

**BEZZERA**

Dal 1901

**BZ10**

**COD. 9942047.05**

**REV. 04 ed.03/25**



TABLE 1 - (up to 30/11/2015)  
BZ10

POS	CODE	DESCRIPTION
1	5964593.02	ASSEMBLY BLACK CHASSIS
2	5373102.01	HEATING ELEMENT PROTECTION
3	7474218	FEET M10 D40X46
4	5073020LW	TRAY COVER STAINLESS
5	5220818	BUSHING D10 X 4.2 OT
6	7817004	SCREW TPS M4X10 DIN 963 A2
7	5963068.02LL	TANK SUPPORT T.PID
8	7816004	SCREW TCEI M4 X 16
9	5074621LW	CUPS-HEATER GRID BZ07 BA
10	5071733LL	BODY STAINLESS STEEL POLISHED
11	7474217	ADHESIVE FEET 12,7 H5,8
12	5340510	DRIP TRAY
13	5074622LW	DRAIN GRID
14	7373009	TANK 3 LT. CAPACITY
15	5125705	SUPPORT

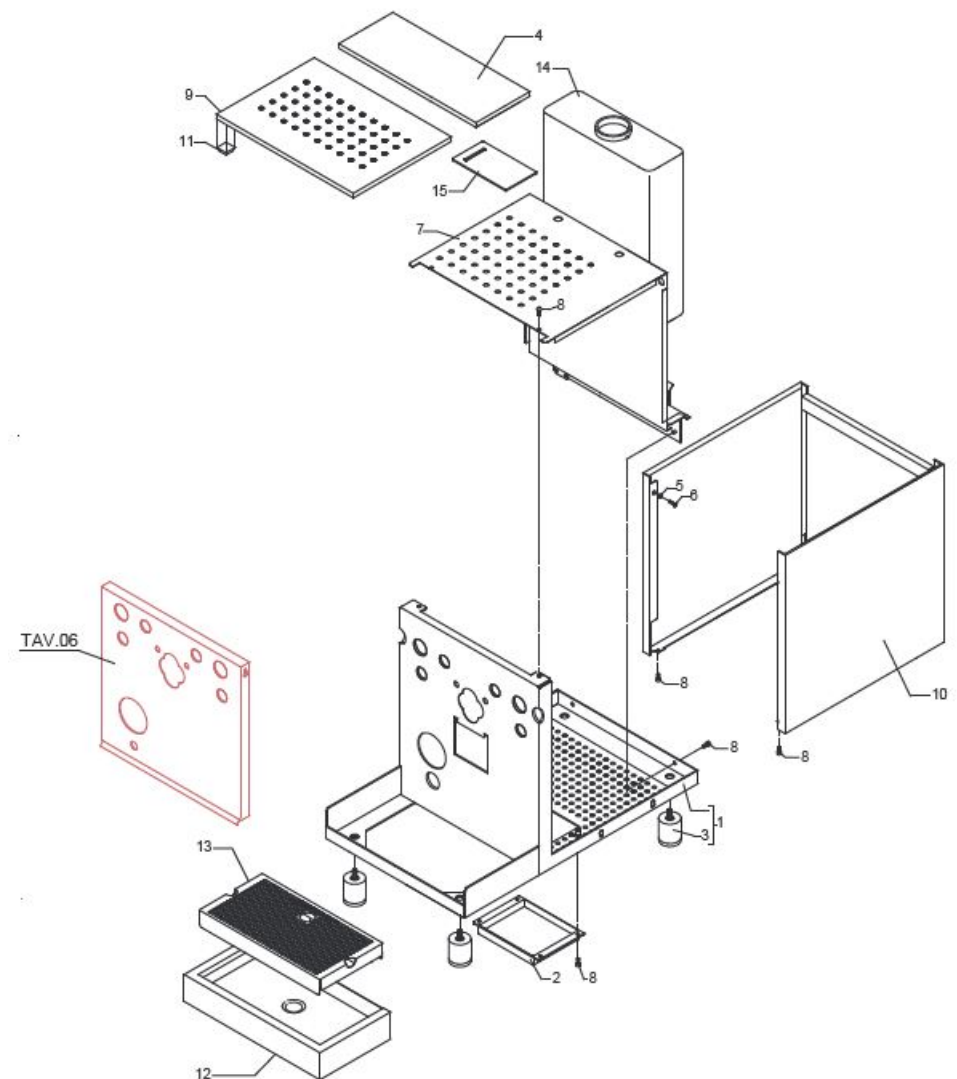
TABLE 1 - (up to 30/11/2015)  
BZ10

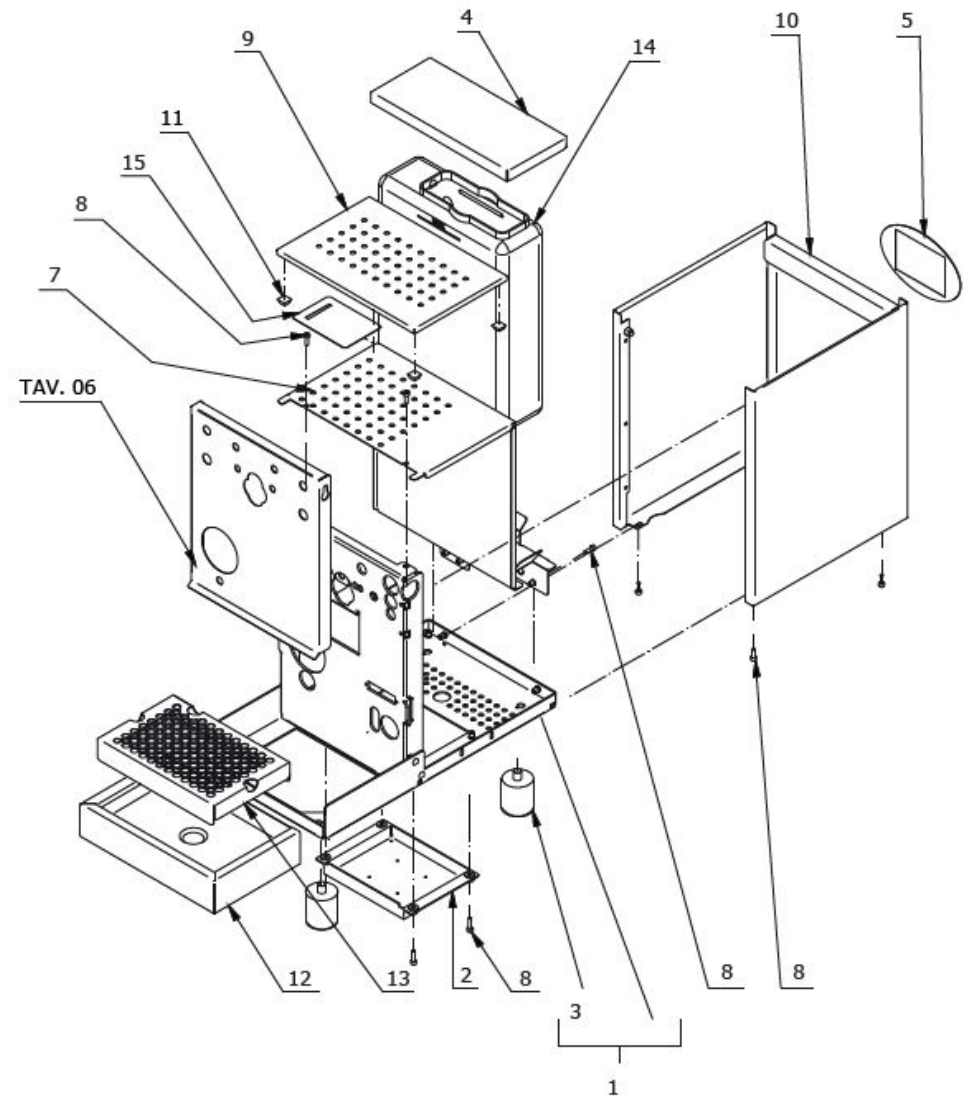
TABLE 1 - (from 01/12/2015 up to 31/12/2019)

BZ10

POS	CODE	DESCRIPTION
1	5964593.03	ASSEMBLY BLACK CHASSIS
2	5373102.01	HEATING ELEMENT PROTECTION
3	7474218	FEET M10 D40X46
4	5073020LW	TRAY COVER STAINLESS
5	5521512	LABLE
7	5963068.03LL	TANK SUPPORT
8	7816004	SCREW TCEI M4 X 16
9	5074621LW	CUPS-HEATER GRID BZ07 BA
10	5071733LL	BODY STAINLESS STEEL POLISHED
11	7474217	ADHESIVE FEET 12,7 H5,8
12	5340510	DRIP TRAY
13	5074622LW	DRAIN GRID
14	7373009	TANK 3 LT. CAPACITY
15	5125705	SUPPORT

TABLE 1 - (from 01/12/2015 up to 31/12/2019)

BZ10



**BEZZERA**

**BZ10**

TABLE 1 - (from 01/01/2020 )  
BZ10

POS	CODE	DESCRIPTION
1	5073020.01LW	TANK COVER BZ07 REDUCED
2	5074621.01LW	CUPS-HEATER GRID
3	7474217	ADHESIVE FEET 12,7 H5,8
4	7816009	SCREW TCEI M4X10 UNI 5931A2
5	5963068.03LL	TANK SUPPORT
6	5054202LL2	GLOSS RED BODY WITH COMPASSES
6	5071733LL	BODY STAINLESS STEEL POLISHED
6	5054202LL3	MATT BLACK BODY WITH COMPASSES
6	5054202LL1	GLOSS WHITE BODY WITH COMPASSES
7	5521512	BEZZERA LABEL
8	5054202LL1R	WHITE BODYWORK W/LOGO + COMPASSES
8	5054202LL2R	GLOSS RED BODYWORK W/LOGO +
8	5054202LL3R	MATT BLACK BODYWORK W/LOGO +
8	5071733LLR	MIRROR BODYWORK W/LOGO + COMPASSES
9	7474218	FEET M10 D40X46
10	5964593.03	CHASSIS COMPLETE
11	5373102.01	HEATING ELEMENT PROTECTION
12	7816004	SCREW TCEI M4X16 A2
13	5340510	DRIP TRAY
14	5261019	WIRED GRID
15	5074449.02SG	FRONT GROUP BZ10 PM

**BEZZERA**

**BZ10**

TABLE 1 - (from 01/01/2020 )  
BZ10

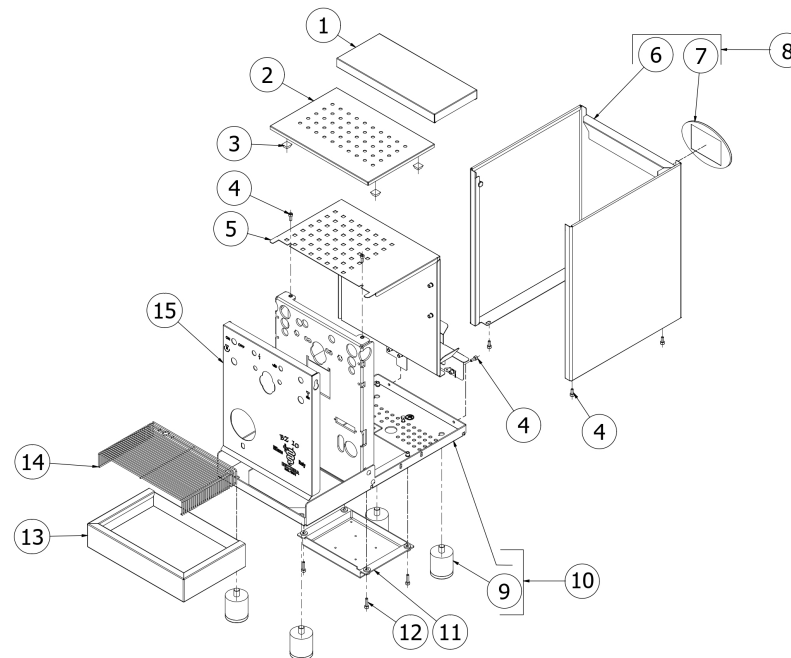


TABLE 2 - (from 01/01/2020 )  
BZ10

POS	CODE	DESCRIPTION
1	5302017AL	FITTING M12 ES16 H26.5 OT57USA
2	5471505	CALIBRATED SPRING D0.45 H22 AISI302
3	5224615AL	GASKET-HOLDER SURP.VALVE OT57USA
4	7496018	OR GASKET 105
5	5283053TP	SURPRESSION VALVE BODY
6	5471019	FILTER D8,5X5 AISI304
7	5493042	GASKET D.11X3
8	5224620AL	GASKET-HOLDER ES.12X6.8 OT57USA
9	5471539	CALIBRATED SPRING D.1,6
10	7496052	OR GASKET 114 VITON
11	5302077AL	FITTING PORT.M14X1 OTXTUBO6X4 OT57U
12	5965212.01AL	ASSY OPV ADJUST. 9/12 BAR
13	5162304LL	EXCHANGER CHARGE PIPE OF BZ07
14	5162303.01LL	BOILER LOAD HOSE BZ07
15	5301504AL	ELBOW FITTING M12X1/8
16	5194571	HOSE D6X4 L=200 SILICONE (R)
17	7303033	FITTING
18	5194610	HOSE 6X4 L=250 SILICONE
19	7702415.01	EV.2 WAY 240V 25BAR SMALL COIL
19	7702322.01	EV.2WAY OLAB 220/230V 25BAR SMALL
19	7701123.01	EV.2 WAY 110V 25BAR SMALL COIL
20	7303006	RUBBER-HOLDER FITTING
21	5194635LL	ASSY TUBE PTFE 4X170
22	7303063TR	ELBOW FITTING BODY 1/8"
23	7496018	OR GASKET 105
24	7452516	SELF-PRIMING VALVE
25	7496085.01	GASKET OR D7.2X1.9 NBR 70SH
26	5225411AL	REDUCTION 1/8
27	7304543TR	FITTING TEE CONICAL 1/8

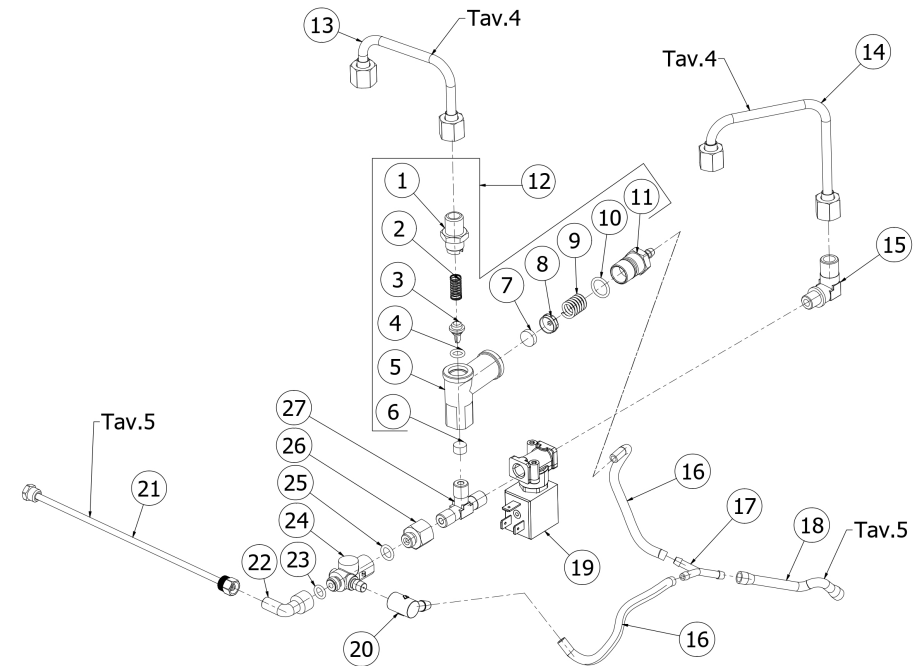
TABLE 2 - (from 01/01/2020 )  
BZ10

TABLE 2 - (up to 18/03/2013)  
BZ10

POS	CODE	DESCRIPTION
1	5283049	SURPRESSION VALVE BODY
2	7496018	OR GASKET 105 VITON
3	5224615TP	GASKET-HOLDER
4	5471506.01	CALIBRATED SPRING D1 H26 AISI 302
5	5471505	SPRING
6	5302017TP	STRAIGHT FITTING M12 H26.5 OT
7	5493001	GASKET D8 X 4 EPT 70SH
8	5224619TP	GASKET-HOLDER
9	7496052	OR GASKET 114
10	5302072	RUBBER-HOLDER FITTING
11	5965165	ASSEMBLY SURPRESSION VALVE 12BAR
12	5221844	NUT 1/8"
13	7304514TR	FITTING
14	7496018	OR GASKET 105 VITON
15	7452512	VALVE
16	7496085	OR GASKET D7.2X1.9 NBR 70SH
17	7304507TR	UNION ELBOW 1/8"
18	5225411TP	FITTING 1/8"
19	5301504TR	UNION ELBOW 1/8"
20	5162303.01LL	BOILER LOAD HOSE
21	7630328	SOLENOID VALVE COIL 220/230V PARKER
21	7630327	SOLENOID VALVE COIL 110V PARKER
21	7630329	SOLENOID VALVE COIL 240V PARKER
22	7702310	SOLENOID VALVE 2 WAY 230V PARKER
22	7701111	SOLENOID VALVE 2 WAY 115V PARKER
22	7702409	SOLENOID VALVE 2 WAY 240V PARKER
23	5194586	HOSE 8X5 L=200 SILICONE
24	7303033	FITTING
25	5194610	HOSE 6X4 L=250 SILICONE
26	5194571	HOSE D6X4X1 L=200 SILICONE

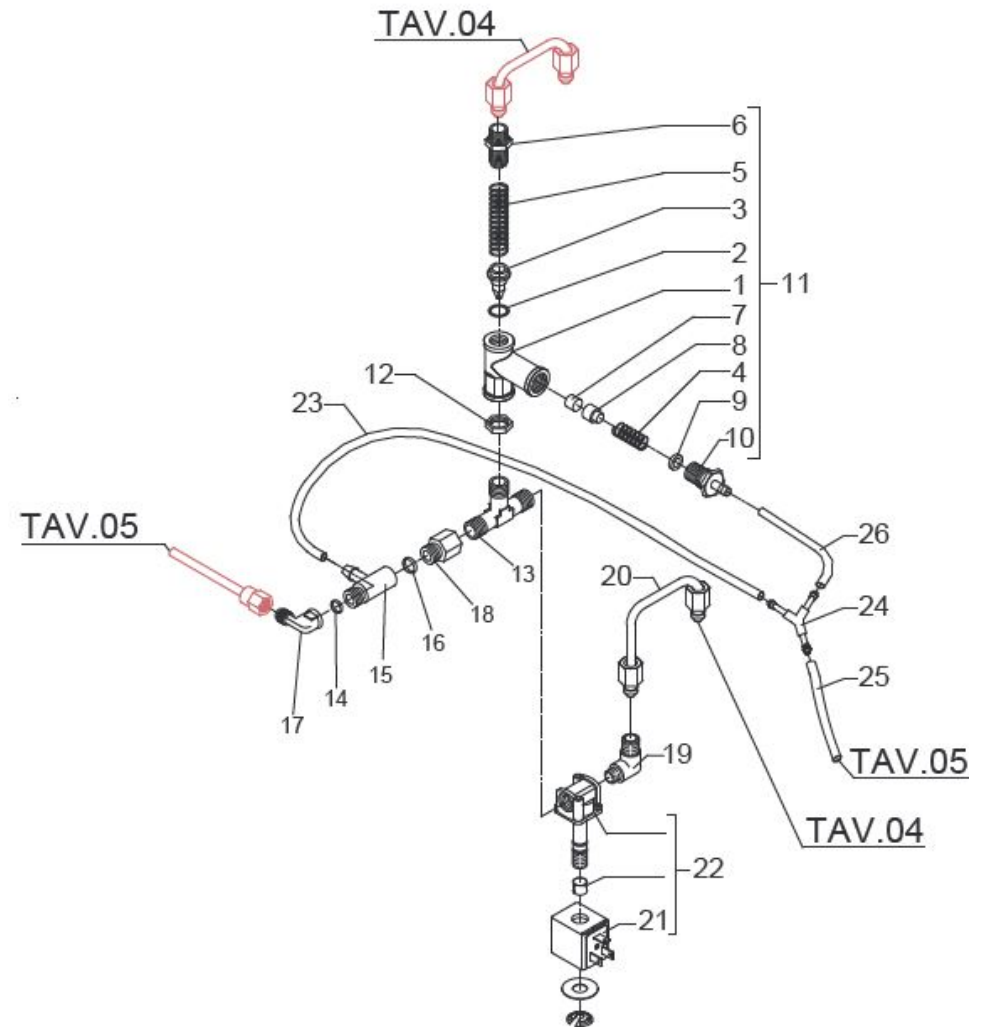
TABLE 2 - (up to 18/03/2013)  
BZ10

TABLE 2 - (from 19/03/2013 up to 31/12/2019)  
BZ10

POS	CODE	DESCRIPTION
1	5283053TP	SURPRESSION VALVE BODY
2	7496018	OR GASKET 105 VITON
3	5224615TP	GASKET-HOLDER
4	5471539	CALIBRATED SPRING D.1,6
5	5471505	SPRING
6	5302017TP	STRAIGHT FITTING M12 H26.5 OT
7	5493042	GASKET D.11X3
8	5224620TP	GASKET-HOLDER
9	7496052	OR GASKET 114
10	5302077TP	RUBBER-HOLDER FITTING
11	5965212.01AL	ASSEMBLY SURPRESSION VALVE 12BAR
12	5221844	NUT 1/8"
13	7304514TR	FITTING
14	7496018	OR GASKET 105 VITON
15	7452512	VALVE
16	7496085	OR GASKET D7.2X1.9 NBR 70SH
17	7303034TR	UNION ELBOW 1/8"
17	7304507TR	UNION ELBOW 1/8"
18	5225411TP	FITTING 1/8"
19	5301504TR	UNION ELBOW 1/8"
20	5162303.01LL	BOILER LOAD HOSE
21	7630328	SOLENOID VALVE COIL 220/230V PARKER
21	7630327	SOLENOID VALVE COIL 110V PARKER
21	7630329	SOLENOID VALVE COIL 240V PARKER
22	7701111	SOLENOID VALVE 2 WAY 115V PARKER
22	7702409	SOLENOID VALVE 2 WAY 240V PARKER
22	7702310	SOLENOID VALVE 2 WAY 230V PARKER
23	5194571	HOSE D6X4X1 L=200 SILICONE
24	7303033	FITTING
25	5194610	HOSE 6X4 L=250 SILICONE

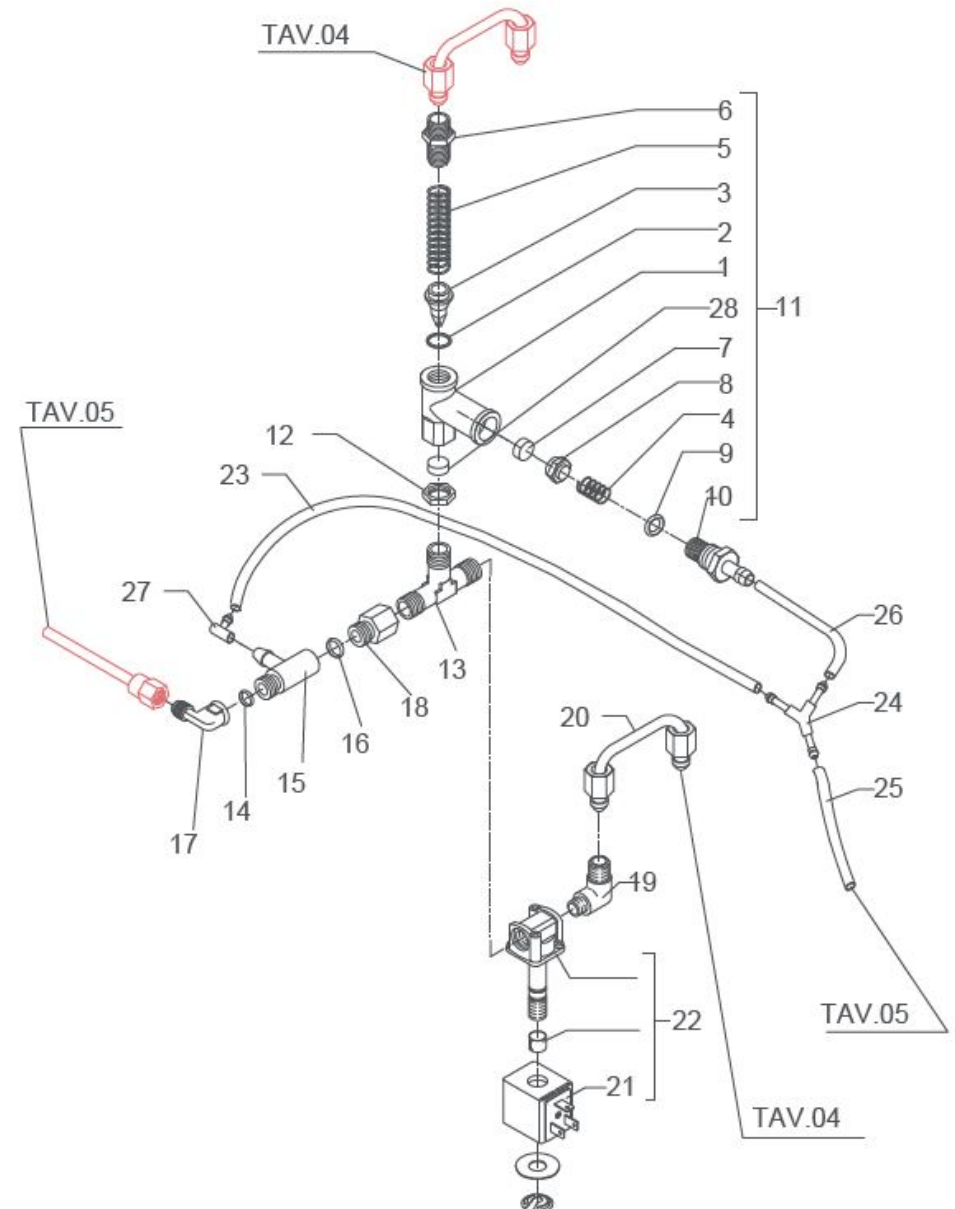
TABLE 2 - (from 19/03/2013 up to 31/12/2019)  
BZ10

TABLE 2 - (from 19/03/2013 up to 31/12/2019)  
BZ10

POS	CODE	DESCRIPTION
26	5194571	HOSE D6X4X1 L=200 SILICONE
27	7303006	RUBBER-HOLDER FITTING
28	5471019	INOX WIRE FILER D8,5X5 AISI304

TABLE 2 - (from 19/03/2013 up to 31/12/2019)  
BZ10

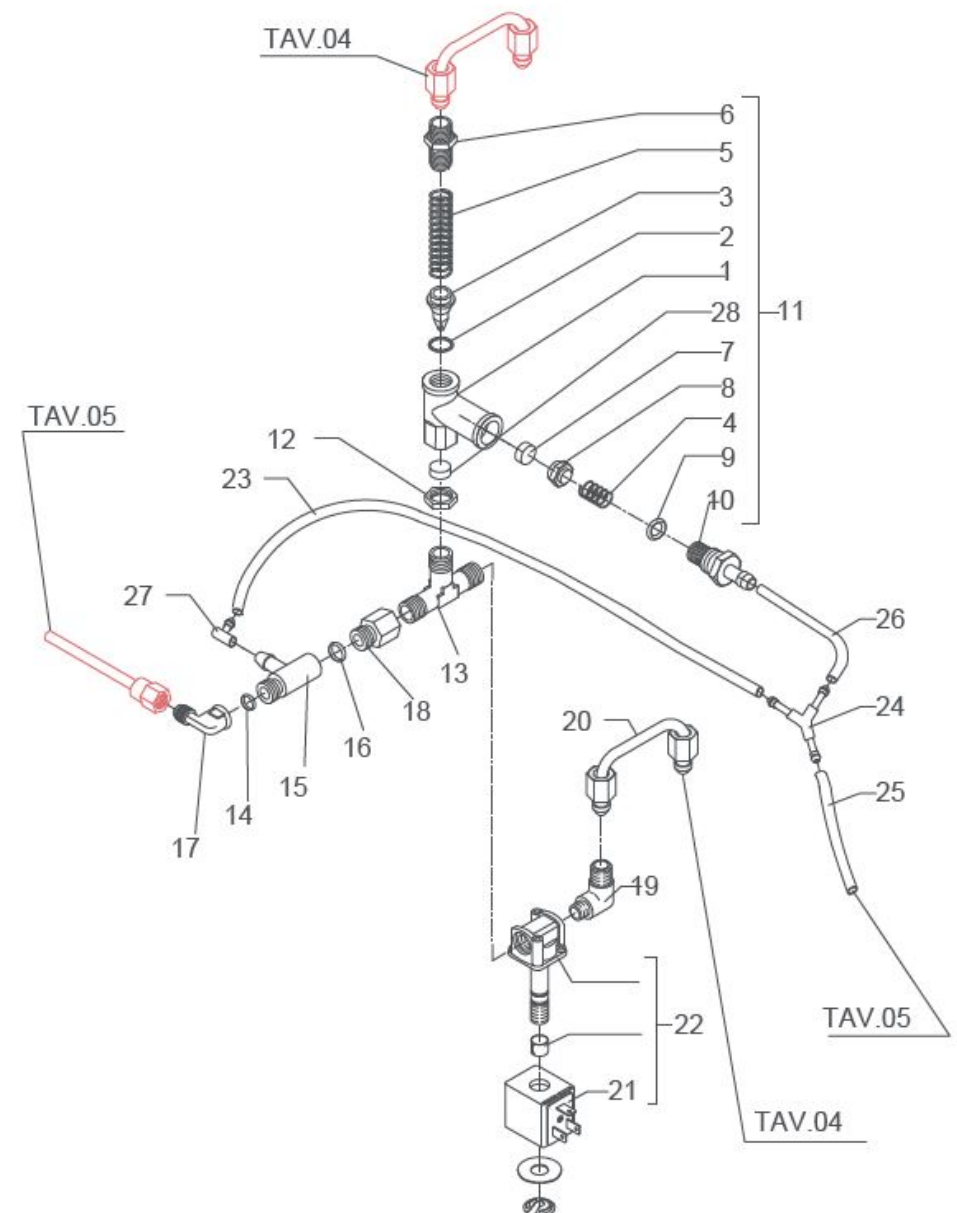




TABLE 3 - (up to 28/01/2014)  
BZ10

POS	CODE	DESCRIPTION
1	7371511.01	LEVER KNOB
2	5222823CM	RING NUT 3/8"
3	5225608	ARTICULATION M8 INOX
4	5260203DL	SHAFT D12X47
5	5471513	SPRING
6	5261801	WASHER D11
7	5494004	GASKET D12 X 6 PTFE GRAPHITIZED
8	5221826CM	NUT 3/8"
9	5283047TW	TAP BODY OT
10	5496042	GASKET D11X4X4 EPT 70 (C6)
11	5224603TP	GASKET-HOLDER
12	5964084AL	ASSEMBLY TAP
13	5225410TP	FITTING M14XM13 H26
15	7496072	OR GASKET 121
16	5471532	SPRING
17	5190501	COMPLETE CUP
18	5221872TW	NUT 3/8"
19	7496073	GASKET OR 115 EP856
20	5225607TW	WATER HOSE CHROMED
21	7496003	OR GASKET 108 VITON
22	5226610TW	WATER HOSE TERMINAL D23.5X18 OT CHROMED
23	5493003	GASKET D20.5X15 H1.5 NBR 70SH
24	5226601TW	WATER HOSE TERMINAL M22 CHROMED
25	7479958	ASSEMBLY STEAM HOSE TERMINAL 4 HOLES
26	7371003	INSULATING
27	7496083	OR GASKET D4.5X1.5 NBR 70
28	7305010	TERMINAL 4 HOLES
29	7305013	TERMINAL 2 HOLES
30	7479975	ASSEMBLY STEAM HOSE TERMINAL 2 HOLES
31	5221872TW	NUT 3/8"

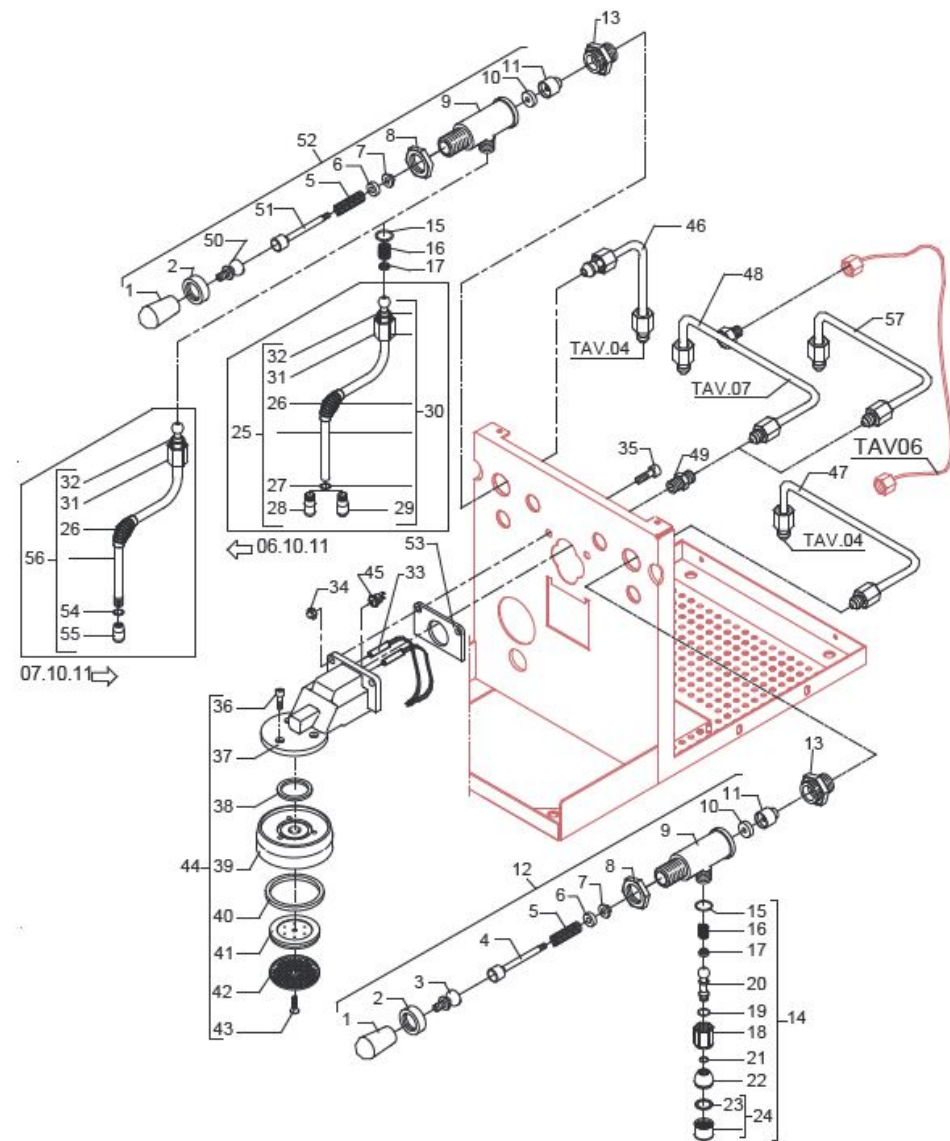
TABLE 3 - (up to 28/01/2014)  
BZ10

TABLE 3 - (up to 28/01/2014)  
BZ10

POS	CODE	DESCRIPTION
32	7496073	GASKET OR 115 EP856
33	5963098.01	ASSEMBLY HEATING ELEMENT 220/240V
33	5963097.01	ASSEMBLY HEATING ELEMENT 110V
34	5221863CM	CAP NUT M8 CHROMED
35	7816014	SCREW M8X20 UNI5931 A2
36	7816001	SCREW TCEI M5X12 UNI5931 A2
37	5283046TW	DELIVERY GROUP BODY
38	7496004	OR GASKET 139
39	5280502TW	COUPLING RING OT CHROMED
40	7493016	GASKET H 9,3 NBR 75SH
41	5285501TP	SHOWER-HOLDER D57
42	5470501	SHOWER D57 AISI 304
43	7817001	SCREW TPS M5X16 A2
44	5963548.01AL	ASSEMBLY DELIVERY GROUP
45	7634808	THERMIC SAFETY DEVICE 250V 95°C AUTOMATIC
46	5162301LL	STEAM TAP HOSE
47	5162310LL	WATER TAP HOSE
48	5162309LL	GROUP-SOLENOID VALVE HOSE WHIT DUAL GAUGE SCALE
49	7304502TR	STRAIGHT FITTING 1/8
50	5225610	ARTICULATION M8 INOX
51	5260204DL	SHAFT D12X47
52	5964085AL	ASSEMBLY TAP
53	7493013	INSULATING
54	7496084	GASKET
55	7305014	TERMINAL 2 HOLES
56	7479990TW	ASSEMBLY STEAM HOSE TERMINAL 2 HOLES
57	5162305LL	GROUP-SOLENOID VALVE HOSE (from 01.01.12)

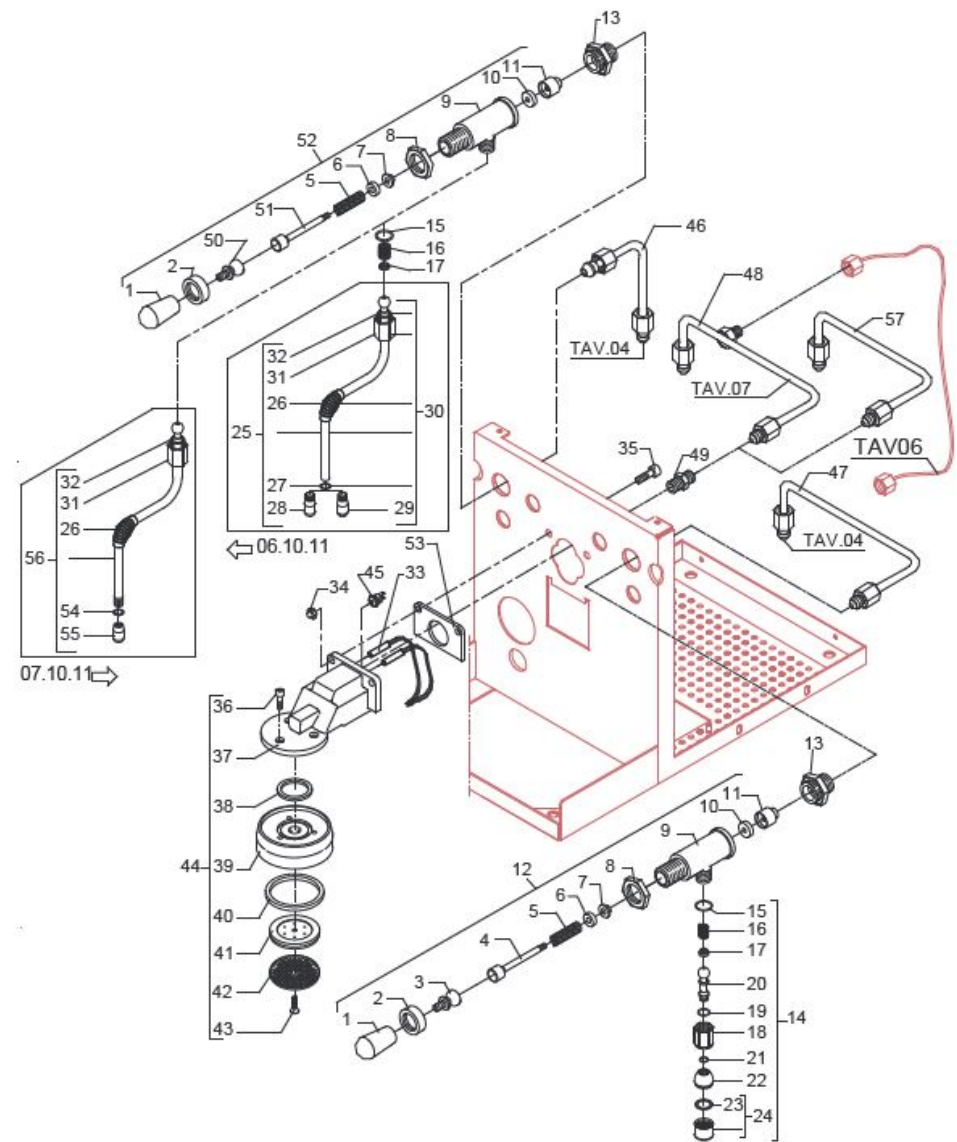
TABLE 3 - (up to 28/01/2014)  
BZ10

TABLE 3 - (from 29/01/2014 up to 31/12/2019)  
BZ10

POS	CODE	DESCRIPTION
1	7371511.01	LEVER KNOB
2	5222823CM	RING NUT 3/8"
3	5225608	ARTICULATION M8 INOX
4	5260203DL	SHAFT D12X47
5	5471513	SPRING
6	5261801	WASHER D11
7	5494004	GASKET D12 X 6 PTFE GRAPHITIZED
8	5221826CM	NUT 3/8"
9	5283055TW	TAP BODY OT FOR OR
10	5496042	GASKET D11X4X4 EPT 70 (C6)
11	5224603TP	GASKET-HOLDER
12	5964084.01AL	ASSEMBLY TAP WITH OR
14	5966548.02AL	ASSEMBLY WATER HOSE
15	7496072	OR GASKET 121
16	5471532	SPRING
17	5190501	COMPLETE CUP
18	5226601TW	WATER HOSE TERMINAL M22 CHROMED
19	5493003	GASKET D20.5X15 H1.5 NBR 70SH
20	7999918	JET-BREAKER AERATOR CARTRIGE
21	7479990.01TW	ASSEMBLY STEAM HOSE TERMINAL 2 HOLES
22	5494017	OR GASKET 115 EP856
23	5221872TW	NUT 3/8"
24	7371003	INSULATING
25	7496084	GASKET
26	7305014	TERMINAL 2 HOLES
33	5963098.01	ASSEMBLY HEATING ELEMENT 220/240V
33	5963097.01	ASSEMBLY HEATING ELEMENT 110V
34	5221863CM	CAP NUT M8 CHROMED
35	7816014	SCREW M8X20 UNI5931 A2
36	7816001	SCREW TCEI M5X12 UNI5931 A2

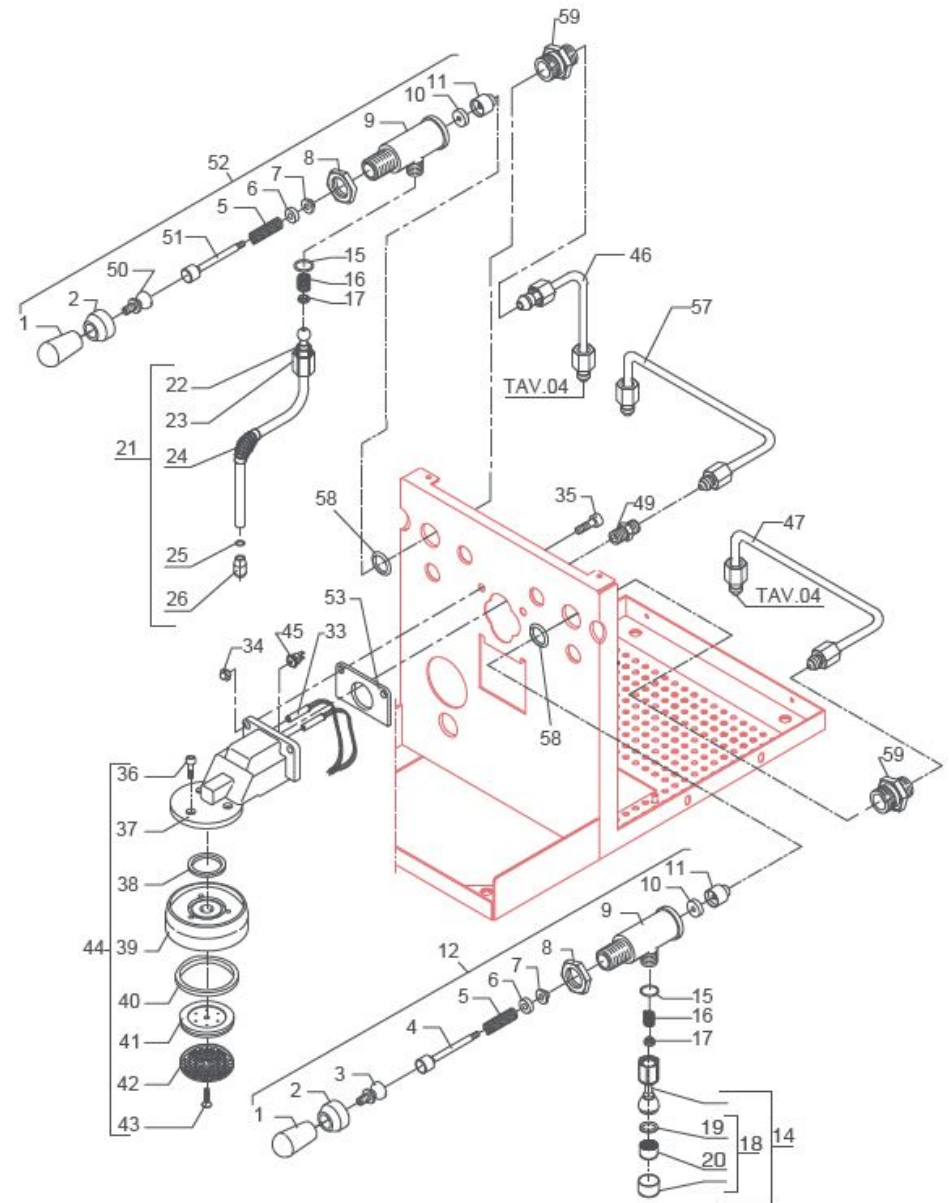
TABLE 3 - (from 29/01/2014 up to 31/12/2019)  
BZ10

TABLE 3 - (from 29/01/2014 up to 31/12/2019)  
BZ10

POS	CODE	DESCRIPTION
37	5283046TW	DELIVERY GROUP BODY
38	7496004	OR GASKET 139
39	5280502TW	COUPLING RING OT CHROMED
40	7496097	OR GASKET 55X8 NBR
41	5285501TP	SHOWER-HOLDER D57
42	5470501	SHOWER D57 AISI 304
43	7817001	SCREW TPS M5X16 A2
44	5963548.02AL	ASSEMBLY DELIVERY GROUP
45	7634808	THERMIC SAFETY DEVICE 250V 95°C AUTOMATIC
46	5162301LL	STEAM TAP HOSE
47	5162310LL	WATER TAP HOSE
49	7304502TR	STRAIGHT FITTING 1/8
50	5225610	ARTICULATION M8 INOX
51	5260204DL	SHAFT D12X47
52	5964085.01AL	ASSEMBLY TAP WITH OR
53	7493013	INSULATING
57	5162305LL	GROUP-SOLENOID VALVE HOSE (from 01.01.12)
58	7496052	OR GASKET 114
59	5225416TP	FITTING M14X1 WHIT OR

TABLE 3 - (from 29/01/2014 up to 31/12/2019)  
BZ10

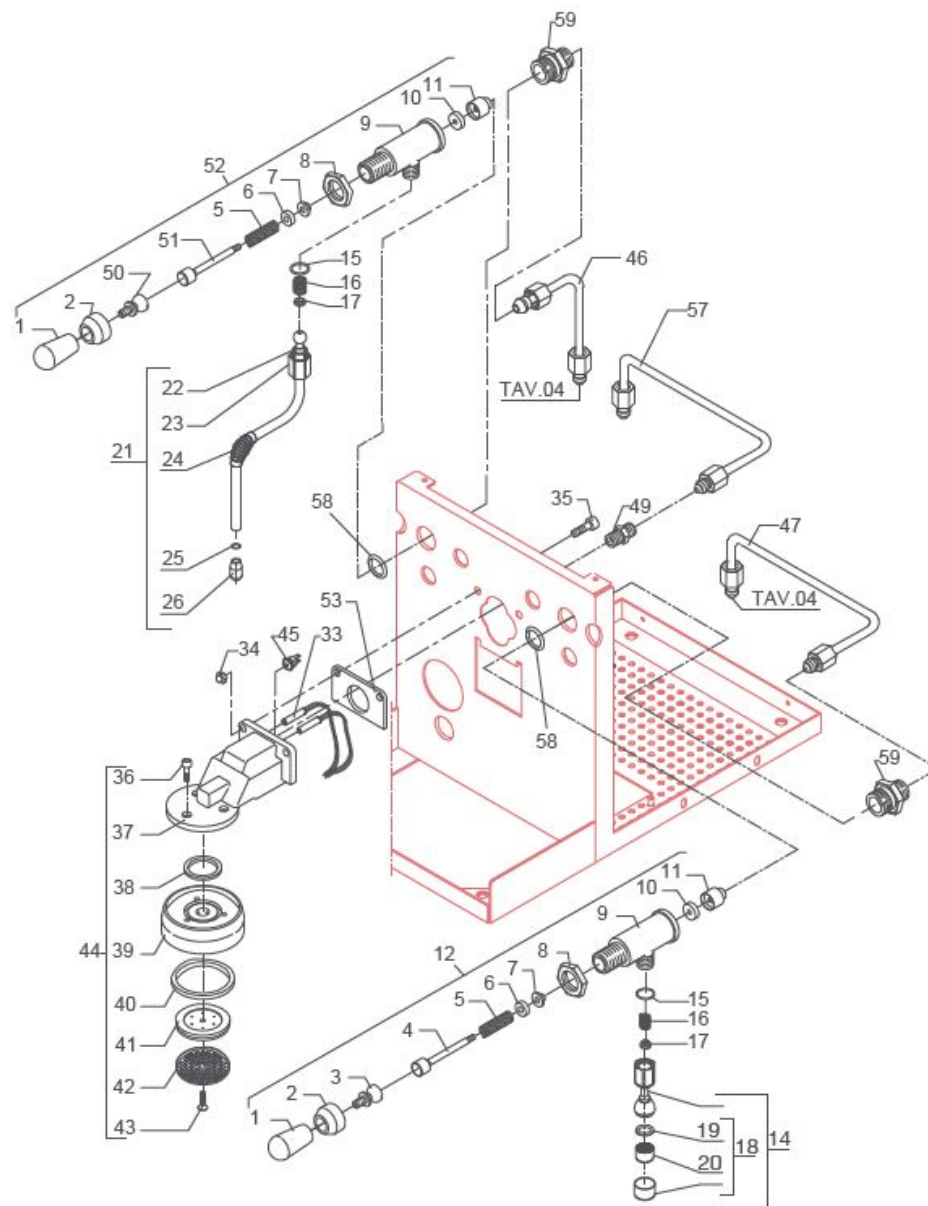


TABLE 3 - (from 01/01/2020 )  
BZ10

POS	CODE	DESCRIPTION
1	7371511.01	BLACK LEVER KNOB I.622/40-M8
2	5262801.01	FERRULE 3/8"G H17 STAINLESS STEEL
3	5225610	ARTICULATED JOINT M8
4	5260204DL	SHAFT D12X47 AISI303 POLISH
5	5471513	SPRING D8 H17 AISI302
6	5261801	WASHER D11
7	5494004	GASKET D12 X 6 PTFE GRAPHITIZED
8	5221826CM	NUT 3/8
9	5283055TW	TAP BODY OT FOR OR
10	5496042	GASKET D11X4X4 EPT 70
11	5224603AL	GASKET HOLDER D12X12 OT57USA
12	5964085.02AL	BZ07 TAP COMPLETE WITHOUT HOOKING
13	5494021	NUT GASKET PTFE H=1,5
14	5471532.01	SPRING FOR ARTICULATION
15	5190501	CUP FOR FITTING PTFE/GLASS
16	7479990.03	STEAM TUBE TERMINAL 2 HOLES SPHERE
18	5966568	WATER TUBE LINEAR SPHERE 14,3
19	5226601TW	WATER HOSE TERMINAL
21	7496052	OR GASKET 114 VITON
22	7493013	GASKET BZ07 GROUP
23	7304502TR	STRAIGHT FITTING 1/8
24	5963182.01	ASSY HEATING ELEMENT CARTRIDGE
25	5221863CM	CAP NUT M8 ES.14 H17 OT CHROMED
26	7816001	SCREW TCEI M5X12 UNI 5931 A2
27	5283059.02TW-AL	BZ GROUP BODY
28	7496004.01	GASKET OR 139 VITON FDA
29	5280502TW-AL	COUPLING RING DENICROMAL
30	7493022	COUPLING RING RED GASKET BZ GROUP
31	5285501AL	SHOWER-HOLDER D57 H7.5 OT60LF
32	5470501	SHOWER D57 AISI 304

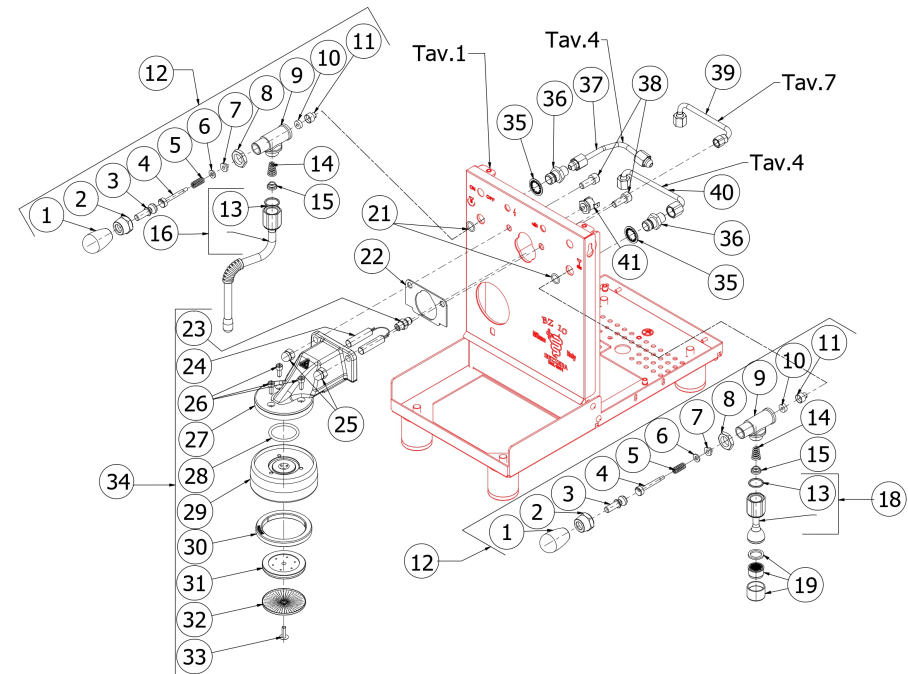
TABLE 3 - (from 01/01/2020 )  
BZ10

TABLE 3 - (from 01/01/2020 )  
BZ10

POS	CODE	DESCRIPTION
33	7809903	SCREWS POLIERS M5X16 A4 AISI316
34	5963575.06	ASSY BZ GROUP W/NEW OR GASKET 220-
35	7814201	WASHER 14 DIN6798J A2
36	5225416.01AL	FITTING M14XM13 ES19 H31 WITHOUT OR
37	5162301LL	STEAM TAP HOSE
38	7816014	SCREW M8X20 UNI5931 A2
39	5162305LL	GROUP-SOLENOID VALVE HOSE
40	5162310LL	COMPLETE WATER TAP LL008
41	7634808	THERMAL SAFETY DEVICE 250V 95°C

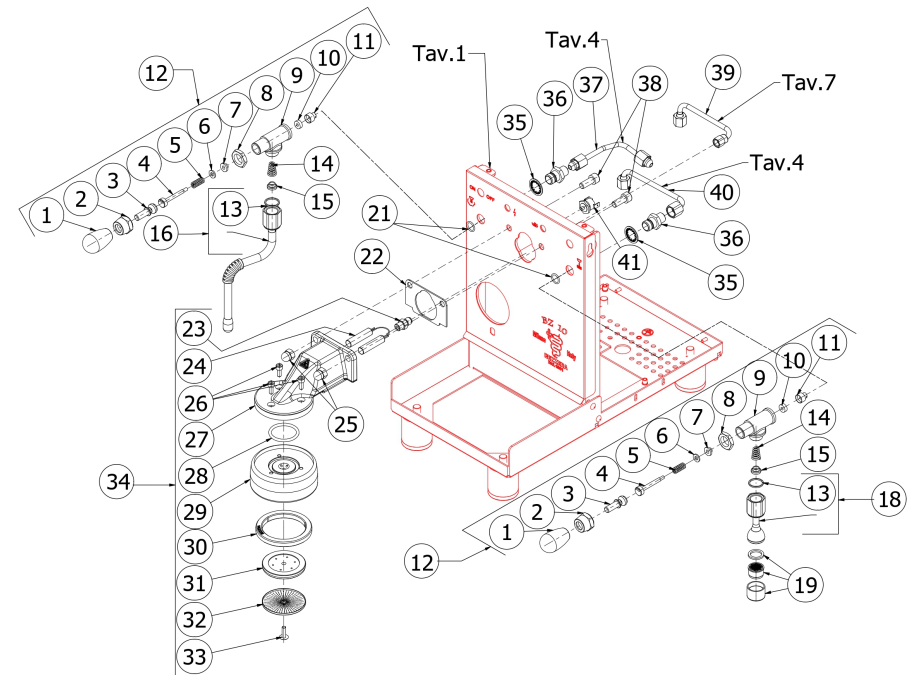
TABLE 3 - (from 01/01/2020 )  
BZ10

TABLE 4  
BZ10

POS	CODE	DESCRIPTION
1	5162185.01LL	EXCHANGER-GROUP SOLENOID VALVE HOSE
2	5192301	SUCTION HOSE D6 L=130MM PTFE
3	5162310LL	WATER TAP HOSE
4	5162304LL	EXCHANGER LOAD HOSE
5	7304502TR	STRAIGHT FITTING 1/8"
6	5329019DC-AL	ASSEMBLY EXCHANGER HOSE POLISHED
7	5302006TP	STRAIGHT FITTING 1/8"
8	5495007	GASKET D32 X 3 BRASS
9	7303033	FITTING
10	5302070TP	FITTING 3/8"
11	7611504	CLAMP
12	5162301LL	STEAM TAP HOSE
13	5162203.02LL	PRESSURE SWITCH HOSE
14	7433016R	PRESSOSTAT + RELAY KIT 110V (up to 16.03.10)
14	7433017R	PRESSOSTAT + RELAY KIT 230V (up to 26.05.10)
14	7433019R	PRESSOSTAT + RELAY KIT 240V (up to 26.05.10)
15	7611504	CLAMP
16	7400901	PRESSURE GAUGE CAPILLARY
17	5194616	HOSE 5X3 L=500 SILICONE
18	7304514TR	FITTING
19	5194549	HOSE D8X5 L=350 SILICONE
20	7433020	PRESSOSTAT COMPOUND 110V (from 17.03.10)
20	7433021	PRESSOSTAT COMPOUND 230V (from 27.05.10)
20	7433022	PRESSOSTAT COMPOUND 240V (from 27.05.10)
21	5301506TR	UNION ELBOW M13X1/4

TABLE 4  
BZ10

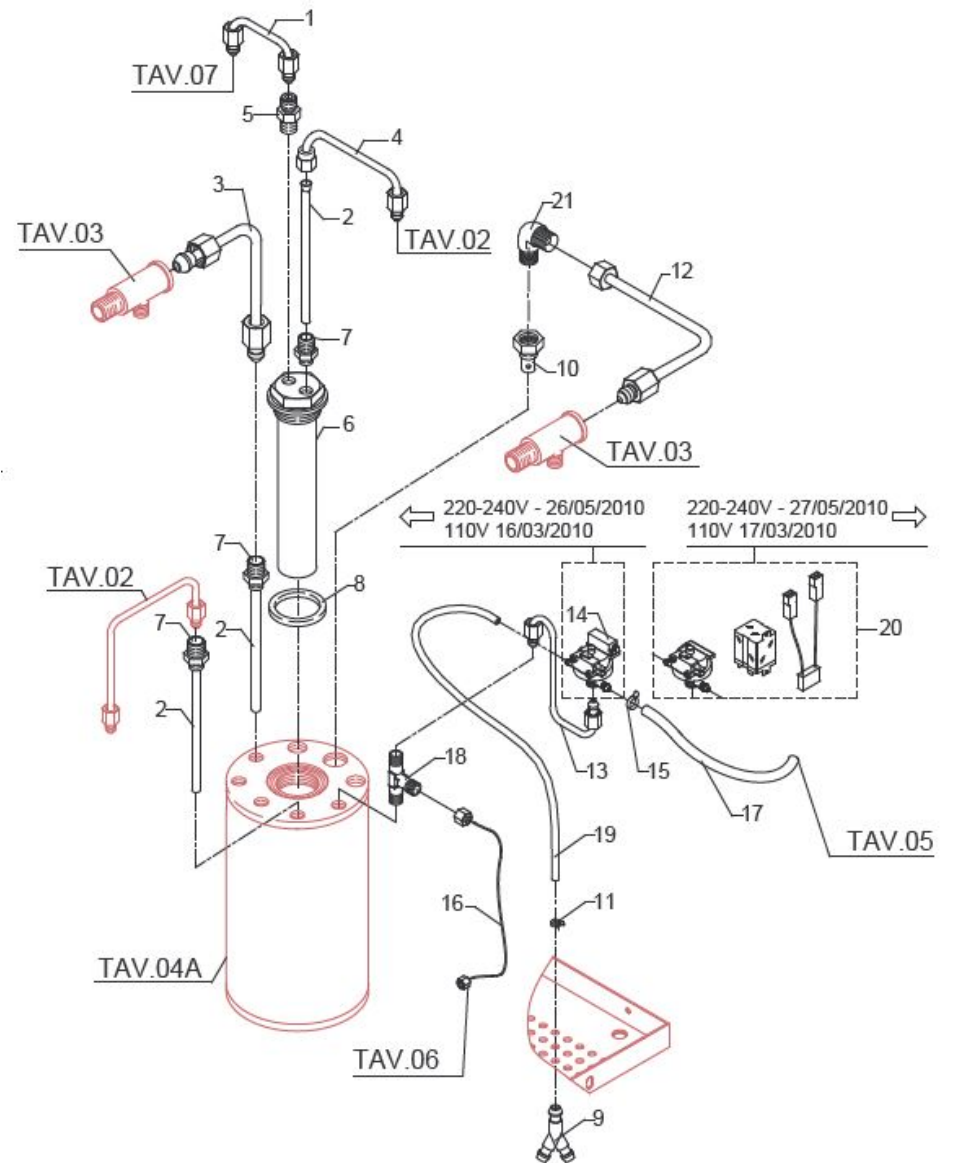


TABLE 4A  
BZ10

POS	CODE	DESCRIPTION
1	5226405TP	PLUG 1/4"
2	7492003	GASKET D6.5
3	5225205	STRAIGHT FITTING M10 OT
4	5192001	PROBE SHEATH D8 X 45 HOLE D3 PTFE
5	5225209TP	STRAIGHT FITTING 1/4"
6	5265804	LEVEL PROBE 1GR D3 X 110 X 6.3
7	7816002	SCREW TCEI M4X12
8	7825003	WASHER D5X1 UNI 6592 OT
9	5320520.01TP-AL	BOILER
10	7816409	SCREW TE M4X8 UNI 5739 A2
11	7496040	OR GASKET D73 X 3 VITON
12	5721007AL	HEATING ELEMENT V100 W1200
12	5722239.01AL	HEATING ELEMENT 220/240V W1100-1300
12	5721128AL	HEATING ELEMENT V110/120 W1200
13	7816422	SCREW TE M6X14 UNI 5739 OT
15	7634819	THERMIC SAFETY DEVICE 250V 130°C
16	7822603	NUT M4
17	5226411TP	PLUG 1/8"
18	7663573	GROUND WIRE
19	7814001	WASHER D4 DIN 6798A A2
20	7826402	SCREW TE M4X16 UNI 5739 OT

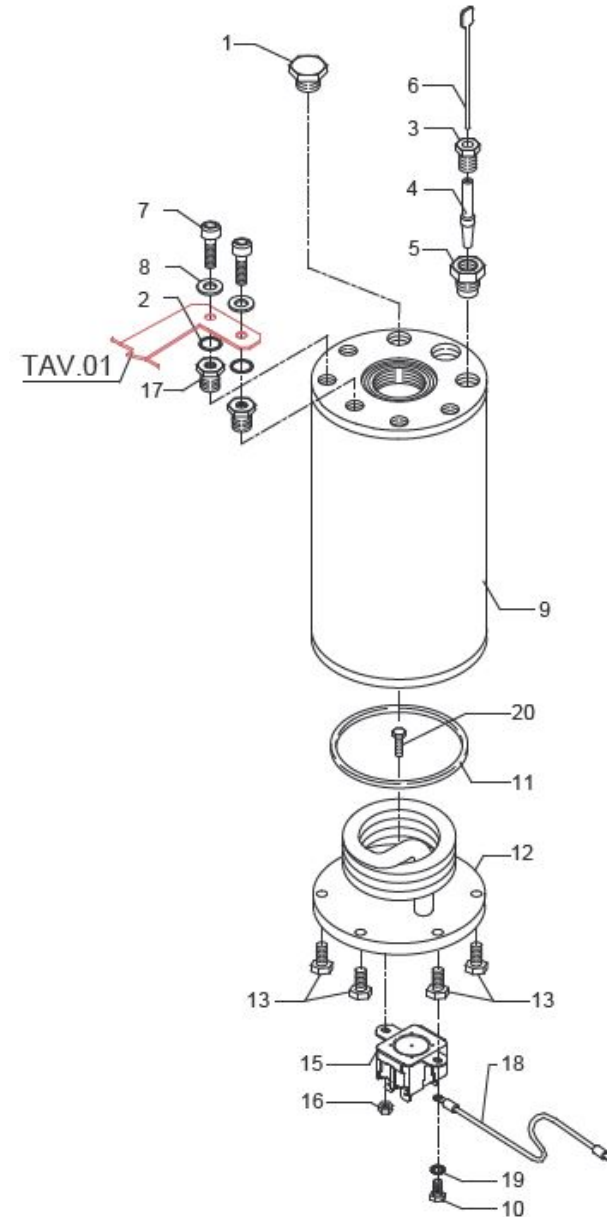
TABLE 4A  
BZ10



TABLE 4B - (from 01/01/2020 )  
BZ

POS	CODE	DESCRIPTION
1	5162304LL	EXCHANGER CHARGE PIPE OF BZ07
2	5162185.02LL	EXCHANGER TUBE/EV.GROUP
3	5192323	PIPE 8 HOLES D1.5
4	5192324	DRAW OUT D6X1 L=100 PTFE
5	5302006AL	FITTING M12X1/8
6	5329019DC-AL	EXCHANGER 2 HOLES L=140 BZ-STREGA
7	5492025	GASKET D42X32X2 PTFE
8	5162310LL	COMPLETE WATER TAP LL008
9	5192301	SUCTION D6X1 L=130MM PTFE
10	5226411TP	PLUG 1/8
11	5226405AL	PLUG 1/4
12	5320520.01BL-AL	BOILER BZ07 WITHOUT LEAD AND NICKEL
13	7496040	OR GASKET D73 X 3 VITON
14	7826402	SCREW TE M4X16 UNI 5739 OT
15	5722239.01AL	HEATING ELEMENT 220/240V-1100/1300W
15	5721128.01AL	HEATING ELEMENT 120V 1200W
15	5721007AL	HEATING ELEMENT 100V 1200W
16	7634819.01	THERMIC PROTECTION 250V 130°C
17	7822603	NUT M4 OT
18	5058474LL	BOILER SUPPORT
19	7816422	SCREW TE M6X14 UNI 5739 OT
20	7663573	GROUND WIRE
21	7814001	WASHER D4 DIN 6798A A2
22	7816409	SCREW TE M4X8 UNI 5739 A2
23	5265804	LEVEL PROBE D3 X 110 X 6.3
24	5225205	STRAIGHT FITTING M10 OT
25	5192001	PROBE SHEATH D8 X 45 HOLE D3 PTFE
26	5225209AL	FITTING M10X1/4
27	5162301LL	STEAM TAP HOSE
28	5302070AL	FITTING 3/8

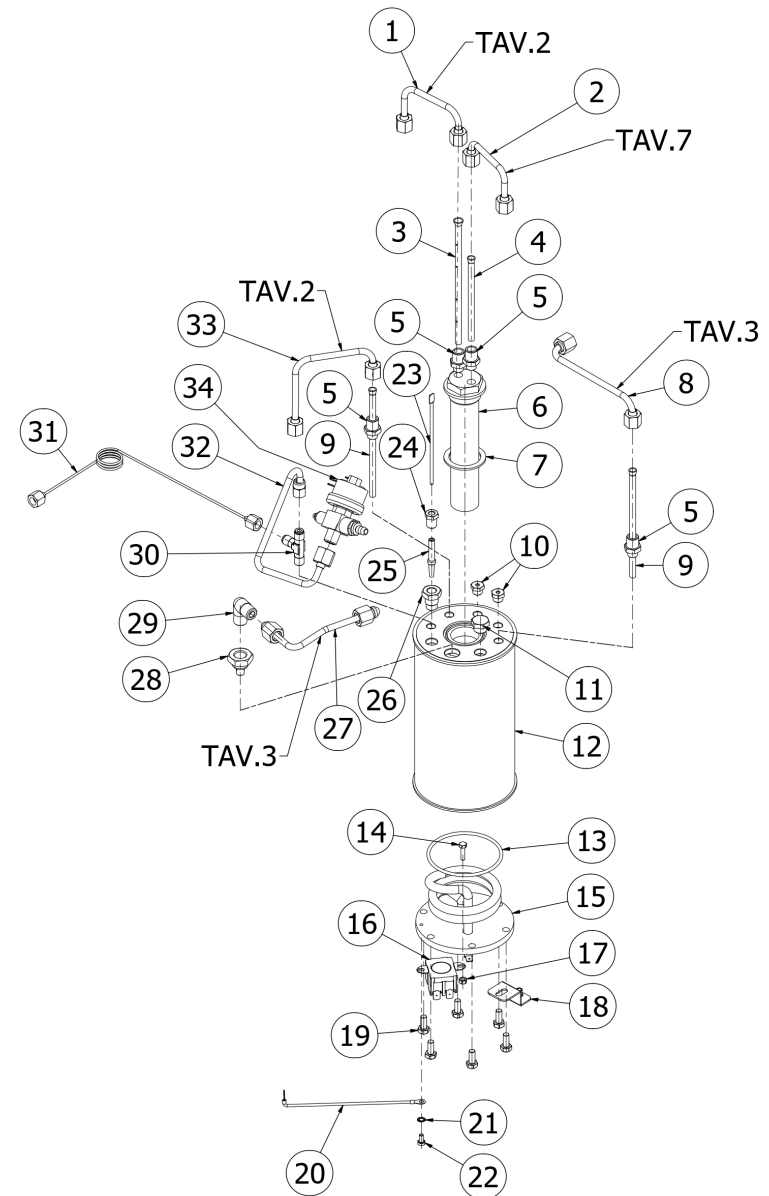
TABLE 4B - (from 01/01/2020 )  
BZ

TABLE 4B - (from 01/01/2020 )  
BZ

POS	CODE	DESCRIPTION
29	5301506TR	UNION ELBOW M13X1/4
30	7304514TR	CONNECTOR TEE BRASS LEAD FREE
31	7400911	BOILER CAPILL.
32	5162203.02LL	PRESSOSTAT PIPE FOR BZ07
33	5162303.01LL	BOILER LOAD HOSE BZ07
34	7433012	PRESSOSTAT XP110+C110P 1,2BAR 15A

TABLE 4B - (from 01/01/2020 )  
BZ

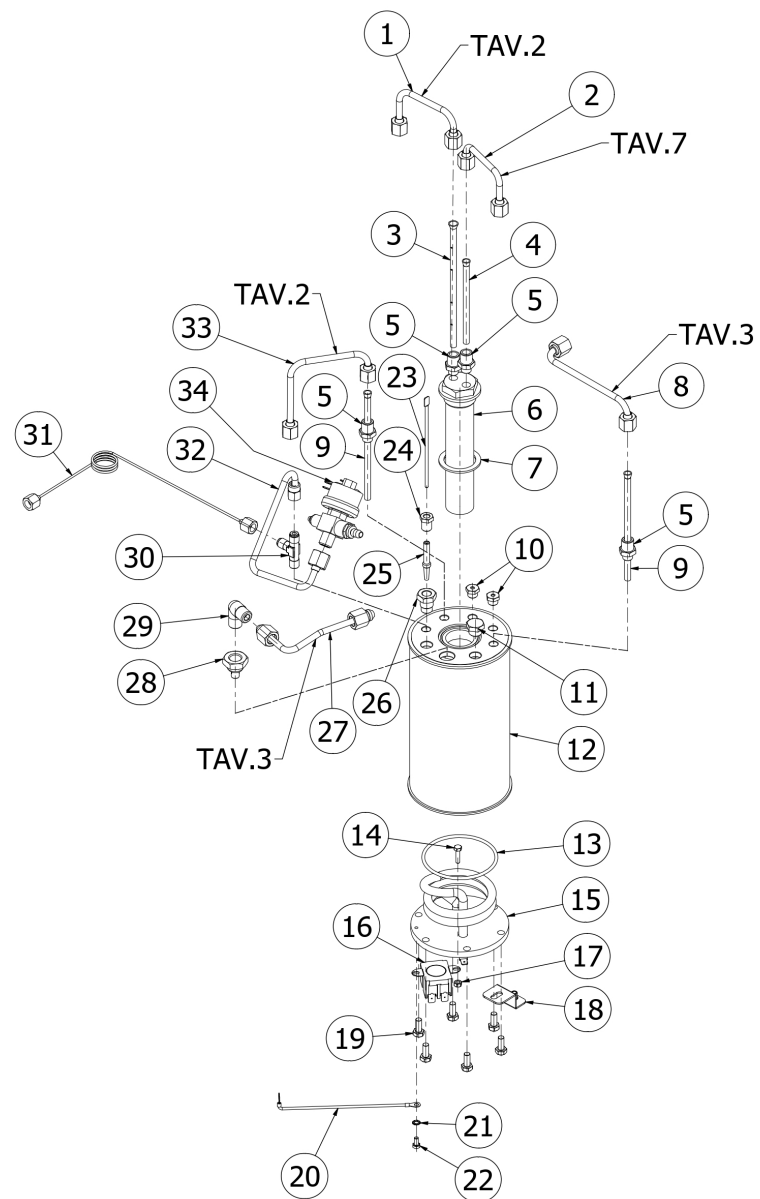


TABLE 5 - (from 01/01/2020 )

POS	CODE	DESCRIPTION
1	7303056	FITTING M 1/8
2	7496023	GASKET OR 106 VITON
3	7470602	VIBRATION-DAMPING
4	7815003	PLAIN WASHER D5 UNI 6592 A2
5	7816004	SCREW TCEI M4X16 A2
6	7731026.01	VIBRATION PUMP OL PLUS 220V 50/60HZ
6	7731023.01	VIBRATION PUMP OL PLUS 230V 50HZ OT
6	7731024.01	VIBRATION PUMP PLUS 120V 60HZ OT57
6	7731027.01	VIBRATION PUMP PLUS 240V 50HZ OT57
6	7731025.01	VIBRATION PUMP OLAB PLUS 100V
7	7634816	THERMIC SAFETY DEV.AUT.PUMP 100°
8	7303006	RUBBER-HOLDER FITTING
9	7303033	FITTING
10	5194616	HOSE 5X3 L=500 SILICONE
11	7374015	WATER FILTER 200 MICRON
12	5194549	HOSE Ø 8x5 SILICONE L=350
13	5194582	HOSE 8X5 L=750 SILICONE
14	5194610	HOSE 6X4 L=250 SILICONE
15	7373009.01	TANK 3 LITERS

TABLE 5 - (from 01/01/2020 )

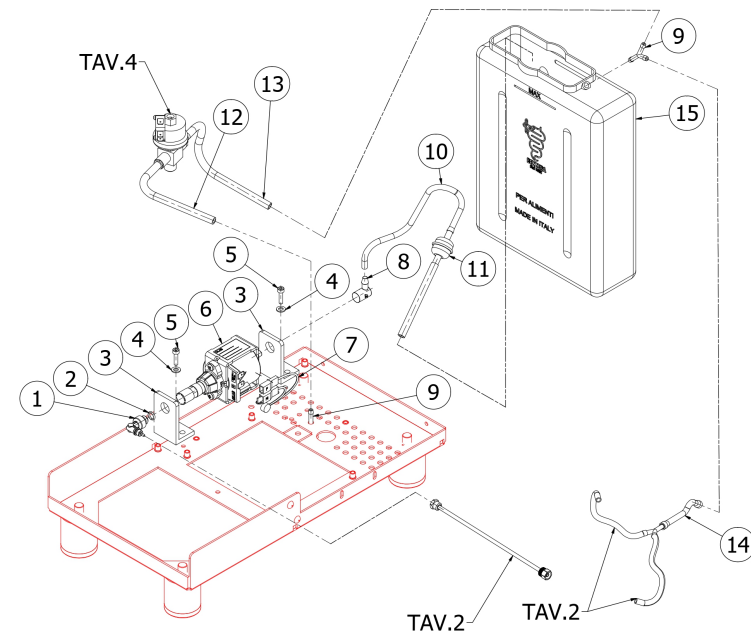


TABLE 5 - (up to 31/12/2019)  
BZ10

POS	CODE	DESCRIPTION
1	5194631.01R	PUMP-SOLENOID VALVE HOSE (up to 13.12.15)
1	5194635	PUMP-SOLENOID VALVE HOSE (from 14.12.15)
2	7611516	CLAMP
3	7303006	RUBBER-HOLDER FITTING
4	5194582	HOSE 8X5 L=750 SILICONE
5	7731018	VIBRATION PUMP EX5 100V C/OR
5	7731022	VIBRATION PUMP EX5 220V 60HZ WITH OR
5	7731020	VIBRATION PUMP EX5 230V WITH OR
5	7731019	VIBRATION PUMP EX5 120V WITH OR
5	7731021	VIBRATION PUMP EX5 240V WITH OR
6	7470602	VIBRATION-DAMPING
7	7303042TR	UNION
8	7805009	PLAIN WASHER D5 X 11 X 1
9	7816004	SCREW TCEI M4 X 16
10	7374015	FILTER
11	5194582R	HOSE WITH FILTER
12	7634816	THERMIC SAFETY DEVICE 100°C AUTOMATIC
13	5225418TP	FITTING 1/8"
14	7496018	OR GASKET 105 VITON

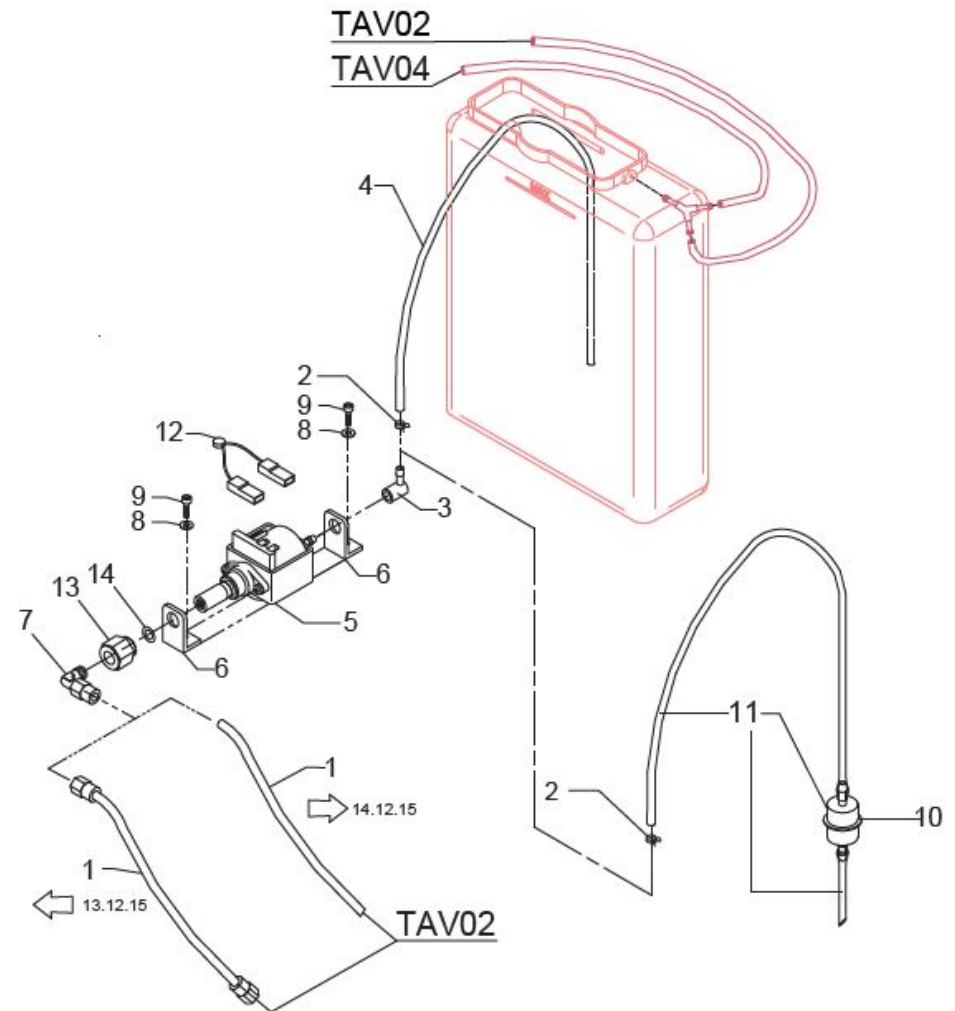
TABLE 5 - (up to 31/12/2019)  
BZ10

TABLE 6 - (up to 30/11/2015)  
BZ10

POS	CODE	DESCRIPTION
1	7633331	BIPOLAR SWITCH
2	7400902	BOYLER-MANOMETER CAPILLARY
3	7612511	CLAMP 3 CONTACTS
4	5074449SG	GROUP FRONTAL
5	7400901	PRESSURE GAUGE CAPILLARY
6	7432524	PRESSURE GAUGE D60 DOUBLE SCALE
7	7826402	SCREW TE M4X16 UNI 5739 OT
8	7633622	GREEN LAMP 110/240V
9	7633621	ORANGE LAMP 110/240V
10	7633907	MICROSWITCH
11	7614007	CABLE-PRESS PG13,5
12	7614006	NUT PG13,5
13	7555001	CABLE WITH SCHUKO PLUG
13	7551001	CABLE WITH USA PLUG 125V 15A
13	7551003	CABLE WITH USA PLUG 250V 20A
13	7552001	CABLE WITH AUSTRALIAN PLUG
13	7555003	CABLE WITH SWITZERLAND PLUG
13	7554001	CABLE WITH ENGLISH PLUG
14	7661039PR	LEVEL REGULATOR 1S 110V
14	7661044PR	LEVEL REGULATOR 1S 220/240V
15	5058433LL	LEVEL REGULATOR SUPPORT
16	7819911	SCREW TTEI M4X25

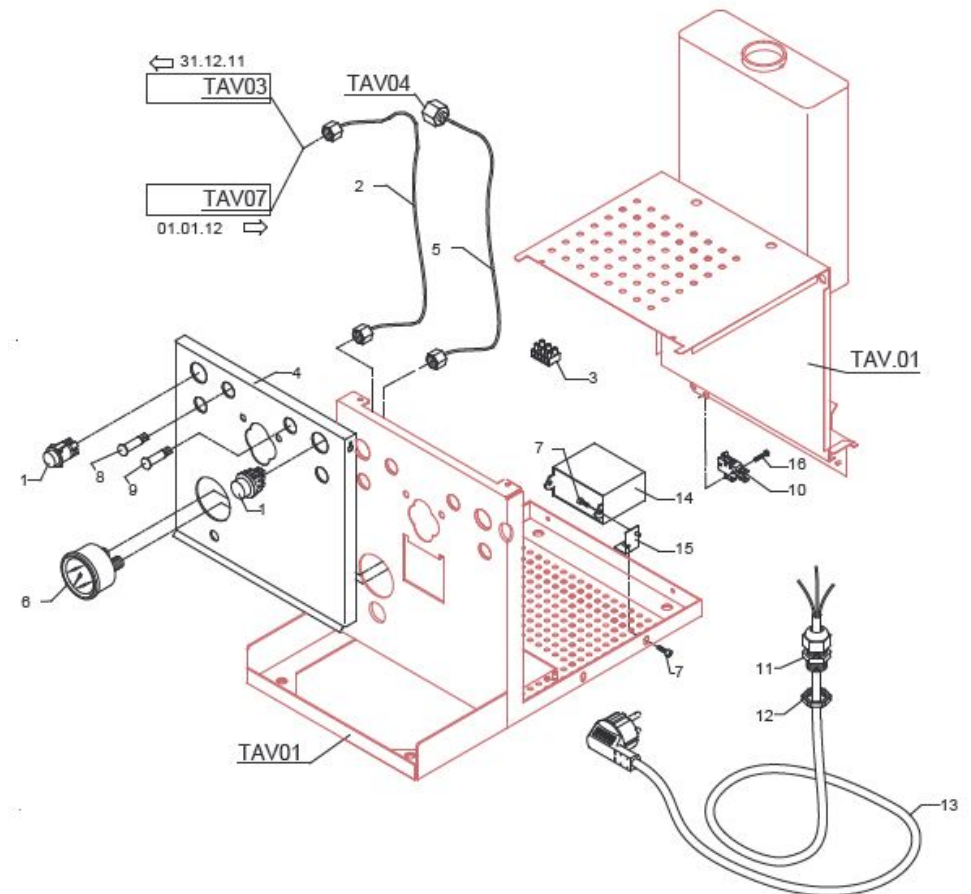
TABLE 6 - (up to 30/11/2015)  
BZ10

TABLE 6 - (from 01/12/2015 up to 31/12/2019)  
BZ10

POS	CODE	DESCRIPTION
1	7633326	BIPOLAR SWITCH LEVER
2	7400902	BOYLER-MANOMETER CAPILLARY
3	7372507	SWTCH PROTECTION PLASTIC
4	5074449.01SG	GROUP FRONTAL
5	7400901	PRESSURE GAUGE CAPILLARY
6	7432524	PRESSURE GAUGE D60 DOUBLE SCALE
7	7826402	SCREW TE M4X16 UNI 5739 OT
8	7633624	GREEN LAMP
9	7633625	ORANGE LAMP
10	7819911	SCREW TTEI M4X25
11	7614007	CABLE-PRESS PG13,5
12	7614006	NUT PG13,5
13	7555001	CABLE WITH SCHUKO PLUG
13	7551001	CABLE WITH USA PLUG 125V 15A
13	7551003	CABLE WITH USA PLUG 250V 20A
13	7552001	CABLE WITH AUSTRALIAN PLUG
13	7555003	CABLE WITH SWITZERLAND PLUG
13	7554001	CABLE WITH ENGLISH PLUG
14	7661037PR	LEVEL REGULATOR 1S 110V
14	7661036.01PR	LEVEL REGULATOR 1S 220V/240V
15	5058433LL	LEVEL REGULATOR SUPPORT
16	7633907	MICROSWITCH
17	7635418	RELAY 16A 110V
17	7635419	RELAY 16A 220/230V
17	7635420	RELAY 16A 240V
18	7663005R	FILTER RC

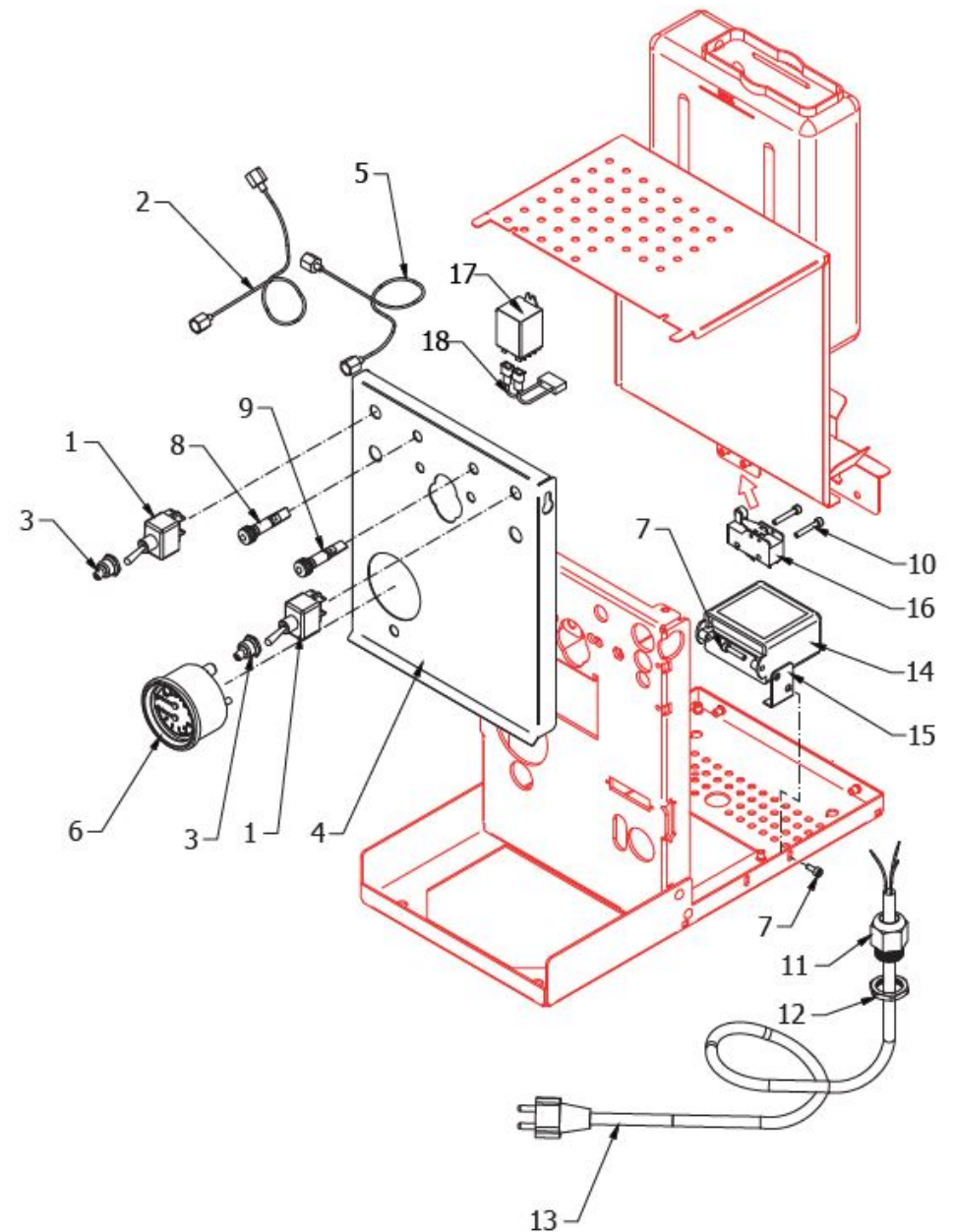
TABLE 6 - (from 01/12/2015 up to 31/12/2019)  
BZ10

TABLE 6 - (from 01/01/2020 )  
BZ10

POS	CODE	DESCRIPTION
1	7432524.03	PRESSURE GAUCE D60 DOUBLE SCALE
2	7633625	ORANGE LAMP
3	7633624	GREEN LAMP
4	7372507	PROTECTION WITH NICKEL NUT IU0598
5	7814201	WASHER 14 DIN6798J A2
6	7633326	BIPOLAR SWITCH LEVER
7	7816019	SCREW TCE M4 X 30 DIN 5931 A2
8	7661006.01R	LEVEL REGULATOR 100/120V 50/60HZ
8	7661007.01R	CONTROL UNIT 220/240V 50/60HZ
9	5058433LL	LEVEL REGULATOR SUPPORT
10	7614007	FAIRLEAD WITH HOLE RUBBER
11	7614006	NUT PG13.5
13	7551001	ELECTRIC CABLE WITH USA PLUG L=1.5M
13	7551003	CABLE WITH USA PLUG 250V 20A
13	7554001	ELECTRIC CABLE WITH ENGLISH PLUG
13	7552001	ELECTRIC CABLE WITH AUSTRALIAN PLUG
13	7555003	SWISS PLUG CABLE H05VV-F 3X1,5 10A
13	7555001	ELECTRIC CABLE WITH SHUKO PLUG
14	7400903	BOILER PRESSURE GAUGE CAPILLARY
15	7400911	BOILER CAPILL.
16	7816017	SCREW TCEI M4X6
17	7635420	RELAIS FINDER 240V 16A 8 PINS
17	7635418	RELAY FINDER 110V 16A
17	7635419	RELAY 16A 220/230V
18	7633907	MICROSWITCH G31 L
19	7819911	SCREW TTEI M4X25 INOX
20	5125705	CONTACT MICRO PLATE TANK SUPPORT

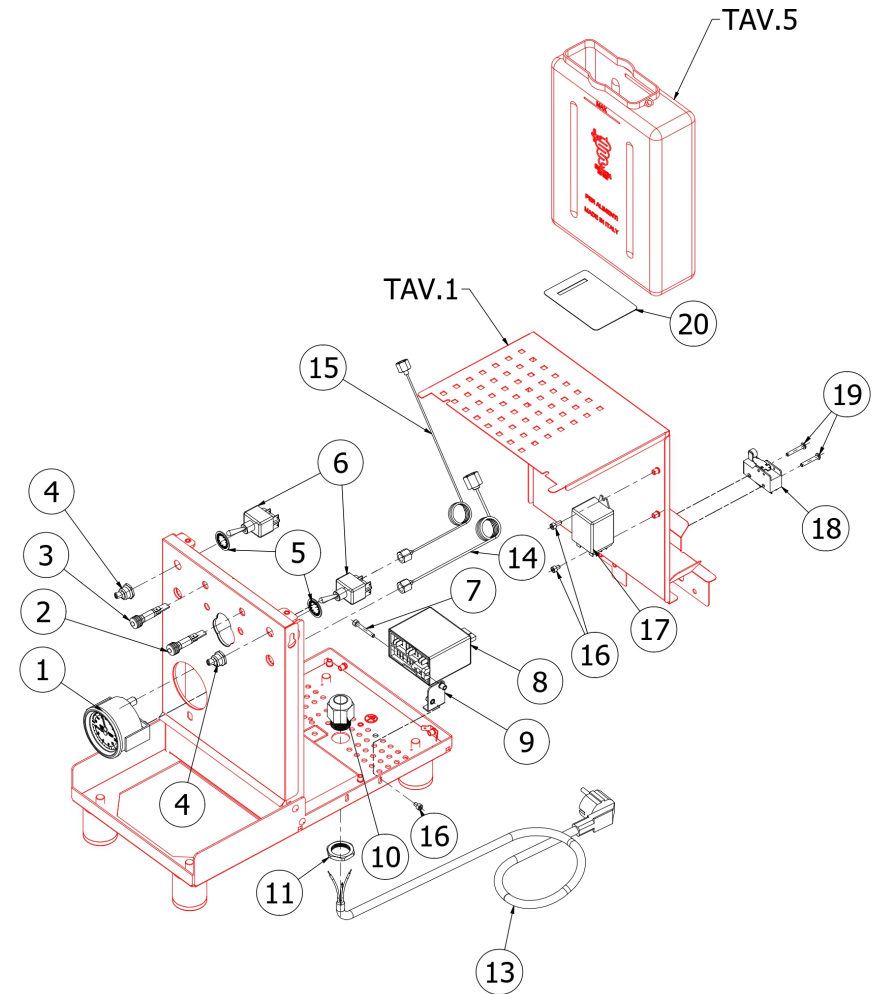
TABLE 6 - (from 01/01/2020 )  
BZ10





TABLE 7 - (up to 31/12/2011)  
BZ10

POS	CODE	DESCRIPTION
1	5223005TP	JET M6 X 6 HOLE D1.2 OT
2	5301504TR	UNION ELBOW 1/8"
3	7815001	WASHER D10 UNI 6592 A2
4	7702316	SOLENOID VALVE 3 WAY 230V ODE
4	7702411	SOLENOID VALVE 3 WAY 240V ODE
4	7701117	SOLENOID VALVE 3 WAY 115V ODE
6	5194560LL	SOLENOID VALVE DRAIN HOSE
7	5221844	NUT 1/8"
8	5283018CM	DRAIN FITTING FOR SURPRESSION VALVE 1/8•G CHROMED

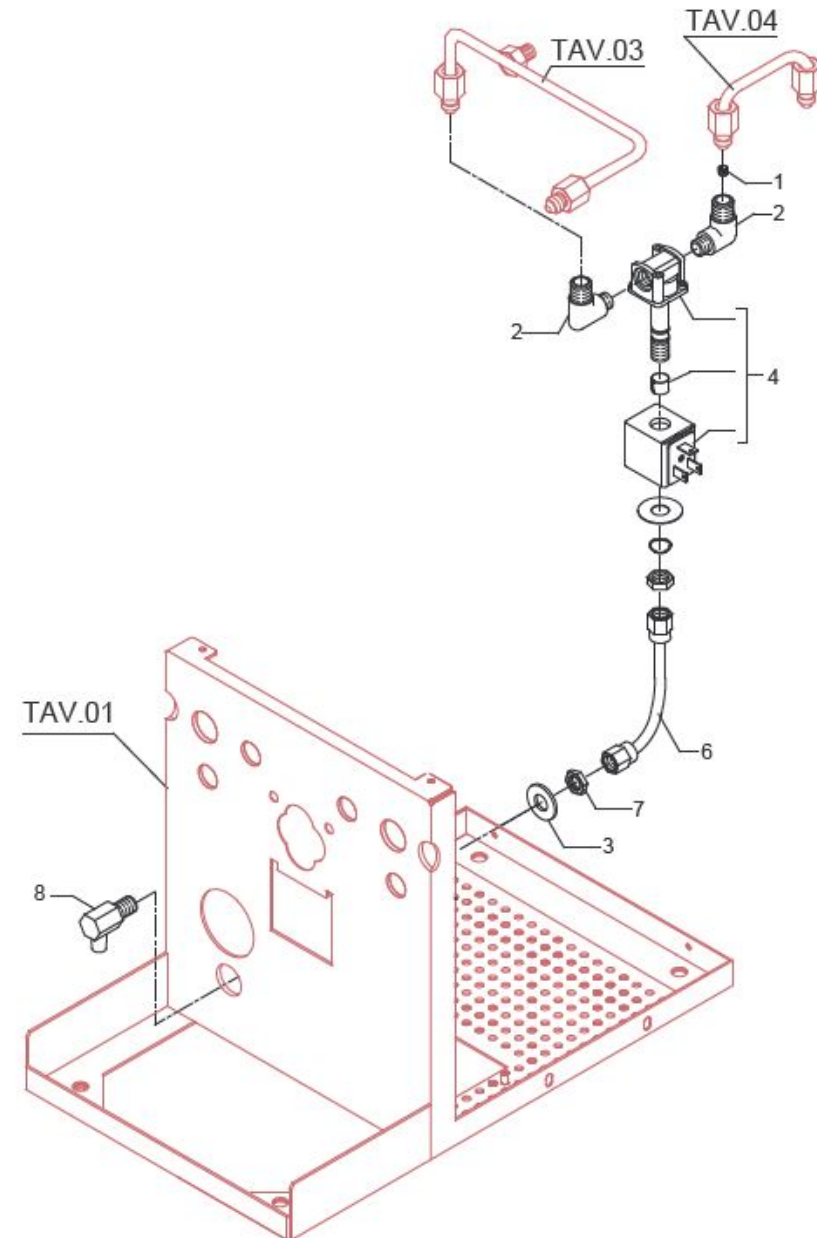
TABLE 7 - (up to 31/12/2011)  
BZ10

TABLE 7 - (from 02/04/2013 up to 31/12/2019)

BZ10

POS	CODE	DESCRIPTION
1	5223005TP	JET M6 X 6 HOLE D1.2 OT
2	5300513TR	UNION
3	7815001	WASHER D10 UNI 6592 A2
4	7701112	SOLENOID VALVE 3 WAY 115V PARKER
4	7702311	SOLENOID VALVE 3 WAY 230V PARKER
4	7702410	SOLENOID VALVE 3 WAY 240V PARKER
6	5194559LL	SURPRESSION VALVE HOSE
7	5221844	NUT 1/8
8	5283018CM	DRAIN FITTING FOR SURPRESSION VALVE 1/8•G CHROMED
10	5301504AL	ELBOW FITTING M12X1/8" G OT57USA

TABLE 7 - (from 02/04/2013 up to 31/12/2019)

BZ10

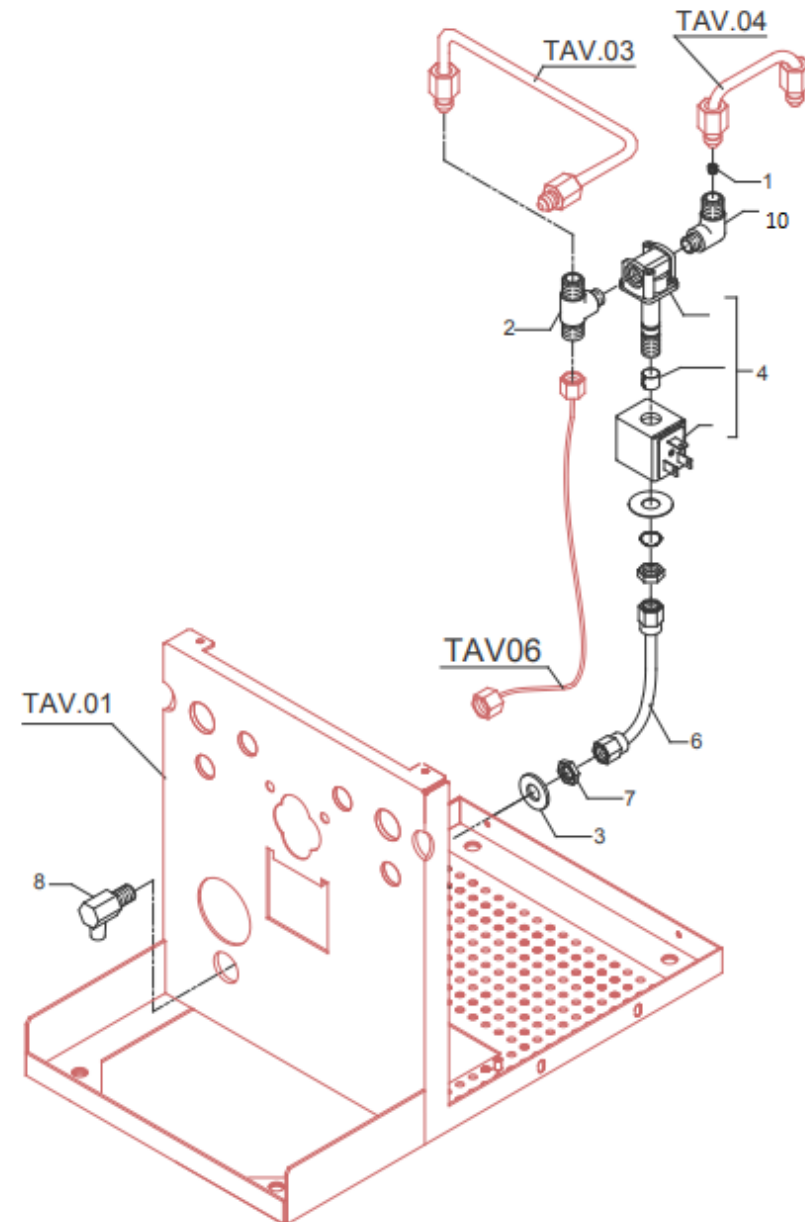


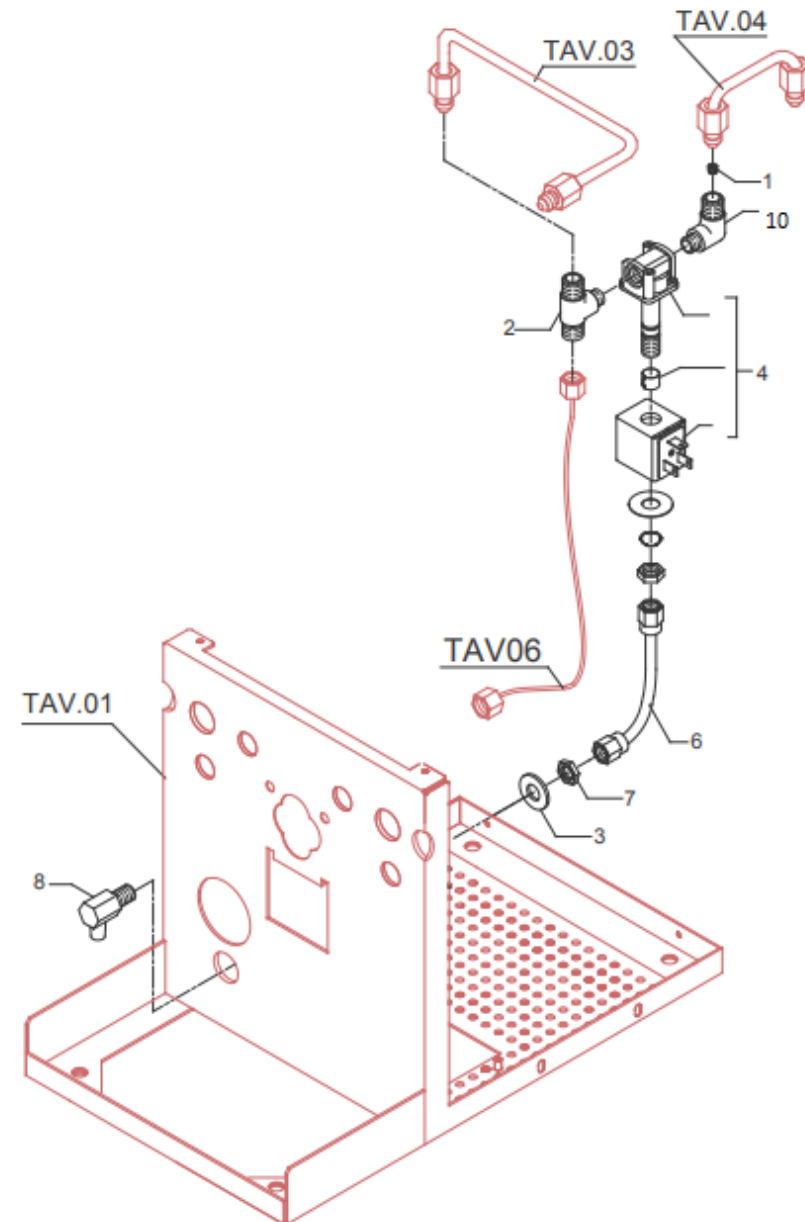
TABLE 7 - (from 01/01/2012 up to 01/04/2013)

BZ10

POS	CODE	DESCRIPTION
1	5223005TP	JET M6 X 6 HOLE D1.2 OT
2	5300513TR	UNION
3	7815001	WASHER D10 UNI 6592 A2
4	7702316	SOLENOID VALVE 3 WAY 230V ODE
4	7702411	SOLENOID VALVE 3 WAY 240V ODE
4	7701117	SOLENOID VALVE 3 WAY 115V ODE
6	5194560LL	SOLENOID VALVE DRAIN HOSE
7	5221844	NUT 1/8"
8	5283018CM	DRAIN FITTING FOR SURPRESSION VALVE 1/8•G CHROMED
10	5301504AL	ELBOW FITTING M12X1/8" G OT57USA

TABLE 7 - (from 01/01/2012 up to 01/04/2013)

BZ10



**BEZZERA****BZ10**TABLE 8 - (up to 31/12/2019)  
BZ10

POS	CODE	DESCRIPTION
1	5373001	COFFEE-PRESS
2	5372101	MEASURER
3	7990603	CLEANING BRUSH
4	5471021.01	FILTER 2 CUPS 16 GRAMS AISI 304 WITH RUN CHANNEL
4	5471035	FILTER 2 CUPS 20 GRAMS AISI 304 WITH RUN CHANNEL
5	5471031.01	FILTER 1 CUP 10 GRAMS WITH RUN CHANNEL
6	5471003	BLIND FILTER
7	5471527	FILTER-HOLDER SPRING D1.2 AISI 302
8	5286016TW	FILTER-HOLDER
9	7288505TW	SPOUT 1 WAY SHORT
10	7288501TW	SPOUT 2 WAY SHORT
11	7371502	KNOB POLISHED
12	5373915CM	KNOB CHROME CAP
13	5965603R	ASSEMBLY FILTER-HOLDER 1 CUP
14	5965604R	ASSEMBLY FILTER-HOLDER 2 CUPS

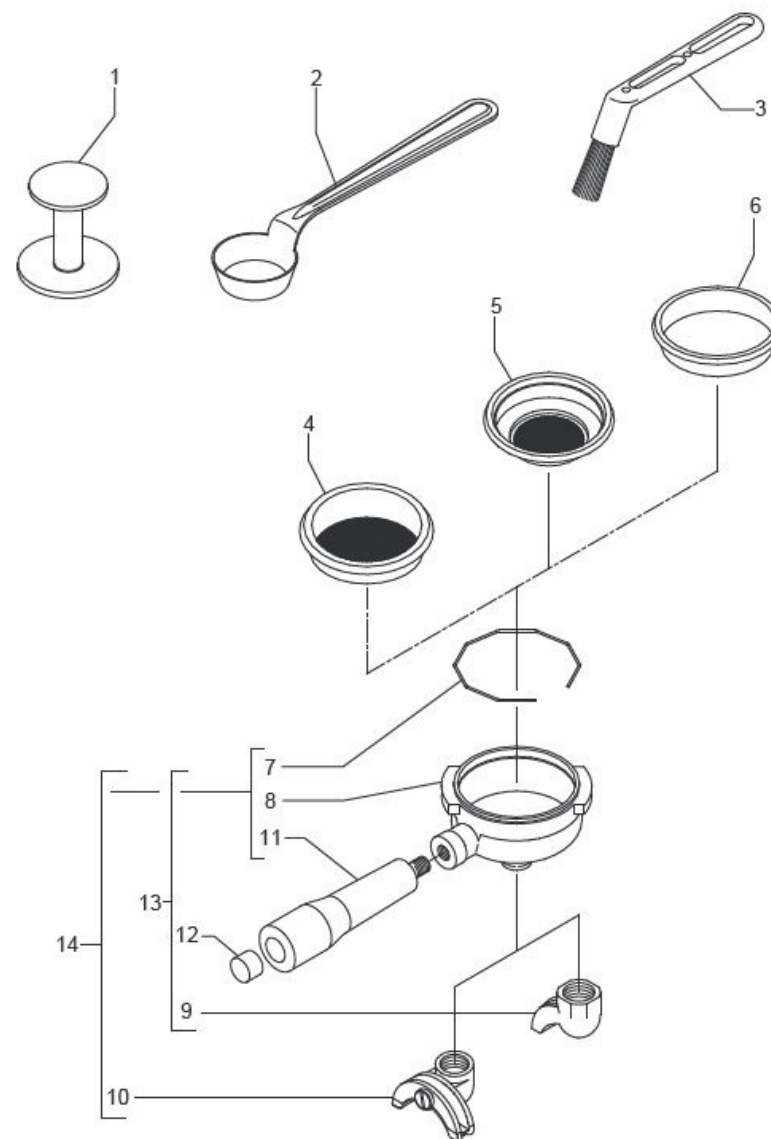
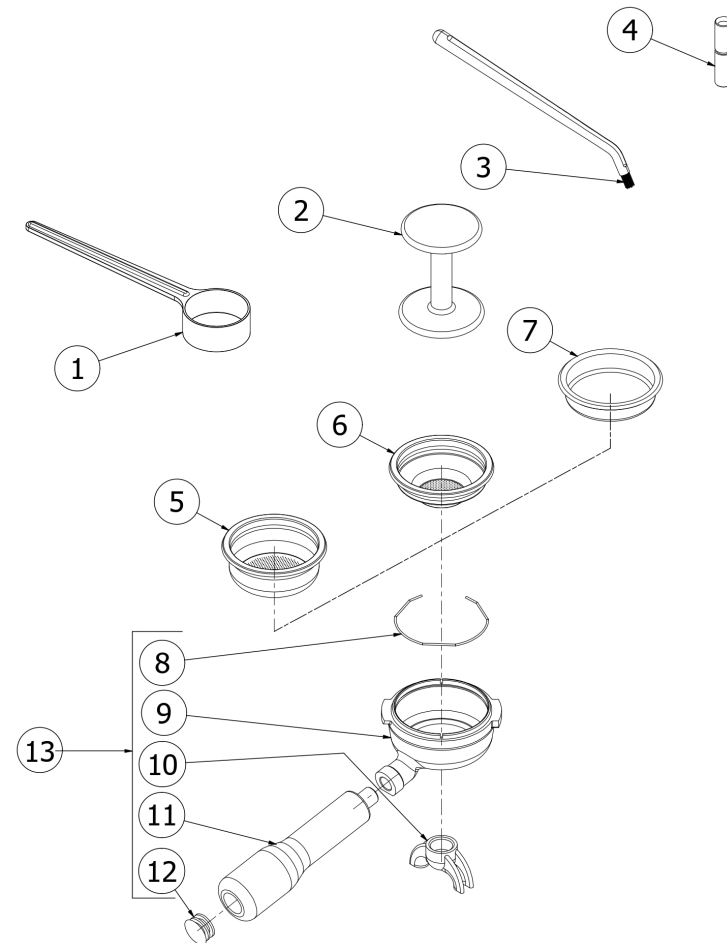
**BEZZERA****BZ10**TABLE 8 - (up to 31/12/2019)  
BZ10

TABLE 8 - (from 01/01/2020 )  
BZ10

POS	CODE	DESCRIPTION
1	5372101	BLACK MEASURE
2	5373001	COFFEE-PRESS ABS
3	7990603	CLEANING BRUSH FOR COFFEE MACHINE
4	5262002.01	EXTENSION WIRED GRID
5	5471035	FILTER 2 CUPS 20 GRAMS
6	5471031.01	FILTER 1 CUP 10 GRAMS
7	5471038	BLIND FILTER AISI304
8	5471527	FILTER-HOLDER SPRING D1.2 AISI 302
9	5286016TW	FILTER-HOLDER TILTED HANDLE BZ
10	7288501TW	SPOUT 2 WAY SHORT
11	7371502	FILTER-HOLDER KNOB
12	5373915CM	FILTER-HOLDER PLUG D16.5
13	5965604.01R	FILTER-HOLDER COMPLETE 2 CUPS

TABLE 8 - (from 01/01/2020 )  
BZ10



G.BEZZERA S.R.L.  
MACCHINE PER CAFFE' ESPRESSO  
Via Luigi Bezzera,1  
20088 Rosate - Milano - Italy  
Tel. +39 02 90848102 r.a. - Telefax +39 02 90870287  
Web: [www.bezzera.com](http://www.bezzera.com)  
e-mail: [admin@bezzera.it](mailto:admin@bezzera.it)