

BEZZERA

Dal 1901

M80A

COD. 9942078

REV. 02 ed.03/25



TABLE 1 - (from 26/01/2023)
M80A

| POS | CODE | DESCRIPTION |
|-----|-------------|---|
| 1 | 0Q160146 | HOPPER LID 1,5 Kg |
| 1 | 0Q160064 | HOPPER LID 150 g |
| 1 | 0Q160145 | HOPPER LID 250 g - 500 g - 1,2 Kg |
| 2 | 0Q160080 | HOPPER 1,2 Kg WITH SHUTTER |
| 2 | 0Q160165 | HOPPER 250 g WITH SHUTTER |
| 2 | 0Q180287 | HOPPER 150 g |
| 2 | 0Q160076 | HOPPER 1,5 Kg WITH SHUTTER |
| 2 | 0Q160087 | HOPPER 500 g WITH SHUTTER |
| 3 | 0Q160063 | HOPPER SHUTTER |
| 4 | 0Q240021 | GRIND SELECTION LABEL Q50 - M80 (FROM JULY 2022) |
| 4 | 0Q240023 | GRIND SELECTION LABEL Q50 - M80 (SINCE JUNE 2022) |
| 5 | 0Q170195 | ADJUSTMENT RING NUT M80 |
| 6 | 0Q260015 | BURR SET Ø 63 mm FOOD FRIENDLY |
| 7 | 0Q170090 | BURR HOLDER M80 |
| 8 | 0QRMT800021 | BURR HOLDER M80 FULL SET |
| 9 | 0Q160062 | STOPPER PIN |
| 10 | 0Q230013 | STOPPER SPRING |
| 11 | 0Q210015 | ON/OFF SWITCH |
| 12 | 0Q170044 | FILTER-HOLDER FORK M80/A - M80/M - M80/TM |
| 13 | 0Q150066 | CAPACITOR 35MF (MOT. 110V) |
| 13 | 0Q150044 | CAPACITOR 35MF (MOT. 110V) ETL |
| 13 | 0Q150063 | CAPACITOR 16MF (MOT. 230V) |
| 14 | 0Q260005 | ROTOR BEARING 6202 |
| 15 | 0Q270006 | MOTOR M80 380V |
| 15 | 0Q270004 | MOTOR M80 110V |
| 15 | 0Q270003 | MOTOR M80 230V |
| 16 | 0Q150073 | CABLE WITH SCHUKO PLUG 230V |
| 16 | 0Q150082 | THREE-PHASE CABLE (380V WITHOUT PLUG) |
| 16 | 0Q150076 | CABLE WITH USA PLUG 110V |
| 16 | 0Q150077 | CABLE WITH UK PLUG |

TABLE 1 - (from 26/01/2023)
M80A

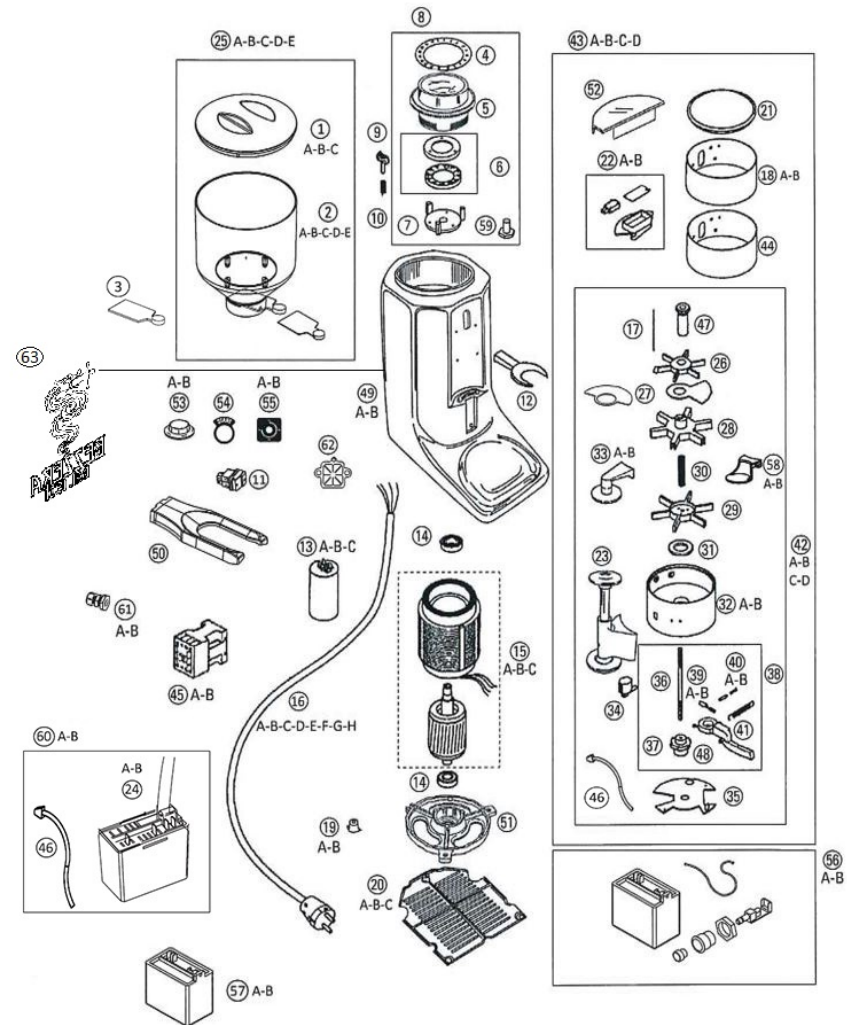


TABLE 1 - (from 26/01/2023)
M80A

| POS | CODE | DESCRIPTION |
|-----|-------------|--|
| 16 | 0Q150078 | CABLE WITH AUS PLUG |
| 16 | 0Q150052 | CABLE WITH BRA PLUG |
| 16 | 0Q150111 | CABLE WITH CH PLUG |
| 16 | 0Q150121 | CABLE WITH IS PLUG |
| 17 | 0Q130091 | MIXER ROD M80 - Q13 |
| 18 | 0Q170174 | DOSER UPPER RING M80/A |
| 18 | 0Q170176 | DOSER UPPER HOLE WITHOUT HOLE M80/M - M80/TM |
| 19 | 0Q160119 | RUBBER FOOT |
| 19 | 0Q160118 | RUBBER FOOT |
| 20 | 0Q170455 | BOTTOM PLATE M80 |
| 20 | 0Q170438 | BOTTOM PLATE M80 |
| 20 | 0Q160200 | BOTTOM PLATE M80 |
| 21 | 0Q160064 | DOSER LID M80 - Q13 |
| 22 | 0QRMT800002 | MICRO SWITCH SET M80 - Q13 |
| 22 | 0QRMT800004 | MICRO SWITCH SET ETL M80 |
| 23 | 0QRMT800023 | TELESCOPIC TAMPER |
| 24 | 0Q130147 | POWER 6 SHOT SYSTEM 230V |
| 24 | 0Q130149 | POWER 6 SHOT SYSTEM 110V |
| 25 | 0QRMT800015 | HOPPER 1,2 Kg FULL SET |
| 25 | 0QRMM800008 | HOPPER 500 g FULL SET |
| 25 | 0QRMM800017 | HOPPER 250 g FULL SET |
| 25 | 0QRMSR00016 | HOPPER 150 g FULL SET |
| 25 | 0QRMT480001 | HOPPER 1,5 Kg FULL SET |
| 26 | 0Q160072 | MIXER M80 - Q13 |
| 27 | 0Q180495 | DOSER SHEET M80 - Q13 |
| 28 | 0Q160071 | UPPER STAR M80 - Q13 |
| 29 | 0Q160070 | LOWER STAR M80 - Q13 |
| 30 | 0Q230023 | REGULATION SPRING M80 - Q13 |
| 31 | 0Q160065 | ROUND PLASTIC WASHER M80 - Q13 |
| 32 | 0Q170092 | DOSER SUPPORT M80 - Q13 |

TABLE 1 - (from 26/01/2023)
M80A

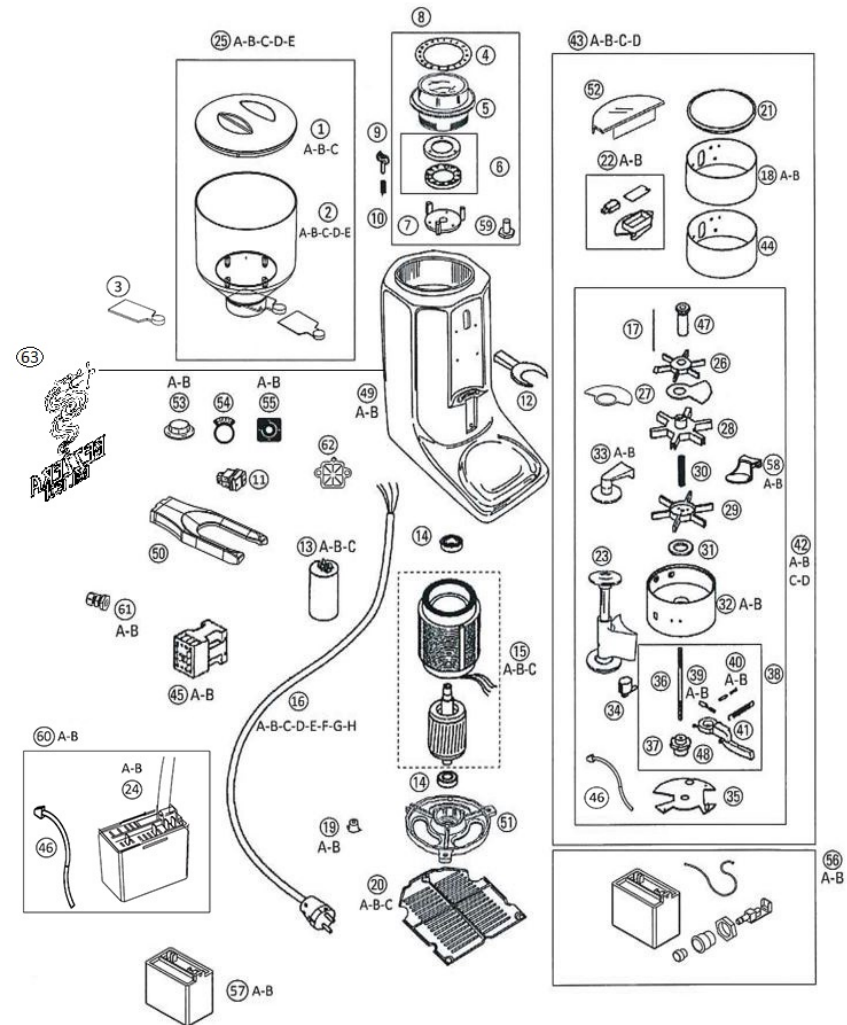


TABLE 1 - (from 26/01/2023)
M80A

| POS | CODE | DESCRIPTION |
|-----|-------------|---|
| 32 | 0Q170235 | TELESCOPIC DOSER SUPPORT M80 - Q13 |
| 33 | 0QRMT800014 | TAMPER Ø 58 mm OLD VERSION |
| 33 | 0QRMT800016 | TAMPER Ø 53 mm OLD VERSION |
| 34 | 0Q210033 | SHOT COUNTER M80 - Q13 - T48 |
| 35 | 0Q160074 | DOSER COVER M80 - Q13 |
| 36 | 0Q110030 | DOSER PIVOT M80 - Q13 - T48 |
| 37 | 0Q160068 | DOSER RIGHT CLIC M80 - Q13 |
| 38 | 0QRMUNI0007 | DOSER LEVER SET M80 - Q13 |
| 39 | 0Q130059 | FORWARD PAWL D6 AVV/DOS M80 - Q13 - T48 |
| 39 | 0Q230029 | FORWARD SPRING M80 - Q13 - T48 |
| 40 | 0Q130060 | STOPPER PAWL D4 ARR/DOS M80 - Q13 - T48 |
| 40 | 0Q230028 | STOPPER SPRING M80 - Q13 - T48 |
| 41 | 0Q230027 | LEVER RETURN SPRING M80 - Q13 - T48 |
| 42 | 0QRMT800010 | DOSER SUPPORT FULL SET M80/A - Q13/A |
| 42 | 0QRMT800017 | TELESCOPIC DOSER SUPPORT FULL SET 58 mm M80/A - Q13/A |
| 42 | 0QRMM800033 | DOSER SUPPORT FULL SET M80/M - M80/TM - Q13/M - Q13/TM |
| 42 | 0QRMM800035 | TELESCOPIC DOSER SUPPORT FULL SET Ø 58 mm M80/M - M80/TM - Q13/M - Q13/TM |
| 43 | 0QRMT800003 | DOSER RH FULL SET M80/A |
| 43 | 0QRMT800019 | TELESCOPIC DOSER RH FULL SET Ø 58 mm M80/A |
| 43 | 0QRMT800025 | DOSER RH FULL SET M80/M - M80/TM |
| 43 | 0QRMT800026 | TELESCOPIC DOSER RH FULL SET 58 mm M80/M - M80/TM |
| 44 | 0Q160008 | DOSER CILINDER M80 - Q13 |
| 45 | 0Q210035 | CONTACTOR (MOT. 380V) |
| 45 | 0Q210034 | CONTACTOR (MOT. 230V 3F) |
| 46 | 0Q130165 | SENSING DEVICE FOR 6 SHOT SYSTEM |
| 47 | 0Q160059 | MIXER NUT M80 - Q13 |
| 48 | 0Q160075 | DOSER LEVER M80 - Q13 |
| 49 | 0Q170265 | BODY M80 COLORED MATT BLACK |
| 49 | 0Q170270 | BODY M80 ALUMINIUM |
| 50 | 0Q170453 | FILTER-HOLDER TELESCOPIC FORK M80 - Q13 |

TABLE 1 - (from 26/01/2023)
M80A

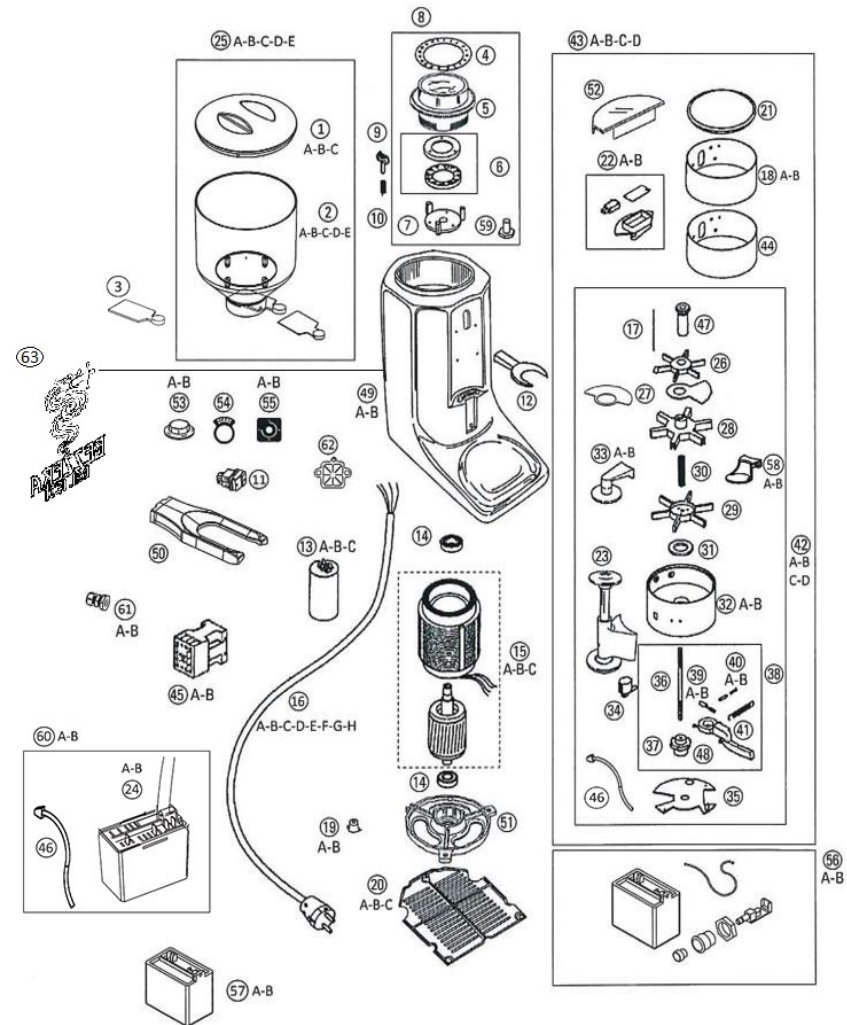
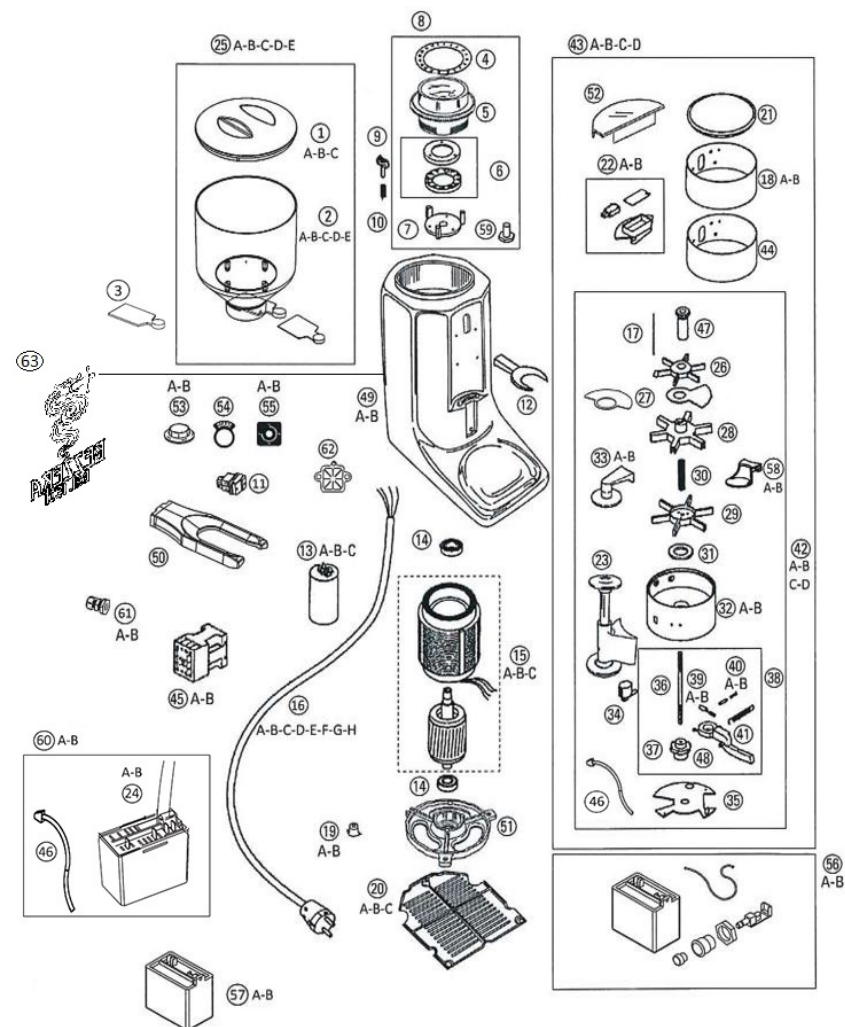


TABLE 1 - (from 26/01/2023)
M80A

| POS | CODE | DESCRIPTION |
|-----|-------------|--|
| 51 | 0Q170282 | MOTOR BOTTOM COVER M80 |
| 52 | 0Q180473 | PROTECTION COVER M80/M - Q13/M |
| 53 | 0Q210022 | "START" PUSH BOTTOM (TILL JULY 2017) M80/TM - Q13/TM |
| 53 | 0Q210026 | "START" PUSH BOTTOM (SINCE AUGUST 2017) M80/TM - Q13/TM |
| 54 | 0Q240075 | STICKY "START" M80/TM - Q13/TM |
| 55 | 0Q240076 | STICKY TIMER (TILL JULY 2017) |
| 55 | 0Q240074 | STICKY TIMER (SINCE AUGUST 2017) |
| 56 | 0QRMM800013 | KIT TIMER 230V "NEW" (SINCE AUGUST 2017) Q50 - M80 - Q13 |
| 56 | 0QRMM800010 | KIT TIMER 110V "NEW" (SINCE AUGUST 2017) Q50 - M80 - Q13 |
| 57 | 0Q130148 | KIT TIMER 230V "OLD" (TILL JULY 2017) M80 - Q13 |
| 57 | 0Q130146 | KIT TIMER 110V "OLD" (TILL JULY 2017) M80 - Q13 |
| 58 | 0Q160116 | TAMPER Ø 53 mm |
| 58 | 0Q160117 | TAMPER Ø 58 mm |
| 59 | 0Q130150 | SCREW FOR BURR HOLDER |
| 60 | 0QRMM800020 | 6 SHOT SYSTEM 230V FULL SET M80 - Q13 - T48 |
| 60 | 0QRMM800022 | 6 SHOT SYSTEM 110V FULL SET M80 - Q13 - T48 |
| 61 | 0Q150015 | CABLE GLAND M16X1.5 + FERRULE 230V |
| 61 | 0Q150021 | CABLE GLAND PG9 + LOCK NUT 110V |
| 62 | 0Q180432 | ANTISTATIC FOIL M80 |
| 63 | 5521561 | BEZZERA LOGO LABEL 50X37 BRONZE |
| 63 | 5521562 | BEZZERA LOGO LABEL 50X37 BLACK |

TABLE 1 - (from 26/01/2023)
M80A





G. BEZZERA S.R.L.
MACCHINE PER CAFFE' ESPRESSO
Via Luigi Bezzera, 1
20088 Rosate - Milano - Italy
Tel. ++39 02 90848102 r.a. - Telefax ++39 02 90870287
Web: www.bezzera.com
e-mail: admin@bezzera.it