

BEZZERA

Dal 1901

M80E

COD. 9942077

REV. 02 ed.03/25



BEZZERA

M80E

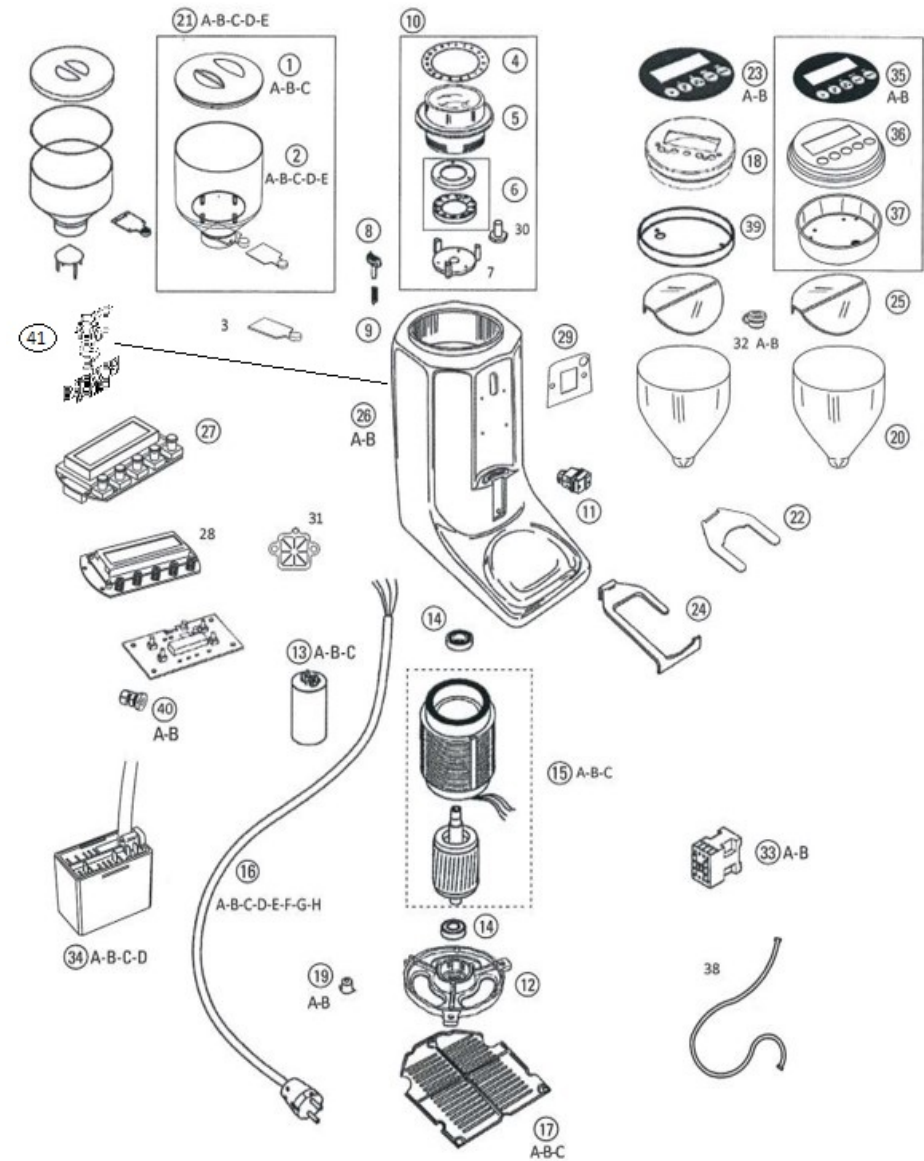
TABLE 1 - (from 26/01/2023)
M80E

POS	CODE	DESCRIPTION
1	0Q160145	HOPPER LID 250 g - 500 g - 1,2 Kg
1	0Q160146	HOPPER LID 1,5 Kg
1	0Q160064	HOPPER LID 150g
2	0Q160165	HOPPER 250 g WITH SHUTTER
2	0Q180287	HOPPER 150g
2	0Q160076	HOPPER 1,5 Kg WITH SHUTTER
2	0Q160080	HOPPER 1,2 Kg WITH SHUTTER
2	0Q160087	HOPPER 500 g WITH SHUTTER
3	0Q160063	HOPPER SHUTTER
4	0Q240023	GRIND SELECTION LABEL Q50 - M80 (SINCE JUNE 2022)
4	0Q240021	GRIND SELECTION LABEL Q50 - M80 (FROM JULY 2022)
5	0Q170195	ADJUSTMENT RING NUT M80
6	0Q260015	BURR SET ~ 63 mm FOOD FRIENDLY
7	0Q170090	BURR HOLDER M80
8	0Q160062	STOPPER PIN
9	0Q230013	STOPPER SPRING
10	0QRMT800021	BURR HOLDER M80 FULL SET
11	0Q210015	ON/OFF SWITCH
12	0Q170282	MOTOR BOTTOM COVER M80
13	0Q150063	CAPACITOR 16 MF (MOT. 230V)
13	0Q150066	CAPACITOR 35 MF (MOT. 110V)
13	0Q150044	CAPACITOR 35 MF (MOT. 110V) ETL
14	0Q260005	ROTOR BEARING 6202
15	0Q270003	MOTOR M80 230V
15	0Q270004	MOTOR M80 110V
15	0Q270006	MOTOR M80 380V
16	0Q150073	CABLE WITH SCHUKO PLUG 230V
16	0Q150082	THREE-PHASE CABLE (380V WITHOUT PLUG)
16	0Q150076	CABLE WITH USA PLUG 110V
16	0Q150077	CABLE WITH UK PLUG

BEZZERA

M80E

TABLE 1 - (from 26/01/2023)
M80E



BEZZERA

M80E

TABLE 1 - (from 26/01/2023)
M80E

POS	CODE	DESCRIPTION
16	0Q150078	CABLE WITH AUS PLUG
16	0Q150052	CABLE WITH BRA PLUG
16	0Q150111	CABLE WITH CH PLUG
16	0Q150121	CABLE WITH IS PLUG
17	0Q160200	BOTTOM PLATE M80
17	0Q170438	BOTTOM PLATE M80
17	0Q170455	BOTTOM PLATE M80
18	0Q170676	ALLUMINIUM DISPLAY LID (FROM MARCH 2020)
19	0Q160118	RUBBER FOOT
19	0Q160119	RUBBER FOOT
20	0Q180452	COFFEE FUNNEL M80/E - M80/EE
21	0QRMT800015	HOPPER 1,2 Kg FULL SET
21	0QRMM800008	HOPPER 500 g FULL SET
21	0QRMM800017	HOPPER 250 g FULL SET
21	0QRMSR00016	HOPPER 150 g FULL SET
21	0QRMT480001	HOPPER 1,5 Kg FULL SET
22	0Q180482	FILTER HOLDER SHORT FORK M80
23	0Q240092	MEMBRANE FOR DISPLAY WITH LOGO BLUE KEYS (SINCE MARCH 2020) M80 - Q13 - T48
23	0Q240093	MEMBRANE FOR DISPLAY NO LOGO BLUE KEYS (SINCE MARCH 2020) M80 - Q13 - T48
24	0Q180443	FILTER HOLDER LONG FORK M80
25	0Q180490	PROTECTION COVER M80/E - M80/EE M80/S - M80/EM
26	0Q170265	BODY M80 COLORED MATT BLACK
26	0Q170270	BODY M80 GLOSS
27	0Q130175	DISPLAY BOARD 5 KEYS (MECHANICAL)
28	0Q130141	DISPLAY BOARD 5 KEYS (CAPACITIVE)
29	0Q120030	ANTI-VIBRATION GASKET M80
30	0Q130150	SCREW FOR BURR HOLDER
31	0Q180432	ANTISTATIC FOIL M80
32	0Q150108	CABLE CLIP
32	0Q150035	CABLE CLIP

BEZZERA

M80E

TABLE 1 - (from 26/01/2023)
M80E

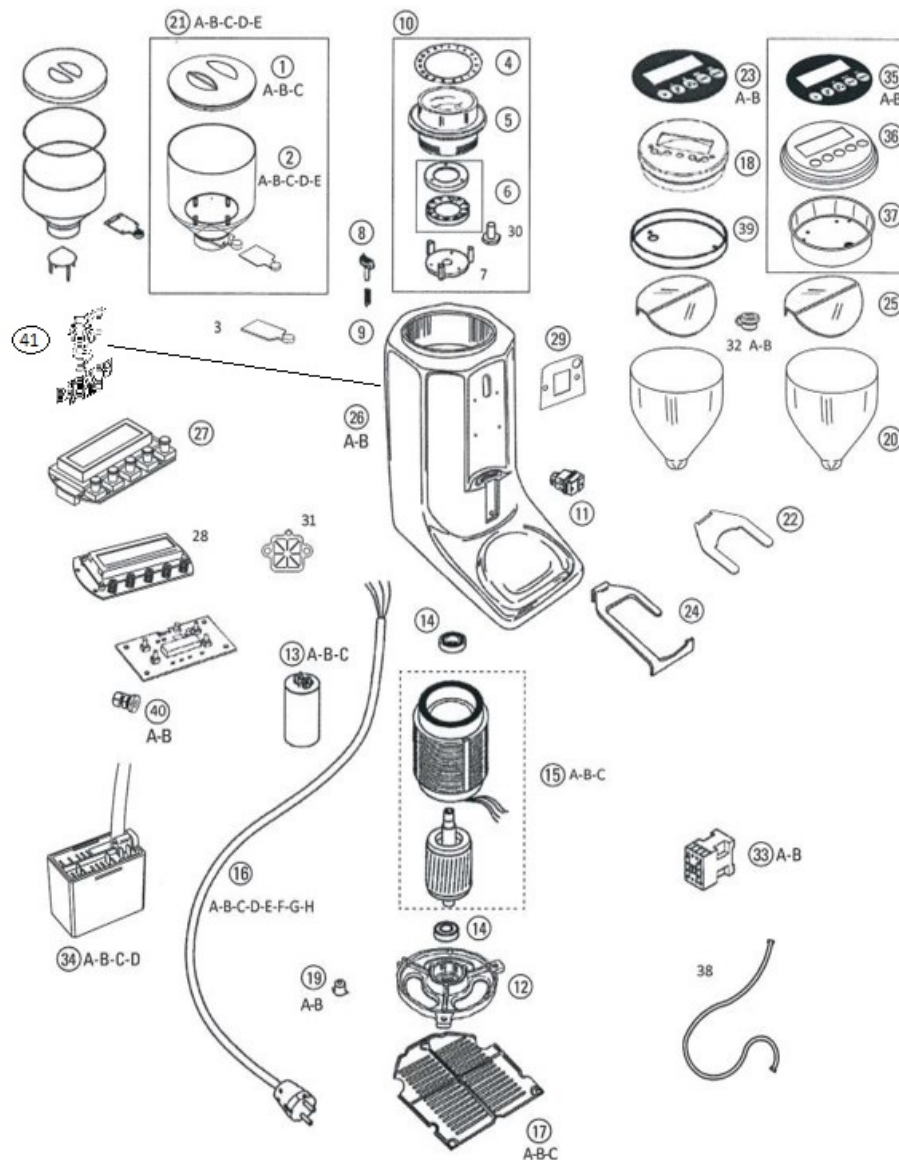
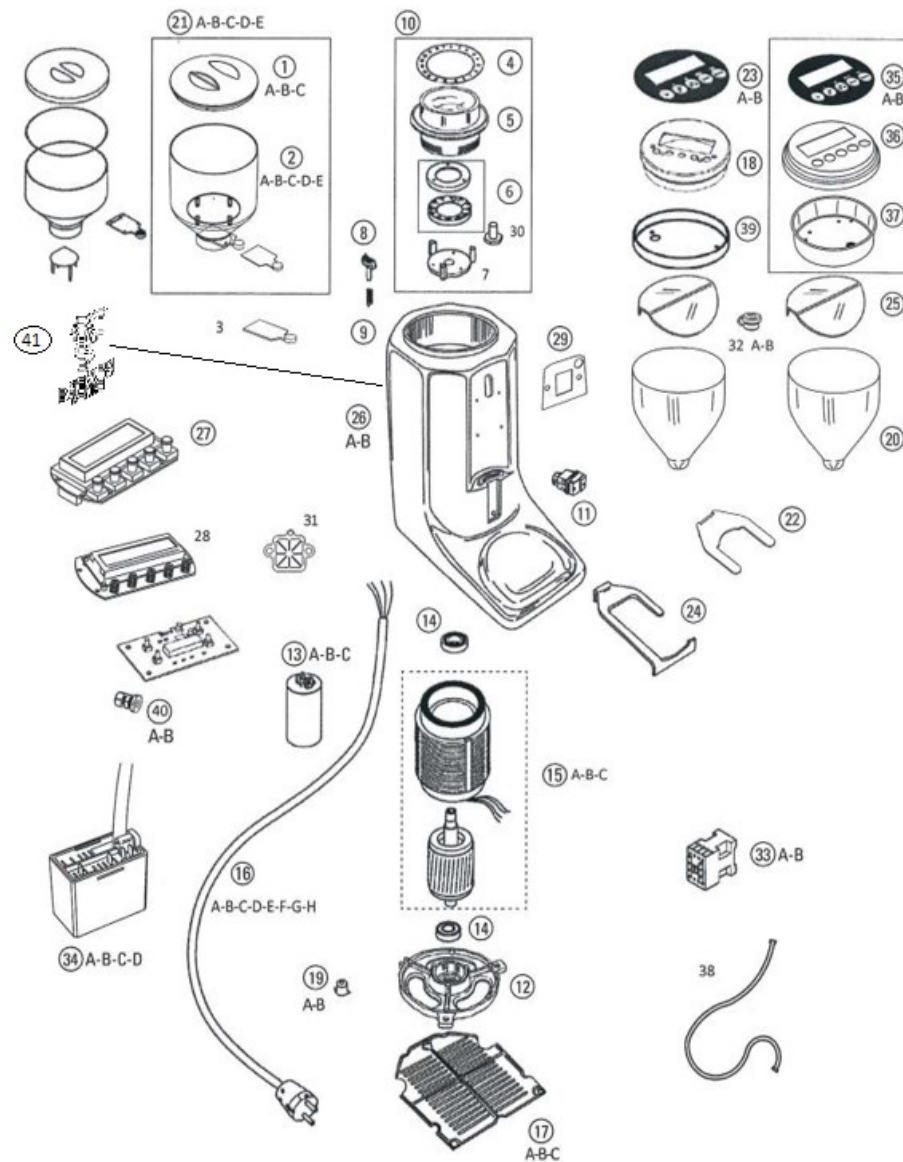


TABLE 1 - (from 26/01/2023)
M80E

POS	CODE	DESCRIPTION
33	0Q210035	CONTACTOR (MOT. 380V)
33	0Q210034	CONTACTOR (MOT. 230V 3F)
34	0Q130140	CONTROL UNIT 230V
34	0Q130143	CONTROL UNIT 230V WITH EXTERNAL FUSE
34	0Q130145	CONTROL UNIT 110V / 110V ETL
34	0Q130144	CONTROL UNIT 110V / 110V ETL WITH EXTERNAL FUSE
35	0Q240024	MEMBRANE FOR CAPACITIVE DISPLAY WITH LOGO M80 - Q13 - T48
35	0Q240080	MEMBRANE FOR MECHANICAL DISPLAY WITH LOGO M80 - Q13 - T48
36	0Q180448	FUNNEL LID IN POLISHED STEEL (TILL FEBRUARY 2020) M80 - Q13 - T48
37	0Q180438/L	STEEL FUNNEL COVER (TILL FEBRUARY 2020) M80 - Q13 - T48
38	0Q150137	FLAT CABLE FOR CONTROL UNIT
39	0Q170678	ALUMINIUM FUNNEL COVER (SINCE MARCH 2020) M80 - Q13 - T48
40	0Q150015	CABLE GLAND M16X1,5 + FERRULE 230V
40	0Q150021	CABLE GLAND PG9 + LOCK NUT 110V
41	5521561	BEZZERA LOGO LABEL 50X37 BRONZE
41	5521562	BEZZERA LOGO LABEL 50X37 BLACK

TABLE 1 - (from 26/01/2023)
M80E





G. BEZZERA S.R.L.
MACCHINE PER CAFFE' ESPRESSO
Via Luigi Bezzera, 1
20088 Rosate - Milano - Italy
Tel. ++39 02 90848102 r.a. - Telefax ++39 02 90870287
Web: www.bezzera.com
e-mail: admin@bezzera.it