

BBO12



BEZZERA

Dal 1901

COD. 9942054.03

REV.00

POS	CODE	DESCRIPTION	
TABLE 01 - BB012AT	1	0M0603008	DOSER COVER
	2	0M0603006	HALF COVER
	3	0M1205004	MICROSWITCH
	4	0M1603001	COMPLETE AUTOMATIC COLLAR
	5	0M0603001	BOX DISPENSER
	6	0M1603002	DOSER KNOB
	7	0M1603003	UPPER CROSS
	8	0M0604001	FEMALE CROSS
	9	0M0604002	MALE CROSS
	10	0M1606003	CROSS KIT
	11	0M0903001	FIELD DOSING
	12	0M0204004	SPRING
	13	0M0503001	DOSER
	14	0M0603004	STROKE COUNTER
	15	0M1606002	BUMPER
	16	0M1603005	LEVER
	17	0M1101003	STAR
	18	0M0603011	DOSER BOTTOM
	19	0M1001001	KNOB
	20	0M0602002	COVER HOPPER
	21	0M0602005	SAFE-FINGER CAP
	22	0M0602007	HOPPER
	23	0M0602006	DAMPER HOPPER
	24	0M0502002	COLLAR
	25	0M1606005	GASKET KIT
	26	0M1607001	COFFEE-PRESS KNOB
	27	0M0204005	SPRING
	28	5479919	ROD GUIDE TAMPER
	29	5221419CM	COFFEE-PRESS D.57
	30	5262204	SPACER
	31	7633623	BLUE LED
	32	7633313	BIPOLAR SWITCH
	33	0M1604001	COMPLETE MICROMETER ADJUSTMENT
	34	5371814	ADJUSTMENT HANDLE
	35	5373930LL	PLUG
	36	0M0802002	PAD
	37	0M1501001	FLAT GRINDSTONE 64
	38	5074475LL	COMPLETE FRONTAL
	39	5071732.01LW	BODY
	40	0M1404001	COMPLETE MOTOR 100V 50/60HZ FOR FLAT GRINDSTONE
40	0M1404002	COMPLETE MOTOR 120V 60HZ FOR FLAT GRINDSTONE	
40	0M1404003	COMPLETE MOTOR 220V 60HZ FOR FLAT GRINDSTONE	
40	0M1404004	COMPLETE MOTOR 230/240V 50HZ FOR FLAT GRINDSTONE	
40	0M1404005	COMPLETE MOTOR 100V 50/60HZ FOR CONICAL GRINDSTONE	
40	0M1405006	COMPLETE MOTOR 120V 60HZ FOR CONICAL GRINDSTONE	
40	0M1405007	COMPLETE MOTOR 220V 60HZ FOR CONICAL GRINDSTONE	

TABLE 01 - BB012AT

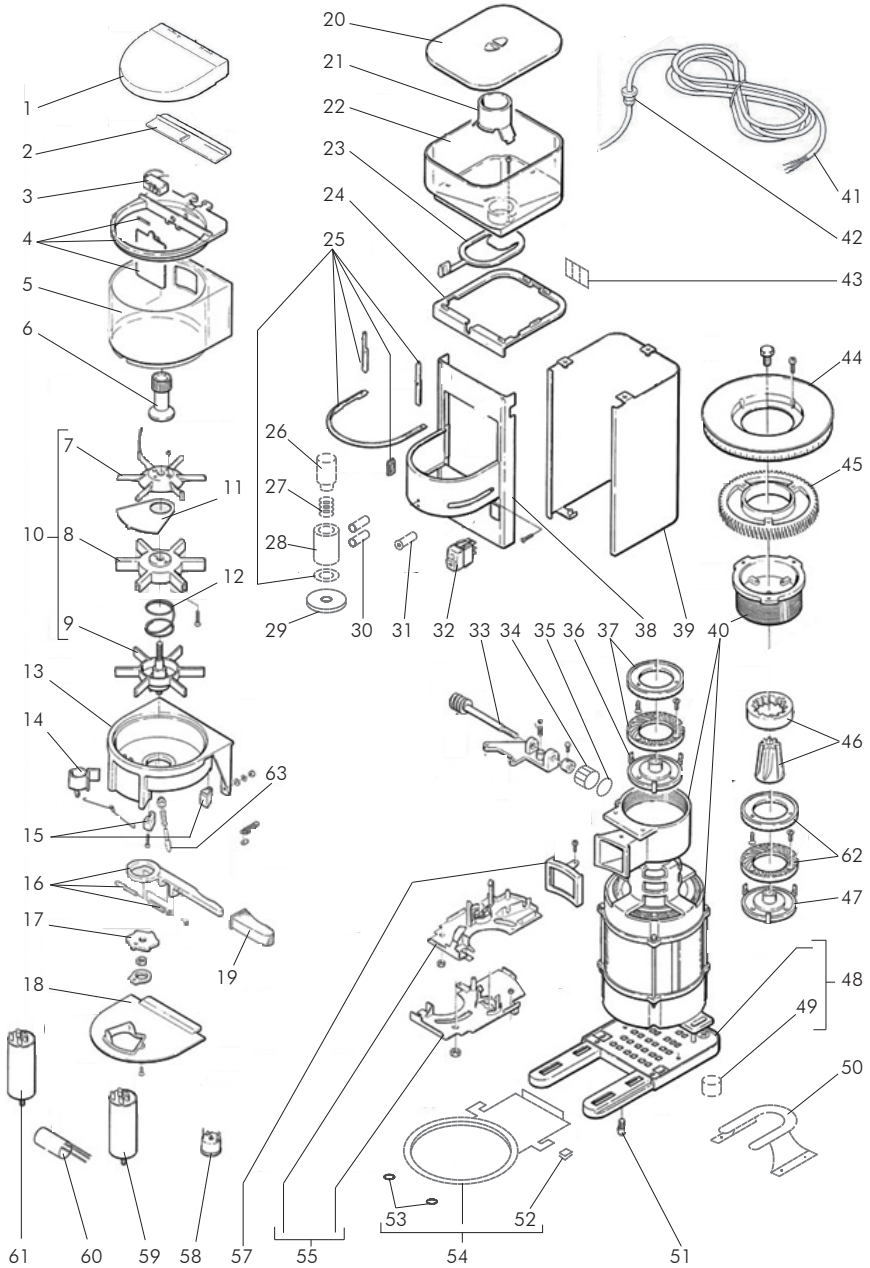


TABLE 01 - BB012AT

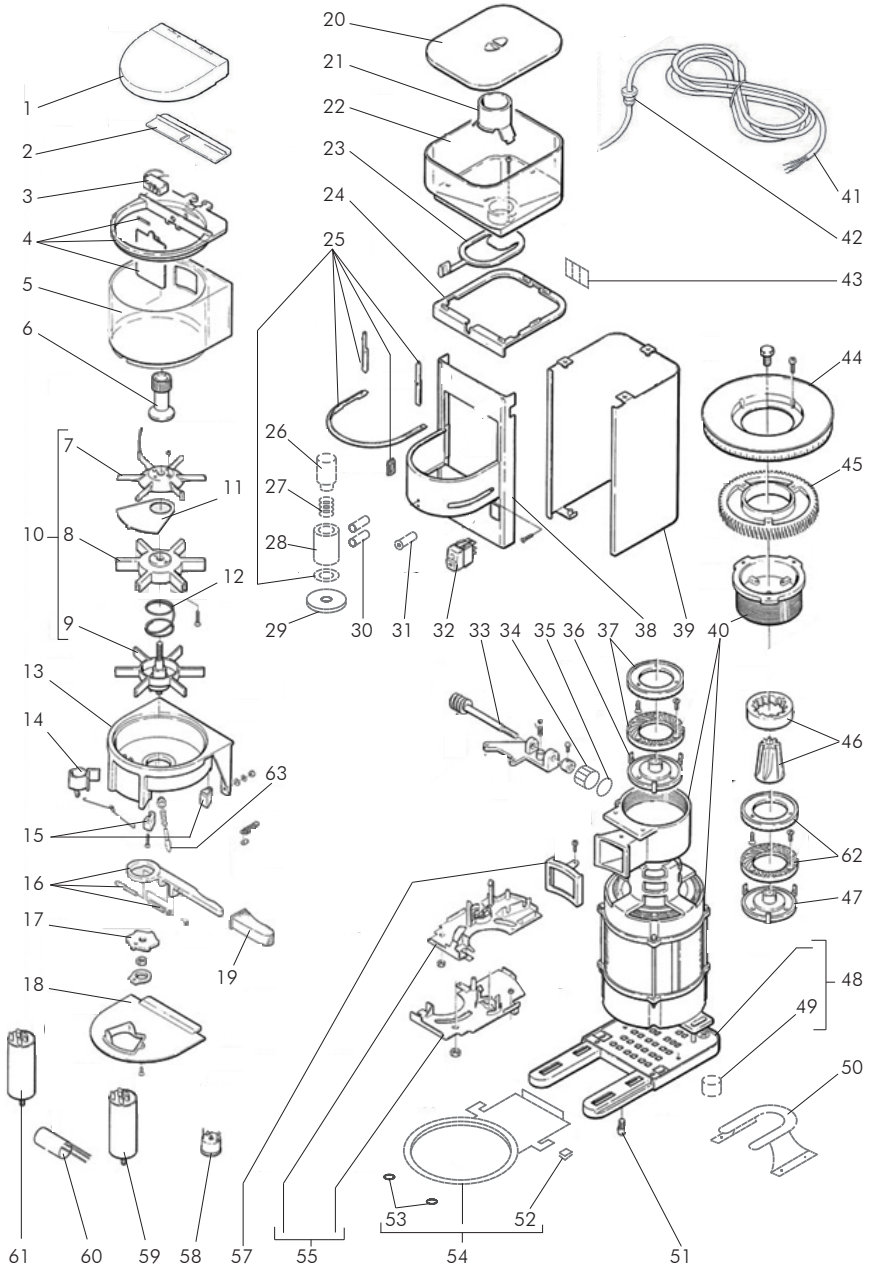


TABLE 02 - BB012MN

POS	CODE	DESCRIPTION
1	0M0603008	DOSER COVER
2	0M0603006	HALF COVER
3	0M0603003	COLLAR
4	0M0603001	BOX DISPENSER
5	0M1603002	DOSER KNOB
6	0M1603004	UPPER CROSS
7	0M0604001	FEMALE CROSS
8	0M0604002	MALE CROSS
9	0M1606004	CROSS KIT
10	0M0903001	FIELD DOSING
11	0M0204004	SPRING
12	0M0503001	DOSER
13	0M0603004	STROKE COUNTER
14	0M1606002	BUMPER
15	0M1603005	LEVER
16	0M1101003	STAR
17	0M0603011	DOSER BOTTOM
18	0M1001001	KNOB
19	0M0602002	COVER HOPPER
20	0M0602005	SAFE-FINGER CAP
21	0M0602007	HOPPER
22	0M0602006	DAMPER HOPPER
23	0M0502002	COLLAR
24	0M1606005	GASKET KIT
25	0M1607001	COFFEE-PRESS KNOB
26	0M0204005	SPRING
27	5479919	ROD GUIDE TAMPER
28	5221419CM	COFFEE-PRESS D.57
29	5262204	SPACER
30	7633623	BLUE LED
31	7633313	BIPOLAR SWITCH
32	0M1604001	COMPLETE MICROMETER ADJUSTMENT
33	5371814	ADJUSTMENT HANDLE
34	5373930LL	PLUG
35	0M0802002	PAD
36	0M1501001	FLAT GRINDSTONE 64
37	5074475LL	COMPLETE FRONTAL
38	5071732.01LW	BODY
39	0M1404001	COMPLETE MOTOR 100V 50/60HZ FOR FLAT GRINDSTONE
39	0M1404002	COMPLETE MOTOR 120V 60HZ FOR FLAT GRINDSTONE
39	0M1404003	COMPLETE MOTOR 220V 60HZ FOR FLAT GRINDSTONE
39	0M1404004	COMPLETE MOTOR 230/240V 50HZ FOR FLAT GRINDSTONE
40	0M1201001	CABLE WITH USA PLUG 100V 50/60HZ - 120V 60HZ
40	7555001	CABLE WITH SCHUKO PLUG
40	7554001	CABLE WITH ENGLISH PLUG
40	7552001	CABLE WITH AUSTRALIAN PLUG

TABLE 02 - BB012MN

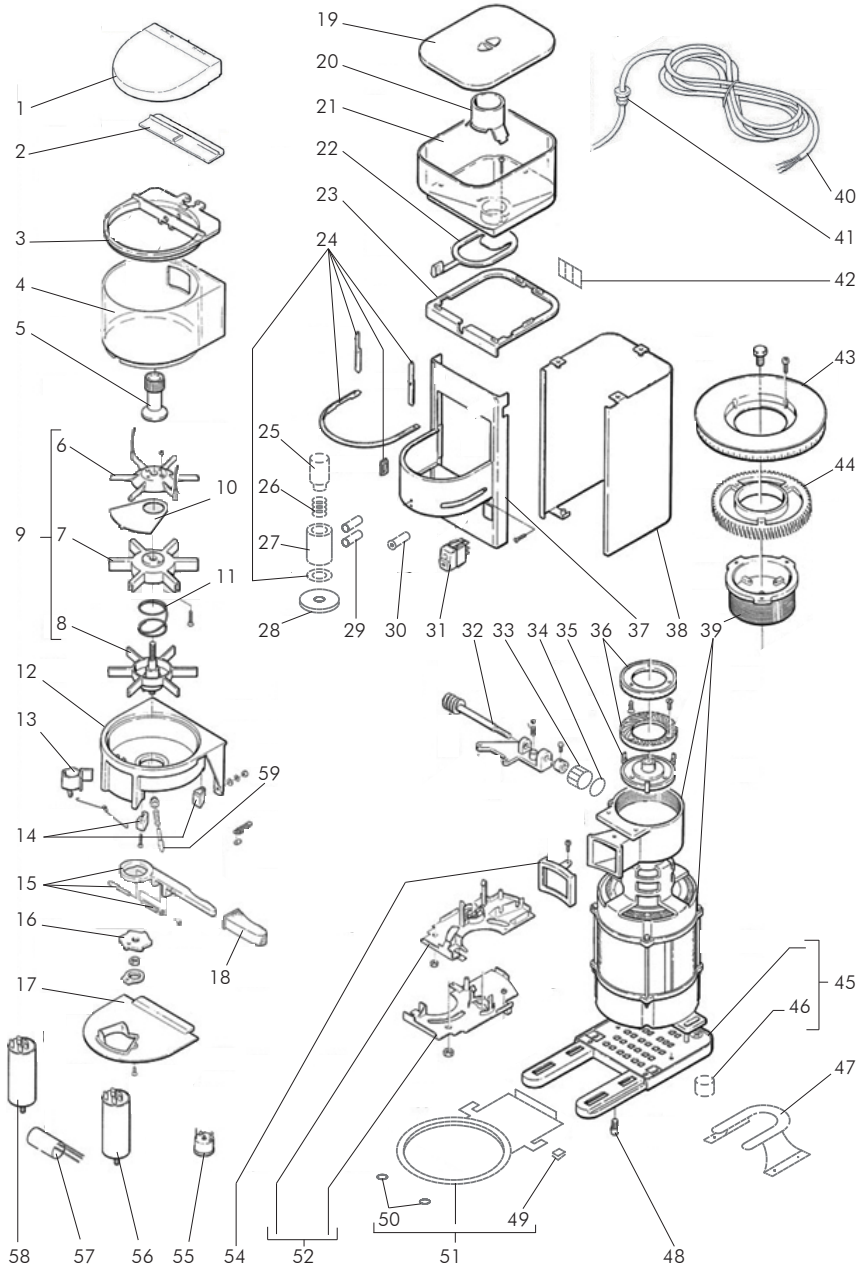


TABLE 02 - BB012MN

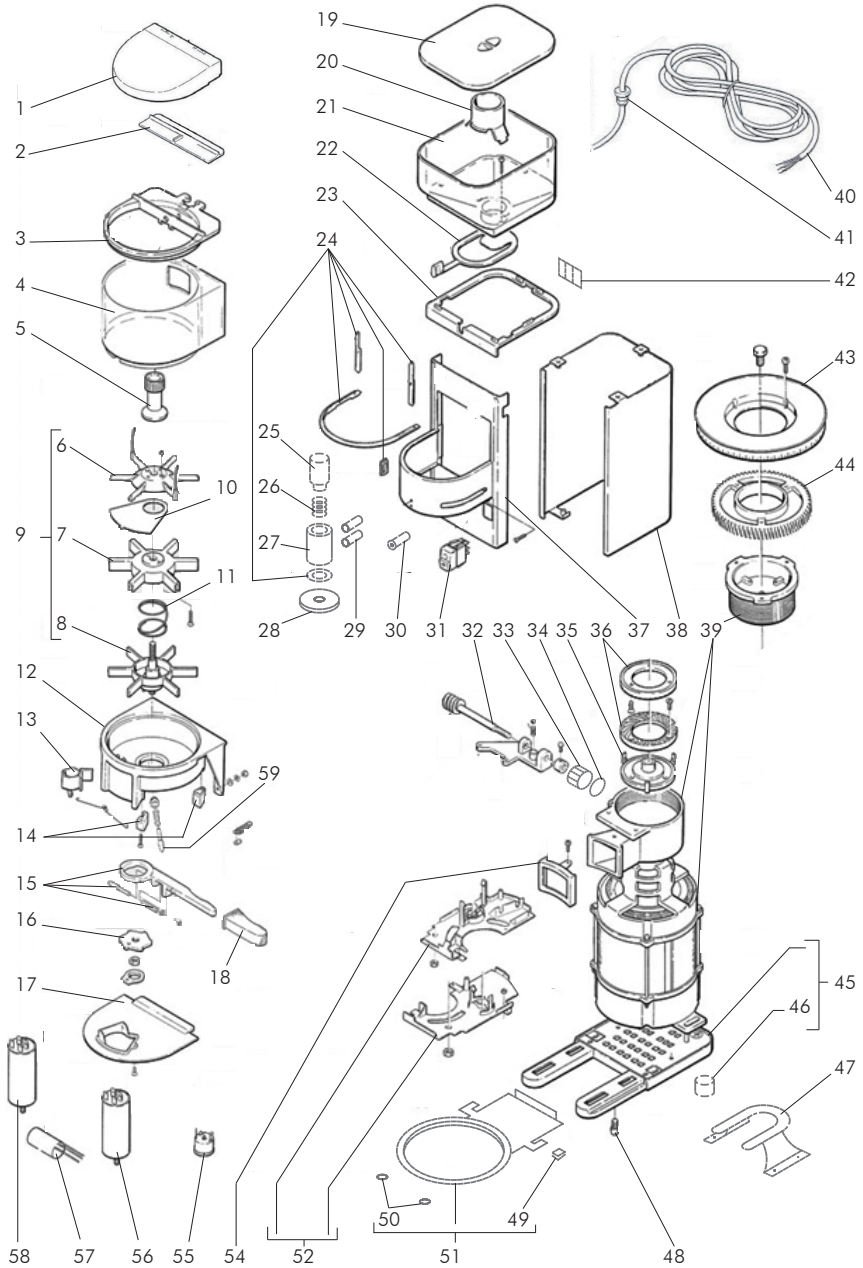


TABLE 03 - BB012TM

POS	CODE	DESCRIPTION
1	5373001	COFFEE-PRESS
2	7990608	CLEANING BRUSH
3	0M0602002	COVER HOPPER
4	0M0602005	SAFE-FINGER CAP
5	0M0602007	HOPPER
6	0M0602006	DAMPER HOPPER
7	0M0502002	COLLAR
8	0M1605002	COVER PANEL
8a	0M1605001	DISPLAY + ADHESIVE LABEL
9	0M0401006	ADHESIVE LABEL
10	0M0901001	FILTER HOLDER BRACKET
11	0M0902002	BRACKET
12	0M0902001	FIXING BRACKET
13	7633313	BIPOLAR SWITCH
14	0M1604001	COMPLETE MICROMETER ADJUSTMENT
15	5371814	ADJUSTMENT HANDLE
16	5373930LL	PLUG
17	0M0802002	PAD
18	0M1501001	FLAT GRINDSTONE 64
19	0M1601003	COMPLETE FRONTAL
20	5071732.01LW	BODY
21	0M1404009	COMPLETE MOTOR 100V 50/60HZ FOR FLAT GRINDSTONE
21	0M1404010	COMPLETE MOTOR 120V 60HZ FOR FLAT GRINDSTONE
21	0M1404011	COMPLETE MOTOR 220V 60HZ FOR FLAT GRINDSTONE
21	0M1404012	COMPLETE MOTOR 230/240V 50HZ FOR FLAT GRINDSTONE
22	0M1201001	CABLE WITH USA PLUG 100V 50/60HZ - 120V 60HZ
22	7555001	CABLE WITH SCHUKO PLUG
22	7554001	CABLE WITH ENGLISH PLUG
22	7552001	CABLE WITH AUSTRALIAN PLUG
23	0M1201003	FAIRLEAD WITH HOLE RUBBER
24	5521524	FLAG ITALY
25	0M1606007	DISC OF ADJUSTMENT
26	0M0604005	TOOTHED WHEEL
27	0M1601002	PAINTED BASEMENT
28	0M1606001	FEET KIT
29	0M1606006	SCREWS KIT
30	7474217	ADHESIVE SQUARE FOOT
31	7999904	ADHESIVE ROUND FOOT
32	5070658LL	DRAIN TRAY COMPLETE
33	0M1301002	ELECTRONIC BOX X 220/230/240V
33	0M1301001	ELECTRONIC BOX X 110/120V
34	0M0902003	MOTOR SUPPORT
35	0M1302001	CABLE FOR ELECTRIC BOARD
36	0M1204005	CONDENSER 50MF X 100/120V
37	0M1204004	CONDENSER 25MF X 100/120V
37	0M1204001	CONDENSER 10MF X 220/230/240V

TABLE 03 - BB012TM

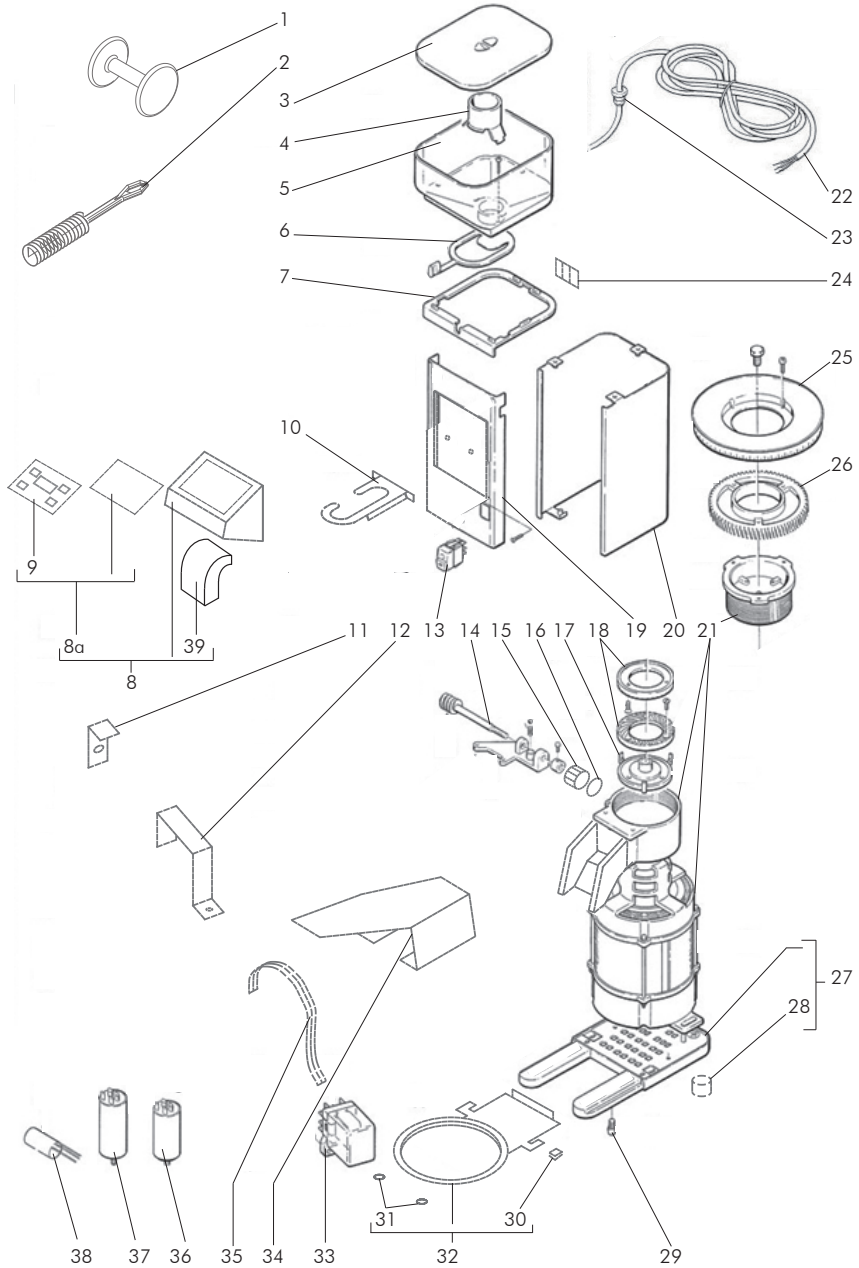
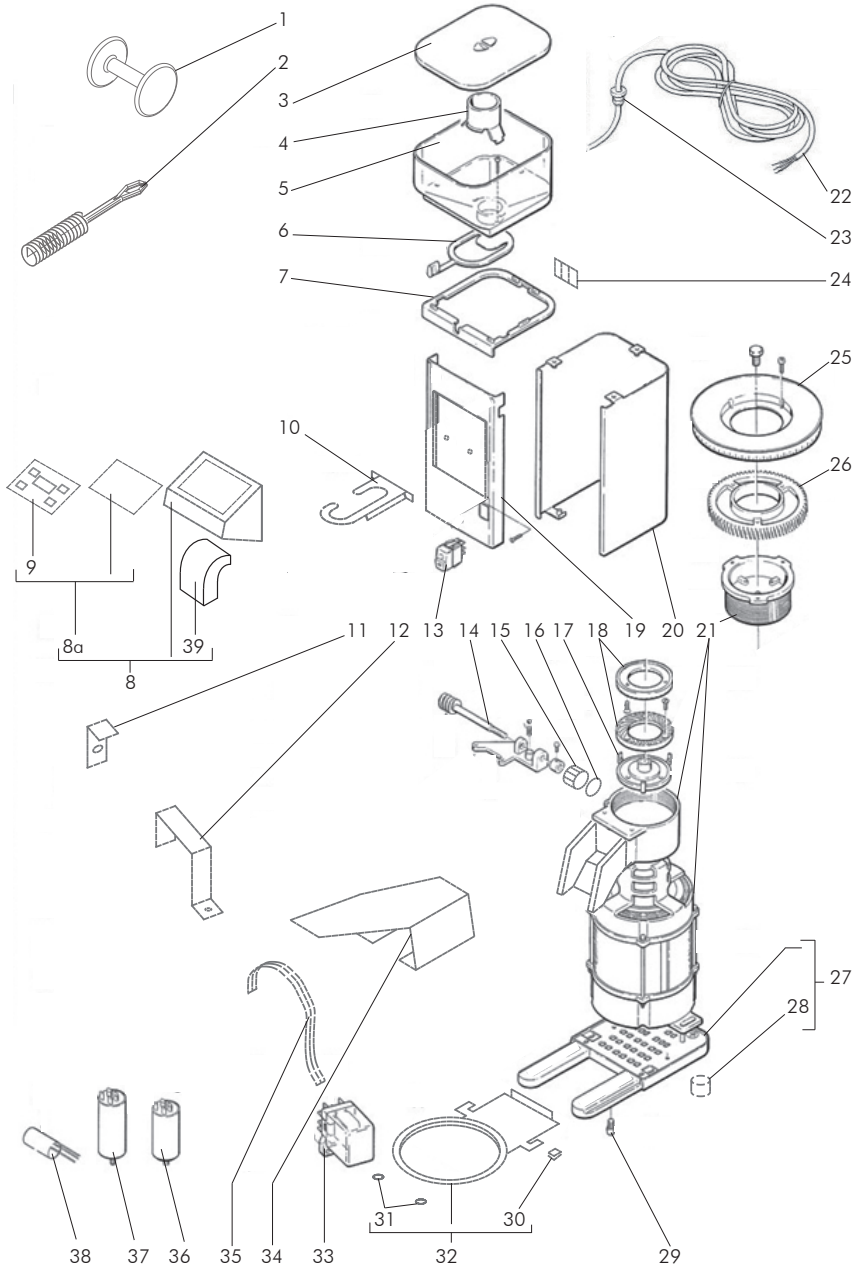
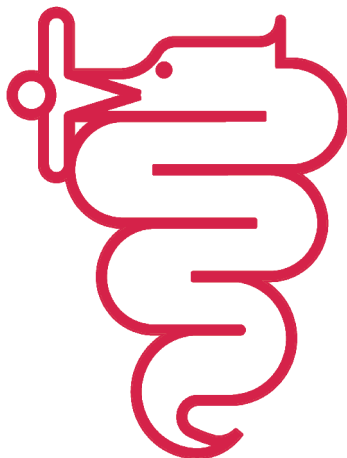


TABLE 03 - BB012TM





BEZZERA

Dal 1901

G. BEZZERA S.R.L.
MACCHINE PER CAFFE' ESPRESSO
Via Luigi Bezzera,1
20088 Rosate - Milano - Italy
Tel. ++39 02 90848102 r.a. - Telefax ++39 02 90870287
Web: www.bezzera.com
e-mail: commerciale@bezzera.it