



B2013

COD. 9942059.02

REV. 01



BEZZERA

B2013

TABLE 1
B2013 Mod. DE-PM

POS	CODE	DESCRIPTION
1	5074637LW	HEATING GRID B2013 2GR
1	5074641LW	HEATING GRILL 3GR
1	5074642LW	CUPS-HEATER GRID 1GR
2	5056335LW	CUPS HEATER 2GR
2	5056337LW	CUPS HEATER 3GR
2	5056336LW	CUPS HEATER 1GR
3	5344035	BODY B2013 2GR
3	5344037	BODY 3GR
3	5344036	COMPLETE BODYWORK 1GR
4	5035724LW	BACK CROSS FRAME 2GR
4	5035726LW	BACK CROSS FRAME 3GR
4	5035725LW	BACK CROSS FRAME 1GR
5	5074482SG1	FRONTAL GROUP 1GR SILKSCREENED 0-1-
5	5074480SG	FRONTAL GROUP 2GR SILKSCREENED 0-1
5	5074480SG1	FRONTAL GROUP B2013 2GR 0-1-2
5	5074484SG	GROUP FRONTAL 3GR (SWITCH 0-1)
5	5074484SG1	FRONTAL GROUP 3GR SILKSCREENED
5	5074486SG	FRONTAL GROUP 1GR GAS SILKSCREENED
5	5074486SG1	FRONTAL GROUP 1GR GAS SILKSCREENED
5	5074487SG	FRONTAL GROUP 2GR GAS SILKSCREENED
5	5074487SG1	FRONTAL GROUP 2GR GAS SILKSCREENED
5	5074488SG	FRONTAL GROUP 3GR GAS SILKSCREENED
5	5074488SG1	FRONTAL GROUP 3GR GAS SILKSCREENED
5	5074488SG	FRONTAL GROUP 1GR GAS/VRTL SILKSCRE
5	5074483.01SG1	FRONTAL GROUP 1GR GAS/VL 0-1-2
5	5074481.01SG	FRONTAL GROUP 2GR GAS/VL 0-1
5	5074481.01SG1	FRONTAL GROUP 2GR GAS/VL 0-1-2
5	5074485.01SG	FRONTAL GROUP 3GR GAS/VL 0-1
5	5074485.01SG1	FRONTAL GROUP 3GR GAS/VL 0-1-2
5	5074482SG	FRONTAL GROUP 1GR SILKSCREENED 0-1

BEZZERA

B2013

TABLE 1
B2013 Mod. DE-PM

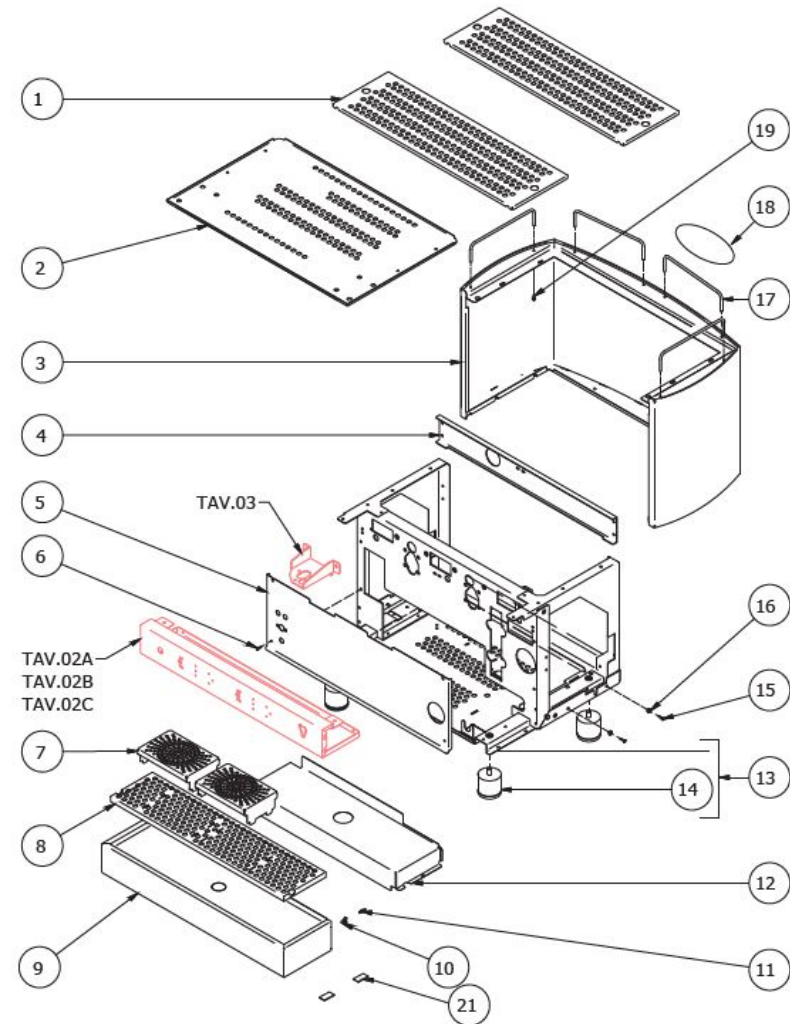
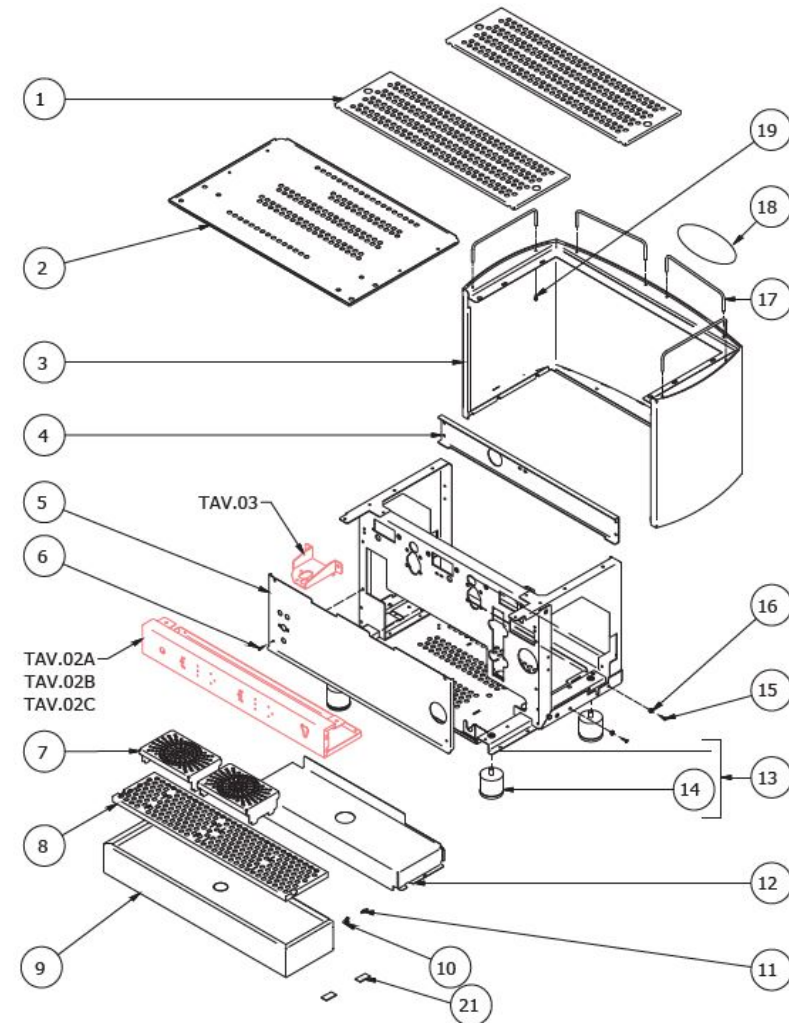


TABLE 1
B2013 Mod. DE-PM

POS	CODE	DESCRIPTION
6	7819901	SCREW TTEI M4X12 ISO 7380 A2 INOX
7	5074638.01LW	GRID RAISES COFFEE CUPS
8	5074639.01LW	DRAINING GRID 1GR BF
8	5074636.01LW	DRAINING GRID B2013 2GR BF
8	5074640.01LW	DRIP TRAY GRID 3GR
9	5968112.02	ASSY TRAY 1GR LOGO+MAGNET
9	5968113.02	ASSY TRAY 2GR LOGO+MAGNET
9	5968114.02	ASSY TRAY 3GR LOGO+MAGNET
10	5471533	SPRING
11	5244008NC	STUD M4X22.6 AVP NICHEL-PLATED
12	5053032LW	COVERING TRAY 1GR INOX
12	5053033LW	B2013 2GR.STAINLESS COVERING BASIN
12	5053034LW	COVERING TRAY 3GR INOX
13	5974615	CHASSIS 1GR
13	5974616	CHASSIS 2GR
13	5974617	CHASSIS 3GR
14	7474215	FEET
15	7817801	SCREW TPS M4X16 DIN 7688 A2
16	5220818	BUSHING D10 X 4.2 OT
17	5163251.01CM	SIDE BOARD PIPE
18	5521525	GOLDEN LABEL SNAKE MILANO ITALY
19	7818603	TAPPING SCREW D4.2X13 UNI6949
21	7471204	MAGNET

TABLE 1
B2013 Mod. DE-PM



BEZZERA

B2013

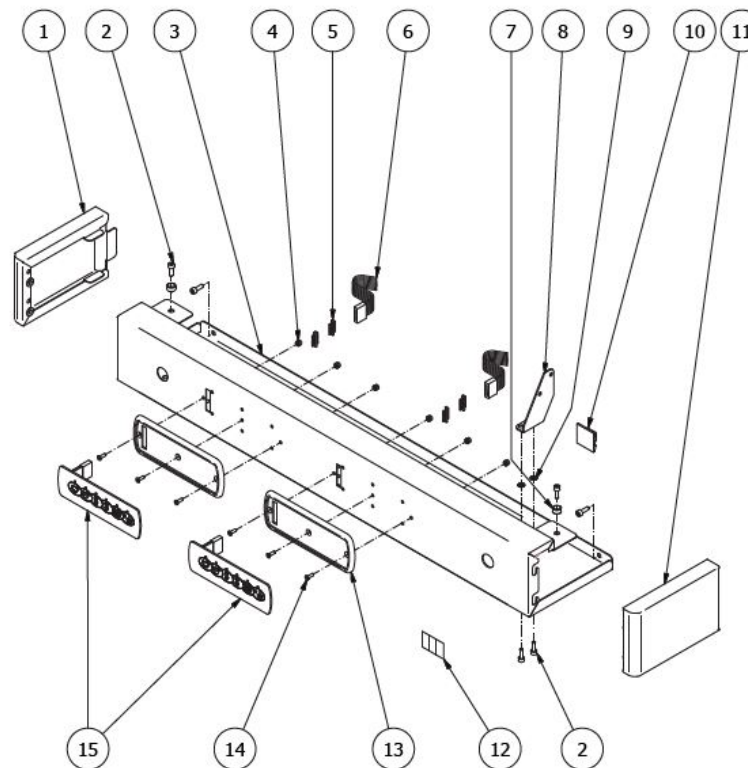
TABLE 2A
B2013 Mod. DE

POS	CODE	DESCRIPTION
1	5961765	B2013 LEFT SIDE COMPLETE
1	5961765	B2013 LEFT SIDE COMPLETE
2	7816002	SCREW TCEI M4X12 UNI 5931 A2
2	7816002	SCREW TCEI M4X12 UNI 5931 A2
3	5094859LL	WORKING FRONTAL PANEL 2GR
3	5094866LL	WORKING FRONTAL PANEL 3GR
3	5094869LL	WORKING FRONTAL PANEL 1GR
3	5094859LL	WORKING FRONTAL PANEL 2GR
3	5094866LL	WORKING FRONTAL PANEL 3GR
3	5094869LL	WORKING FRONTAL PANEL 1GR
4	7802401	SELF-LOCKING NUT M3 UNI 7473
4	7802401	SELF-LOCKING NUT M3 UNI 7473
5	7636601	STRIP-LINE 8 POLES
5	7636601	STRIP-LINE 8 POLES
6	7663552	CONNECTING CABLE 8 POLES 1
6	7663553	CONNECTING CABLE 8 POLES 3
6	7663552	CONNECTING CABLE 8 POLES 1
6	7663553	CONNECTING CABLE 8 POLES 3
7	5220802	BUSHING D10 X 4.2 OT
7	5220802	BUSHING D10 X 4.2 OT
8	5038429LL	EV SUPPORT
8	5038429LL	EV SUPPORT
9	7814001	WASHER D4 DIN 6798A A2
9	7814001	WASHER D4 DIN 6798A A2
10	7611517	CLAMP
10	7611517	CLAMP
11	5961764	B2013 RIGHT SIDE COMPLETE
11	5961764	B2013 RIGHT SIDE COMPLETE
12	5521524	ITALIAN FLAG LABEL
12	5521524	ITALIAN FLAG LABEL

BEZZERA

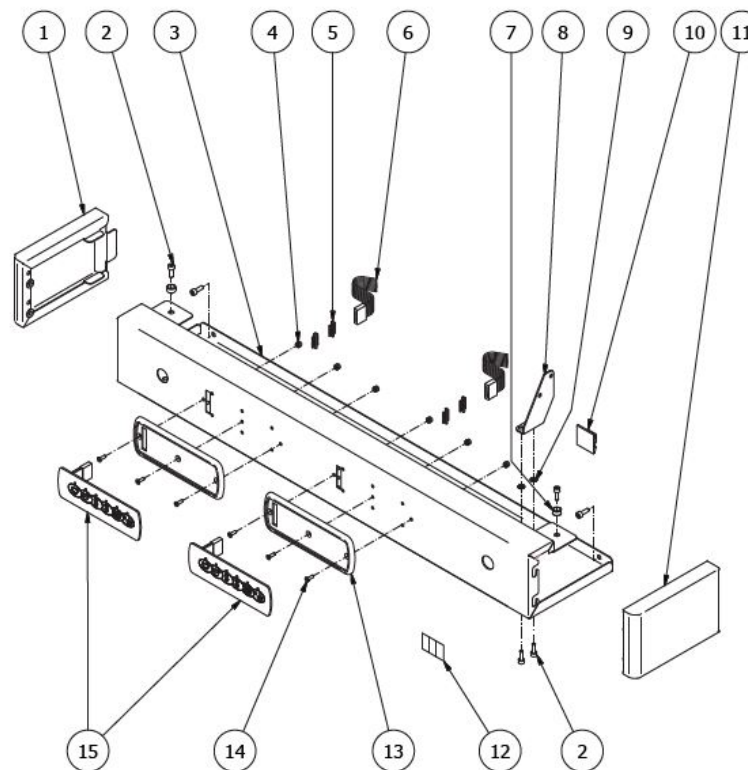
B2013

TABLE 2A
B2013 Mod. DE



BEZZERA**B2013**TABLE 2A
B2013 Mod. DE

POS	CODE	DESCRIPTION
13	5372705	MEMBRANE-HOLDER ELL DE/TE BLACK
13	5372705	MEMBRANE-HOLDER ELL DE/TE BLACK
14	7817803	SCREW TPS M3X10 UNI 7688 DIN 965 A2
14	7817803	SCREW TPS M3X10 UNI 7688 DIN 965 A2
15	5660503	MEMBRANE TE 6 PUSH BUTTON 130X40
15	5660503	MEMBRANE TE 6 PUSH BUTTON 130X40

BEZZERA**B2013**TABLE 2A
B2013 Mod. DE

BEZZERA

B2013

TABLE 2B

B2013 Mod. DE - With automatic steam

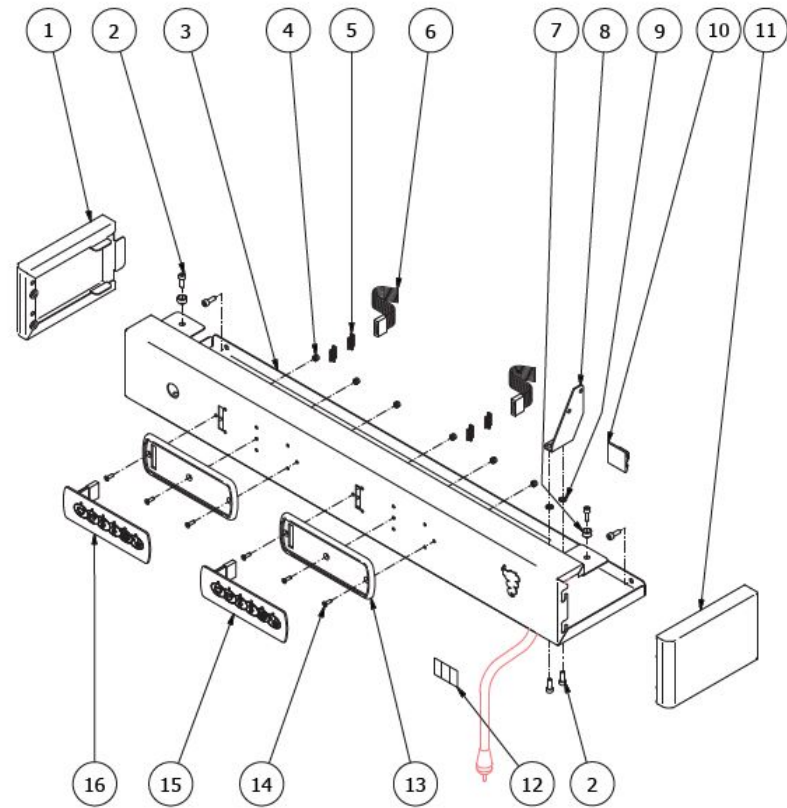
POS	CODE	DESCRIPTION
1	5961765	B2013 LEFT SIDE COMPLETE
1	5961765	B2013 LEFT SIDE COMPLETE
2	7816002	SCREW TCEI M4X12 UNI 5931 A2
2	7816002	SCREW TCEI M4X12 UNI 5931 A2
3	5094858LL	B2013 FRONTAL WORK DE 2GR W/COMPASS
3	5094865LL	B2013 FRONTAL WORK DE 3GR W/COMPASS
3	5094868LL	B2013 FRONTAL WORK DE 1GR W/COMPASS
3	5094858LL	B2013 FRONTAL WORK DE 2GR W/COMPASS
3	5094865LL	B2013 FRONTAL WORK DE 3GR W/COMPASS
3	5094868LL	B2013 FRONTAL WORK DE 1GR W/COMPASS
4	7802401	SELF-LOCKING NUT M3 UNI 7473
4	7802401	SELF-LOCKING NUT M3 UNI 7473
5	7636601	STRIP-LINE 8 POLES
5	7636601	STRIP-LINE 8 POLES
6	7663552	CONNECTING CABLE 8 POLES 1
6	7663553	CONNECTING CABLE 8 POLES 3
6	7663552	CONNECTING CABLE 8 POLES 1
6	7663553	CONNECTING CABLE 8 POLES 3
7	5220802	BUSHING D10 X 4.2 OT
7	5220802	BUSHING D10 X 4.2 OT
8	5038429LL	EV SUPPORT
8	5038429LL	EV SUPPORT
9	7814001	WASHER D4 DIN 6798A A2
9	7814001	WASHER D4 DIN 6798A A2
10	7611517	CLAMP
10	7611517	CLAMP
11	5961764	B2013 RIGHT SIDE COMPLETE
11	5961764	B2013 RIGHT SIDE COMPLETE
12	5521524	ITALIAN FLAG LABEL
12	5521524	ITALIAN FLAG LABEL

BEZZERA

B2013

TABLE 2B

B2013 Mod. DE - With automatic steam



BEZZERA**B2013**

TABLE 2B

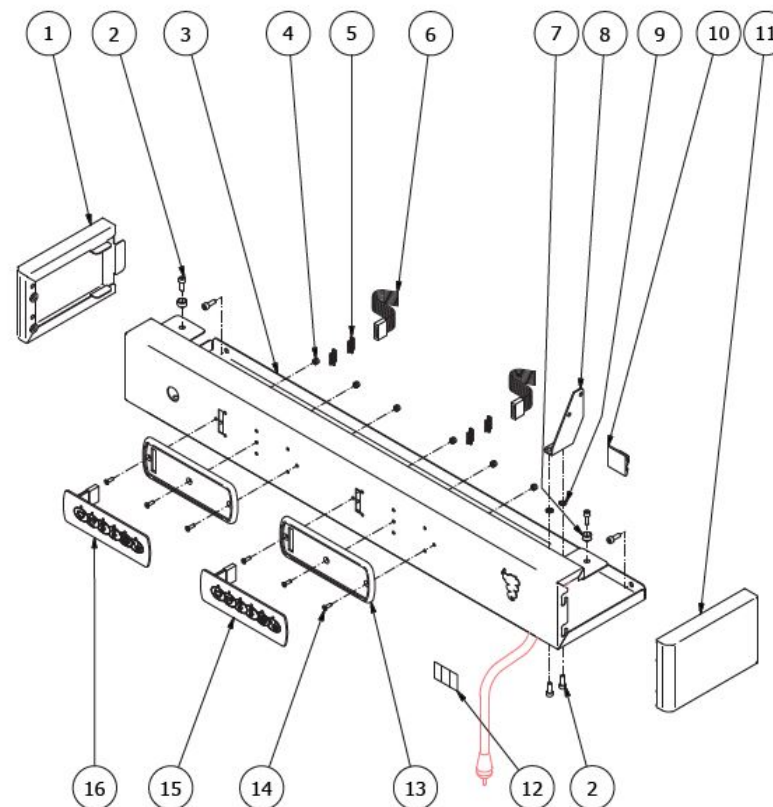
B2013 Mod. DE - With automatic steam

POS	CODE	DESCRIPTION
13	5372705	MEMBRANE-HOLDER ELL DE/TE BLACK
13	5372705	MEMBRANE-HOLDER ELL DE/TE BLACK
14	7817803	SCREW TPS M3X10 UNI 7688 DIN 965 A2
14	7817803	SCREW TPS M3X10 UNI 7688 DIN 965 A2
15	5660503	MEMBRANE TE 6 PUSH BUTTON 130X40
15	5660503	MEMBRANE TE 6 PUSH BUTTON 130X40
16	5660524	MEMBRANE DE
16	5660524	MEMBRANE DE

BEZZERA**B2013**

TABLE 2B

B2013 Mod. DE - With automatic steam



BEZZERA**B2013**TABLE 2C
B2013 Mod. PM

POS	CODE	DESCRIPTION
1	5961765	B2013 LEFT SIDE COMPLETE
2	7816002	SCREW TCEI M4X12 UNI 5931 A2
3	5094864LL	WORKING FRONTAL PANEL PM 2GR
3	5094867LL	B2013 FRONTAL WORK PM 3GR W/COMPASS
3	5094870LL	B2013 FRONTAL WORK PM 1GR W/COMPASS
4	5220802	BUSHING D10 X 4.2 OT
5	5038429LL	EV SUPPORT
6	7611517	CLAMP
7	7814001	WASHER D4 DIN 6798A A2
8	5961764	B2013 RIGHT SIDE COMPLETE
9	5521524	ITALIAN FLAG LABEL
10	7633338	BIPOLAR SWITCH CHROMED/BLACK FOR

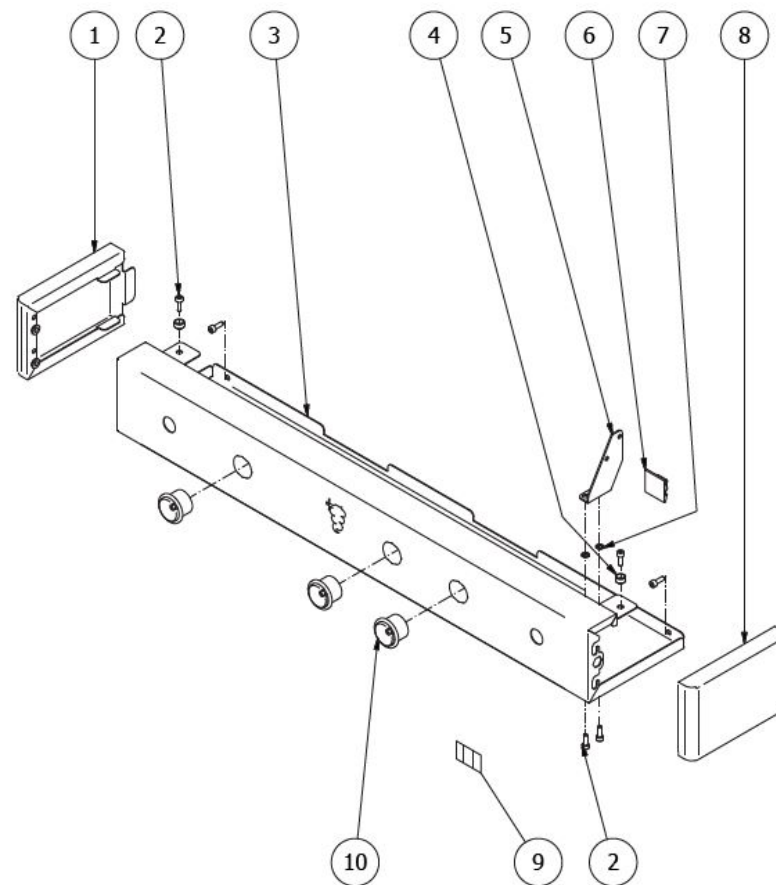
BEZZERA**B2013**TABLE 2C
B2013 Mod. PM

TABLE 3
B2013 Mod. DE-PM

POS	CODE	DESCRIPTION
1	7817001	SCREW TPS M5X16 DIN 963 A2
2	5470501	SHOWER D57 AISI 304
3	5285501TP	SHOWER-HOLDER D57OT
4	7493008	CONICAL GASKET H9.3 NBR 90SH PEROS.
5	5280505TW	COUPLING RING USED W/CONICAL GASKET
6	7496004	OR GASKET 139 VITON
7	5283520.01	CARTRIDGE FLANGE D65X14,5 ALUMINUM
8	5963099.01	ASSY HEATING ELEMENT 110V
8	5963101.01	ASSY HEATING ELEMENT 220/240V
9	7634808	THERMAL SAFETY DEVICE 250V 95°C
10	7816014	SCREW M8X20 UNI5931 A2
11	7814002	NOTCHED WASHER D4
12	7816021	SCREW TCEI M5X25 UNI 5931 A2
13	5301504TR	UNION ELBOW 1/8
14	5018460.01CT	SUPPORT COUPLING RING
15	5162316LL	PIPE FOR GROUP SOLENOID VALVE B2009
16	5302004	STRAIGHT FITTING 1/8
17	5302014	STRAIGHT FITTING M13 X 1/8
18	5223003	JET M6 X 6 HOLE D0.8 OT
19	7702311	SOLENOID VALVE 3 WAYS 230V PARKER
19	7702410	PARKER SOLENOID VALVE 3 WAYS 240V
19	7701112	SOLENOID VALVE PARKER 3 WAYS 110V
20	7703014	PARKER SMALL ELECTRO-PILOT3 WAYS
21	7630332	SOLENOID VALVE COIL 115V PARKER
21	7630331	SOLENOID VALVE COIL 230V PARKER
21	7630330	SOLENOID VALVE COIL 240V PARKER
22	5370313	GROUP E.VALVE DRAIN RUBBER HOLDER
23	7611516	CLAMP 10086

TABLE 3
B2013 Mod. DE-PM

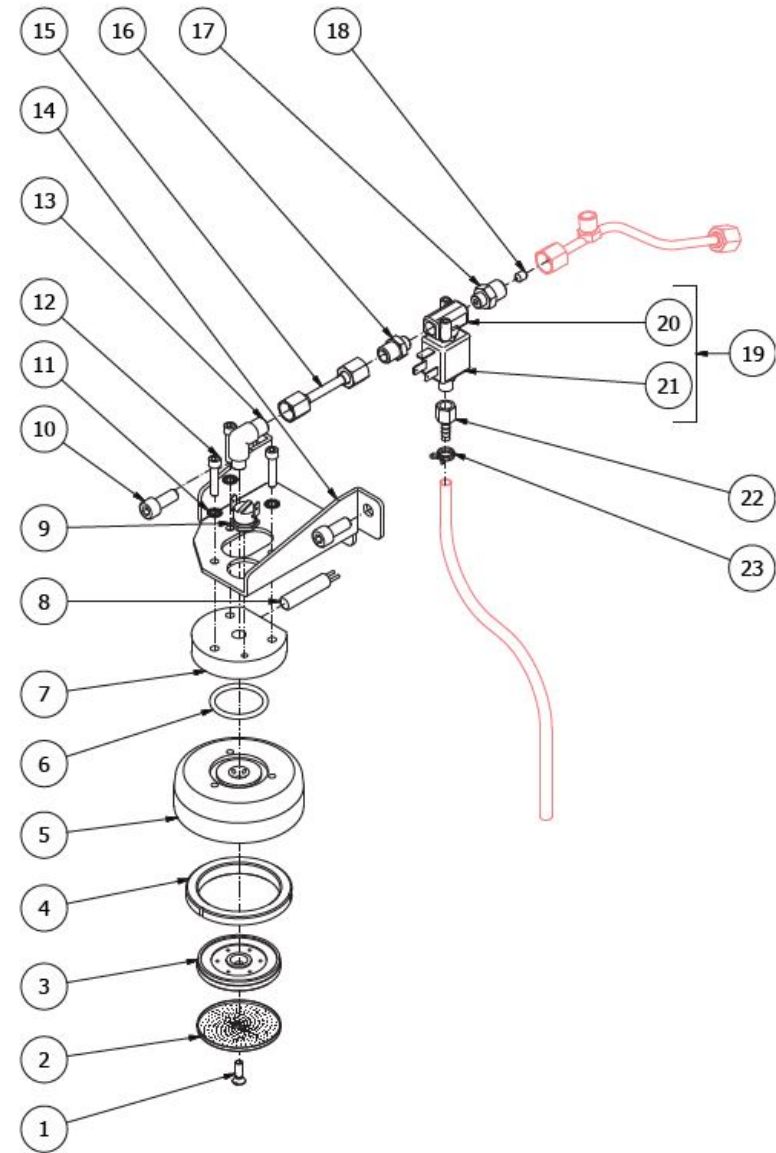


TABLE 4
B2013 Mod. DE-PM

POS	CODE	DESCRIPTION
1	5032402.01LL	ELECTRIC BOX W/COMPASSES
2	7612513	4 CONTACTS CLIP
3	7662740.01PR	DOSAGE UNIFIED DE 110/120V WITHOUT
3	7662741.01PR	ELECTRONIC DOSAGE DE 220/240V
3	7662746	DOSAGE DE 110/120V W/VAP
3	7662747	C2013 DE 220/240V CONTROL BOARD
3	7662641.02PR	CONTROL UNIT UNIFIED 110/120V
3	7662643.02PR	ELECTRONIC DOSAGE 220/240
3	7662748PR	DOSAGE DE 110/120V MIX/VAP
3	7662749PR	DOSAGE DE 220/240V MIX/VAP
4	7633344R	SWITCH
5	5859919	THICKNESS
6	7635423	RELAY 30A 110V
6	7635422	RELAY 30A 220/240V
7	7614002	CABLE-PRESS PG21 POLYAMIDE
8	7614004	NUT PG21 ES.30 H6 POLYAMIDE
9	7633625	ORANGE LAMP
10	7633626	RED LED
11	7371513	BLACK KNOB D40
11	7371521	BLACK KNOB
12	7633624	GREEN LAMP
13	7809800	TAPPING SCREW TC D3.9 X 9.5
14	5373104.01LL	DRAIN PAN COVER NYLON WORKED
15	5374501.01	BLACK DRAIN BASIN NYLON
16	7303503	PIPE D12.7X18.8 3/4FC L=200CM
17	5225294	FITTING M/F 3/4X3/8
18	7821403	NUT M6 UNI 5587 OT
19	7816027	SCREW TCEI M5X8 UNI5931 A2
20	7814002	NOTCHED WASHER D4
21	7805004	PLAIN WASHER D6 UNI 6592 FEZN

TABLE 4
B2013 Mod. DE-PM

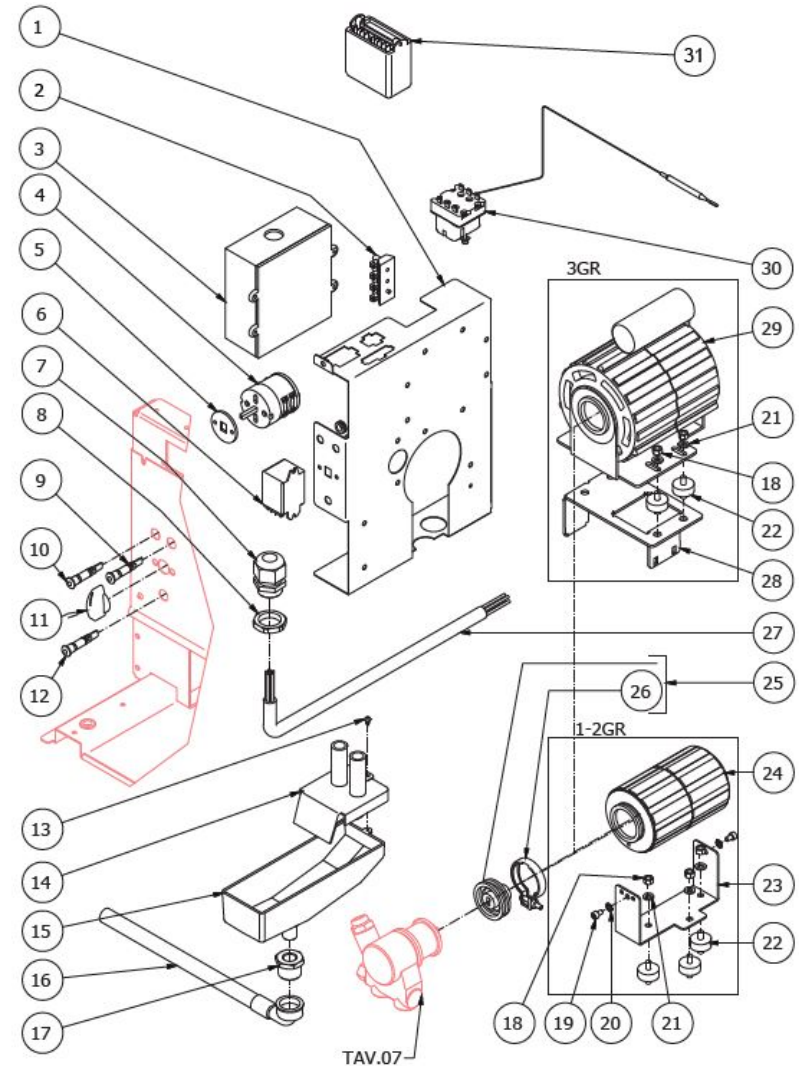


TABLE 4
B2013 Mod. DE-PM

POS	CODE	DESCRIPTION
22	7470601	VIBRATION-DAMPING D25X10
23	5038437LW	B2013 1/2GR. ENGINE SUPPORT
24	7741005.01	ELECTRICAL MOTOR 110V 25MF 50/60HZ
24	7742404.01	ELECTRIC MOTOR 220/240V 6MF 50/60HZ
25	7730508	KIT PUMP 48YZ
26	7611508	PUMP CLAMP
27	3551501	CONNECTING CABLE SOOW 3X12 AWG (1 G
27	3556003	CONNECTING CABLE SOOW 3X10 AWG (2-3
27	3552404.02	CABLE H07RNF 3X2.5-2,2MT S/KIT
27	3552703.01	CABLE H07RNF 3X4-2,2MT WITHOUT KIT
27	3553904.02	CABLE H07RNF 5X2.5-2,2MT S/KIT
28	5038440LL	ENGINE SUPPORT 3GR W/COMPASSES
29	7742206	ELECTRIC MOTOR 220/240V 10MF
29	7741102	ELECTRIC MOTOR 110V 18MF
30	7434001	THERMOSTAT MANUAL
31	7661033.02PR	LEVEL REGULATOR 3S 110/120V
31	7661043.01PR	LEVEL REGULATOR 3S 220/240V

TABLE 4
B2013 Mod. DE-PM

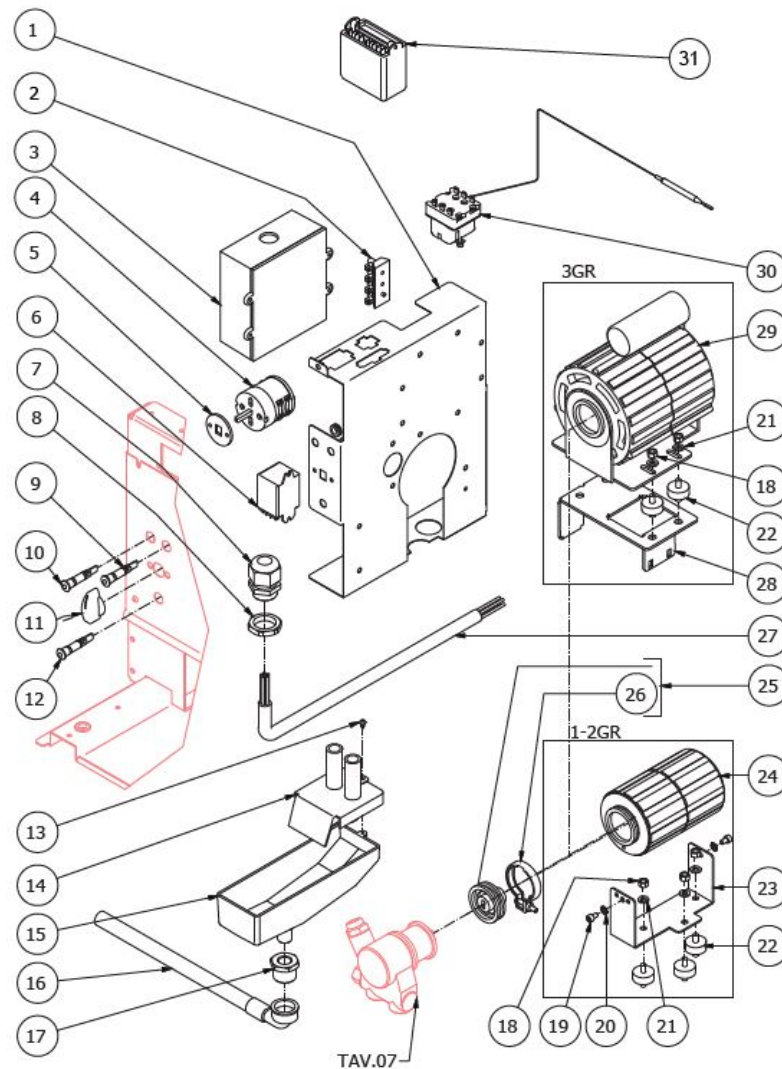


TABLE 5
B2013 Mod. DE-PM

POS	CODE	DESCRIPTION
1	5321015.01BL	BOILER 2GR.
1	5321515.01BL	BOILER 3GR.
1	5320515.01BL	BOILER 1GR.
2	5226403	PLUG 3/8
3	5492005	GASKET D203 X 151 X 2 ASBESTOS FREE
4	5283522AL	BOILER FLANGE D206 OT60-LF
5	7816424	SCREW TE M10X18 DIN 933 A2
6	7615003	FASTON 45° HOLE D4.3
7	7814002	NOTCHED WASHER D4
8	7826212	SCREW TCI M4X6 UNI 6107 OT
9	5492006	GASKET D76 X 39 X 2 ASBESTOS FREE
10	5722241	HEATING ELEMENT 1GR 1850/2200W 220/240V
10	5721131	HEATING ELEMENT 2GR 2600W 110/120V
10	5722242	HEATING ELEMENT 2GR 2750/3300W 220/240V
10	5721132AL	COPPER HEATING ELEMENT 110V 3000W
10	5722243AL	HEATING ELEMENT 220/240V-4600/5450W
10	5722249	HEATING ELEMENT 1GR 1400W 110/120V
11	7816423	CREW TE M8X18 UNI5739 A2
12	5226404	PLUG M10 H12 OT
13	5226405TP	CAP 1/4
13	5301512	UNION ELBOW M12 X 1/4
14	5192001	PROBE SHEATH D8 X 45 HOLE D3 PTFE
15	5225205	STRAIGHT FITTING M10 OT
16	5265811	LEVEL PROBE D3X160X4.8
17	5265804	LEVEL PROBE D3 X 110 X 6.3
17	5265807	LEVEL PROBE 2-3-4GR. D3X90X6.3 AISI
18	5226417.01DC	PLUG 1/8
19	5264017.01DC	STUD
20	7496094	O-RING GASKET 102 VITON 70SH
21	5963047	CUP+O-RING+PLUG

TABLE 5
B2013 Mod. DE-PM

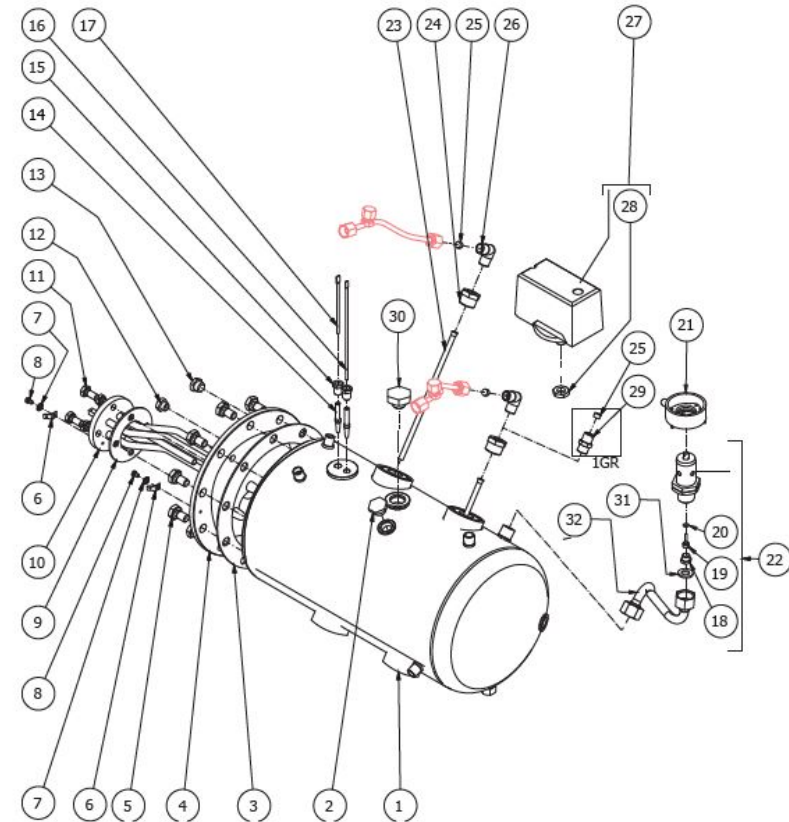


TABLE 5
B2013 Mod. DE-PM

POS	CODE	DESCRIPTION
22	5965015.06	COMPLETE SAFETY VALVE 1,65 BAR
23	5192316	PESCANTE D6X1 L=180 PTFE B2013
24	5225415.01	FITTING 1/2
25	5471019	FILTER D8,5X5 AISI304
26	5301506TR	UNION ELBOW M13X1/4
27	7433001	PRESSOSTAT SIRAI P302/6
28	5221821	NUT 1/4
29	5302019	FITTING M13 X ES.15 H25.5 OT
30	5226406	PLUG 1/2
31	5492021	GASKET D18x10x2
32	5164087LL	SAFETY VALVE PIPE

TABLE 5
B2013 Mod. DE-PM

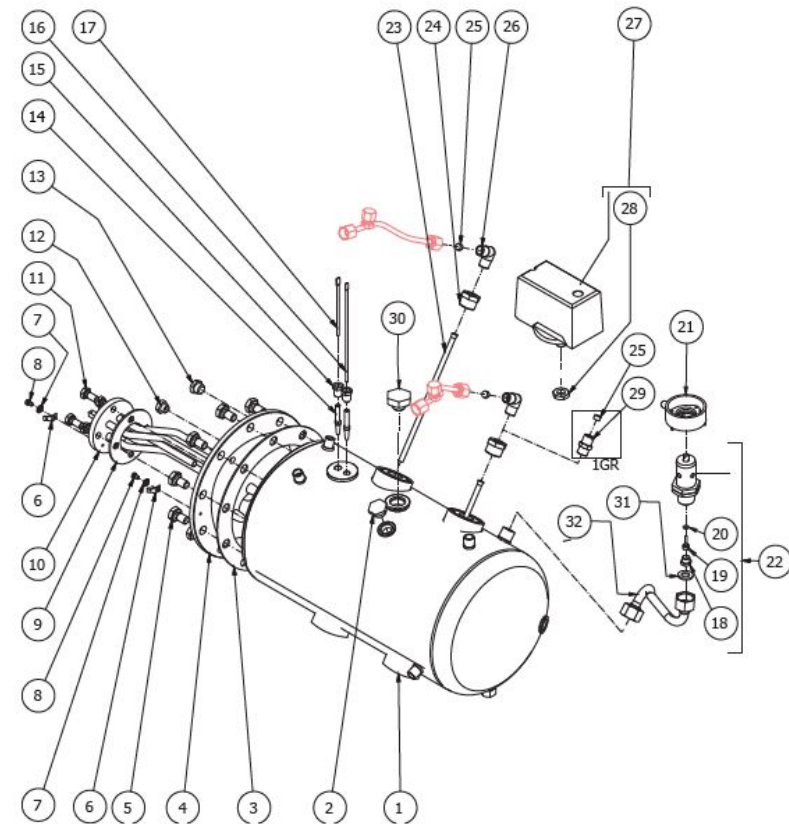


TABLE 6
B2013 Mod. DE-PM

POS	CODE	DESCRIPTION
1	5163296LL	STEAM HOSE
2	5964028	TAP COMPLETE NEW WATER HOSE
3	5283002	TAP BODY OT
4	7822201	CAP NUT M4 OT
5	7825001	PLAIN WASHER D8 X 4 X 0.8 OT
6	5493023	TAP GASKET EPT 70SH
7	5970504.01	COMPLETE GASKET-HOLDER OVERSIZE
8	7496002	OR GASKET 115 VITON
9	7496075	OR GASKET 10,82X1,78 VITON
10	5220413	ROD TAP B2/3000 OVERSIZE
11	5495001	WASHER D28 X 1 COPPER
12	5223402	OVERSIZE TAP NUT SCREW OT
13	7810601	RING D7 UNI 7434 A2
14	5221804NC	NUT 3/8
15	5371803	KNOB D48 B2000
16	7804002	FAN WASHER D6 BURNISHED
17	5373905	STEAM PLASTIC PLUG D45
18	7826202	SCREW TCI M5X10 UNI 6107 OT
19	5163290LL	WATER HOSE
20	5302014	STRAIGHT FITTING M13 X 1/8
21	5194595	HOSE D15X10 L=500MM SILICONE (1-2GR
21	5194618	HOSE D15X10 L=600MM SILICONE X3GR
22	7611502	CLAMP D14
23	5329015DC	MIXER BODY
24	5226601TW	WATER HOSE TERMINAL
25	5302014	STRAIGHT FITTING M13 X 1/8
26	7701111	SOLENOID VALVE PARKER 115V VITON
26	7702310	SOLENOID VALVE PARKER 230V
26	7702409	PARKER SOLENOID VALVE 240V VITON
27	7630327	SOLENOID VALVE COIL 110V PARKER

TABLE 6
B2013 Mod. DE-PM

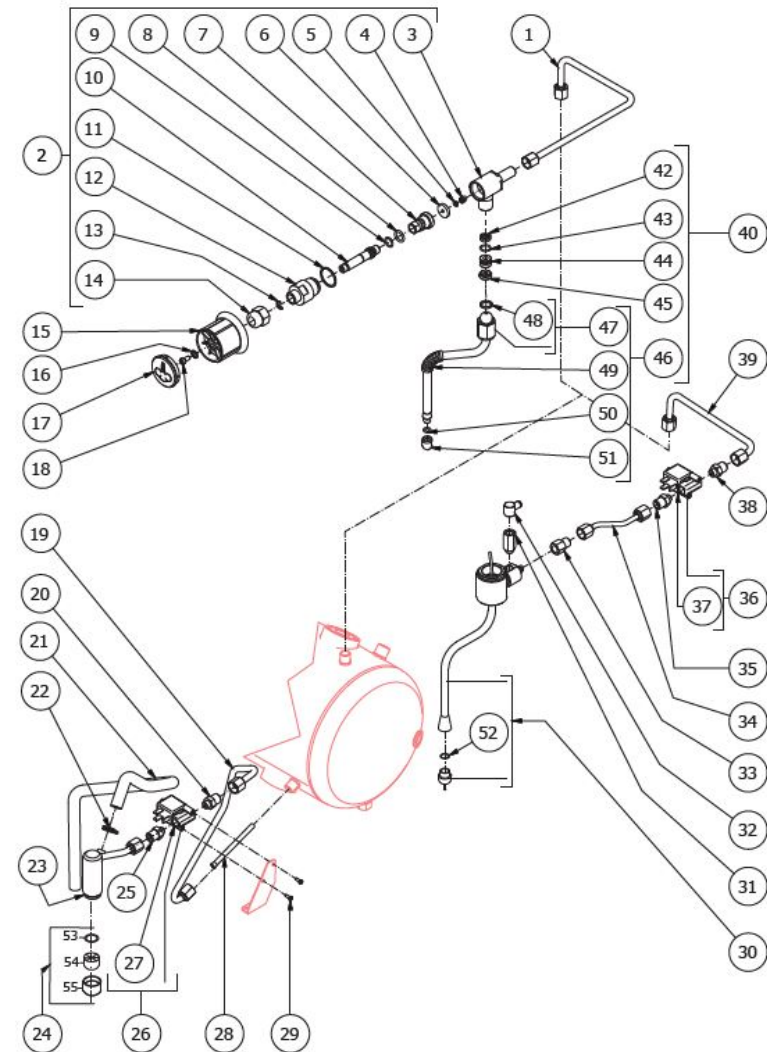


TABLE 6
B2013 Mod. DE-PM

POS	CODE	DESCRIPTION
27	7630328	SOLENOID VALVE COIL 220/230V PARKER
27	7630329	SOLENOID VALVE COIL 240V PARKER
28	5192307LL	WATER SAUCTION HOSE D6X1 L=80
29	7816016	SCREW TCEI M3X6
30	7479987	NOZZLE STEAM WITH TIMER PROBE 011
31	5222223	SPACER
32	7402402	REGULATOR
33	5225414	FITTING M14XM13
34	5162327LL	TUBE EV.STEAM SPEAR
35	5302014	STRAIGHT FITTING M13 X 1/8
36	7701111	SOLENOID VALVE PARKER 115V VITON
36	7702310	SOLENOID VALVE PARKER 230V
36	7702409	PARKER SOLENOID VALVE 240V VITON
37	7630327	SOLENOID VALVE COIL 110V PARKER
37	7630328	SOLENOID VALVE COIL 220/230V PARKER
37	7630329	SOLENOID VALVE COIL 240V PARKER
38	5302014	STRAIGHT FITTING M13 X 1/8
39	5163287LL	STEAM EV.TUBE DX ELL
40	5966560.01	ASSEMBLY COMPLETE STEAM HOSE
42	5471504	SPRING D14 AISI 302
43	7496076	GASKET OR 112 EP856 80SH
44	5224605	GASKET-HOLDER D14.7 X 10.5 OT
45	5494002	GASKET D.16X13.1X6 PTFE GRAPHITIZED
46	7479984	STEAM HOSE INOX
47	5221871NC-LL	NUT M18X1 NICKEL-PLATED WITH GASKET
48	5494009	GASKET D16X13,2X2 PTFE
49	7371003	STEAM PIPE PROTECTION
50	7496084	GASKET OR D6,4X1,9 NBR70
51	7305015	STEAM HOSE 4 HOLES NO BURN
52	7496091	OR GASKET 108

TABLE 6
B2013 Mod. DE-PM

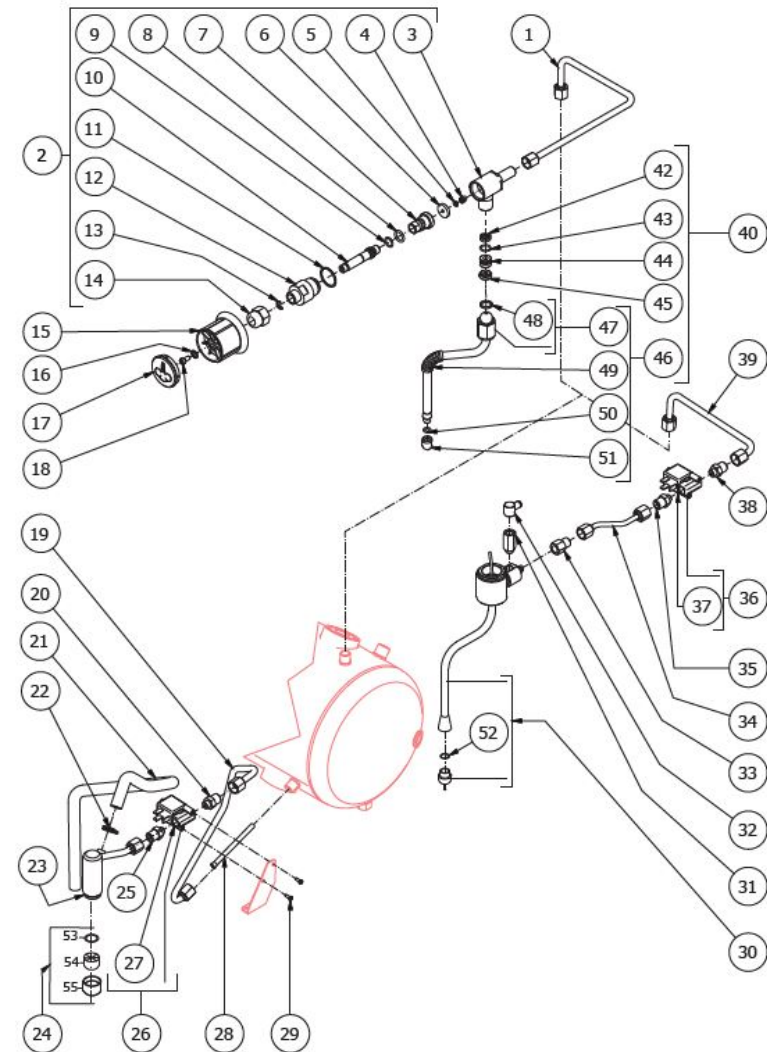


TABLE 6
B2013 Mod. DE-PM

POS	CODE	DESCRIPTION
53	5493003	GASKET D20.5X15 H1.5 NBR 70SH
54	7999918	SHOWER TERMINAL WATER
55	7305020TW	WATER TERMINAL

TABLE 6
B2013 Mod. DE-PM

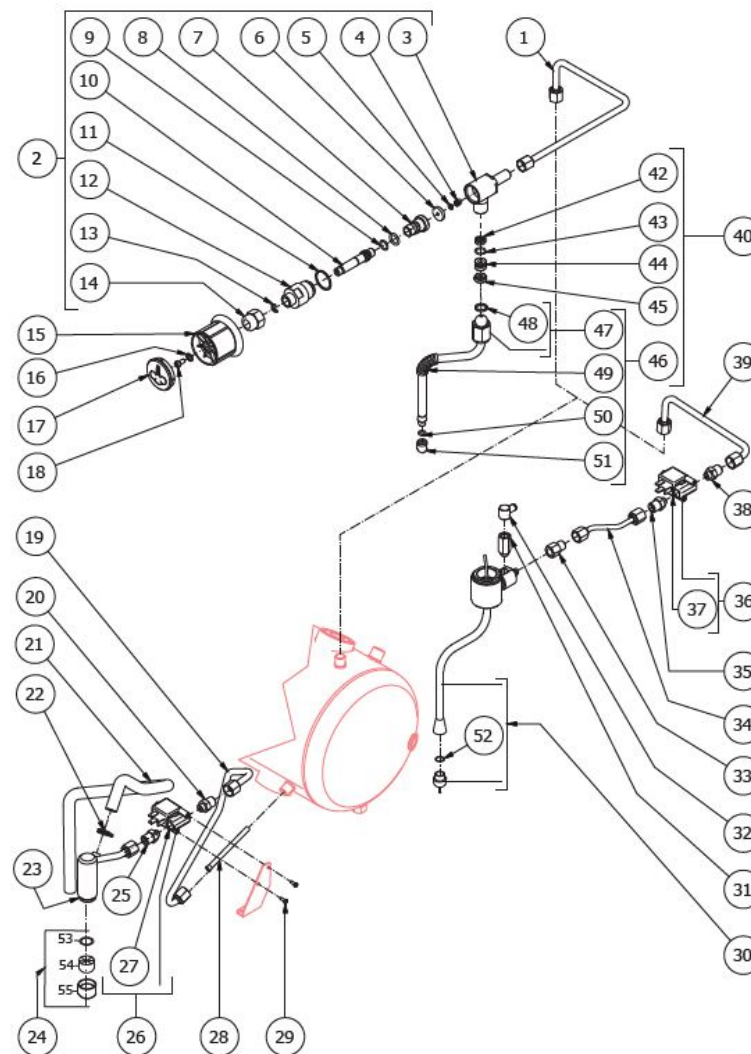


TABLE 6A
B2013 Mod. DE-PM

POS	CODE	DESCRIPTION
1	5964028	TAP COMPLETE NEW WATER HOSE
2	5283002	TAP BODY OT
3	7822201	CAP NUT M4 OT
4	7825001	PLAIN WASHER D8 X 4 X 0.8 OT
5	5493023	TAP GASKET EPT 70SH
6	5970504.01	COMPLETE GASKET-HOLDER OVERSIZE
7	7496002	OR GASKET 115 VITON
8	7496075	OR GASKET 10,82X1,78 VITON
9	5220413	ROD TAP B2/3000 OVERSIZE
10	5495001	WASHER D28 X 1 COPPER
11	5223402	OVERSIZE TAP NUT SCREW OT
12	7810601	RING D7 UNI 7434 A2
13	5221804NC	NUT 3/8
14	5373906	WATER PLASTIC PLUG D45
15	5373905	STEAM PLASTIC PLUG D45
16	7826202	SCREW TCI M5X10 UNI 6107 OT
17	7804002	FAN WASHER D6 BURNISHED
18	5371803	KNOB D48 B2000
19	5966560.01	ASSEMBLY COMPLETE STEAM HOSE
21	5471504	SPRING D14 AISI 302
22	7496076	GASKET OR 112 EP856 80SH
23	5224605	GASKET-HOLDER D14.7 X 10.5 OT
24	5494002	GASKET D.16X13.1X6 PTFE GRAPHITIZED
25	7479984	STEAM HOSE INOX
26	5221871NC-LL	NUT M18X1 NICKEL-PLATED WITH GASKET
27	5494009	GASKET D16X13,2X2 PTFE
28	7371003	STEAM PIPE PROTECTION
29	7496084	GASKET OR D6,4X1,9 NBR70
30	7305015	STEAM HOSE 4 HOLES NO BURN
31	5163286LL	STEAM HOSE SX

TABLE 6A
B2013 Mod. DE-PM

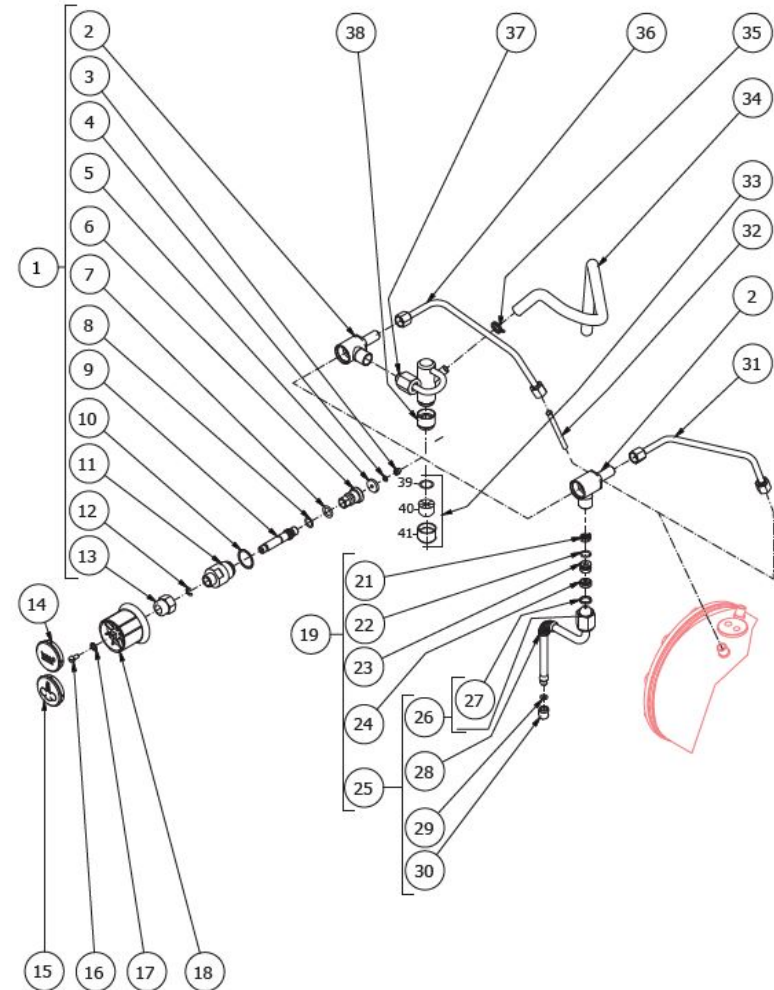


TABLE 6A
B2013 Mod. DE-PM

POS	CODE	DESCRIPTION
32	5192301	SUCTION D6X1 L=130MM PTFE
33	5226601TW	WATER HOSE TERMINAL
34	5194595	HOSE D15X10 L=500MM SILICONE (1-2GR
34	5194618	HOSE D15X10 L=600MM SILICONE X3GR
35	7611502	CLAMP D14
36	5163304LL	HOSE TAP
37	5329016DC	MIXER BODY
38	5225306TW	EXTENSION
39	5493003	GASKET D20.5X15 H1.5 NBR 70SH
40	7999918	SHOWER TERMINAL WATER
41	7305020TW	WATER TERMINAL

TABLE 6A
B2013 Mod. DE-PM

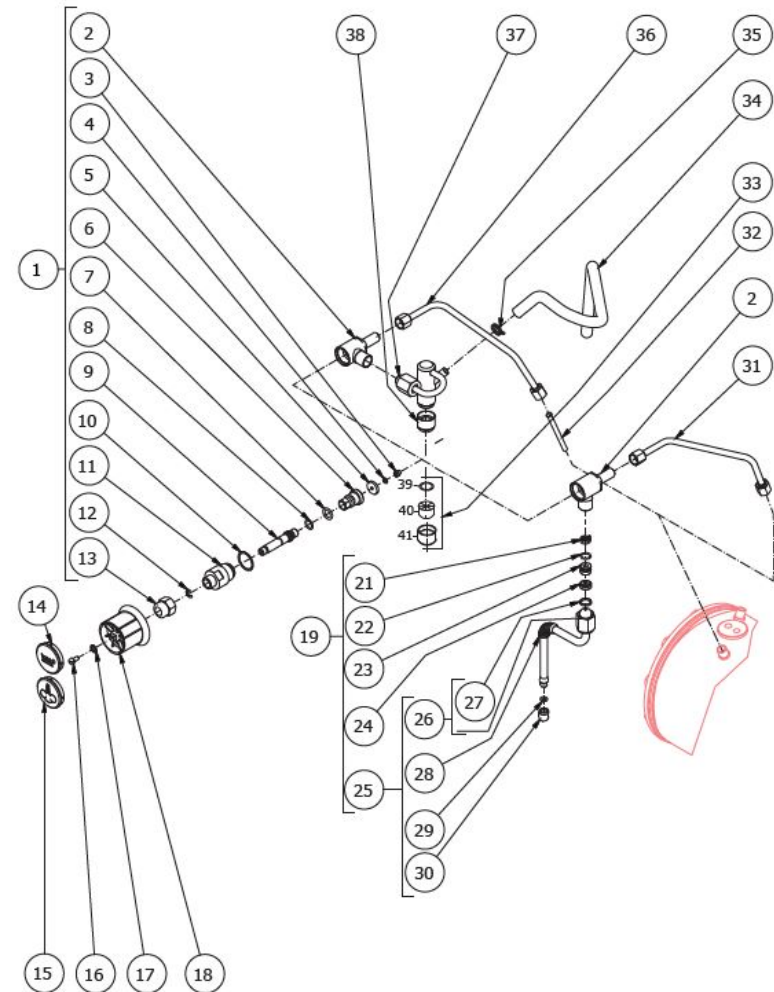


TABLE 6B

B2013 Mod. DE - With mixer

POS	CODE	DESCRIPTION
1	5301507TR	UNION ELBOW M13X3/8
2	5302014	STRAIGHT FITTING M13 X 1/8
3	7702312	PARKER SOLENOID VALVE 220/240V
3	7701114	PARKER SOLENOID VALVE 110/115V
4	7703011	SOLENOID VALVE WITHOUT COIL PARKER
5	7630325	SOLENOID VALVE COIL 220/240V PARKER
5	7630324	SOLENOID VALVE COIL 110V PARKER
6	5225238	FITTING M13X1/8
7	5223003	JET M6 X 6 HOLE D0.8 OT
8	5471019	FILTER D8,5X5 AISI304
9	5162339LL	INLET AUTOMATIC LEVEL HOSE
10	7816016	SCREW TCEI M3X6
11	5038429LL	EV SUPPORT
12	5192307LL	WATER SAUCTION HOSE D6X1 L=80
13	5226601TW	WATER HOSE TERMINAL
14	5226610TW	WATER HOSE TERMINAL D23.5X18 OT CHR
15	7496003	OR GASKET 108 VITON
16	5163313LL	MIXER
17	5194606LL	HOSE PTFE D4X2 L400MM
18	5163290LL	WATER HOSE
19	5302004	STRAIGHT FITTING 1/8
20	7402403	REGULATOR
21	5162338LL	INCOMING WATER HOSE
22	5038436LL	EV SUPPORT
23	5163288LL	BOILER CHARGE PIPE ELLISSE
24	7630327	SOLENOID VALVE COIL 110V PARKER
24	7630328	SOLENOID VALVE COIL 220/230V PARKER
24	7630329	SOLENOID VALVE COIL 240V PARKER
25	7702310	SOLENOID VALVE PARKER 230V
25	7701111	SOLENOID VALVE PARKER 115V

TABLE 6B

B2013 Mod. DE - With mixer

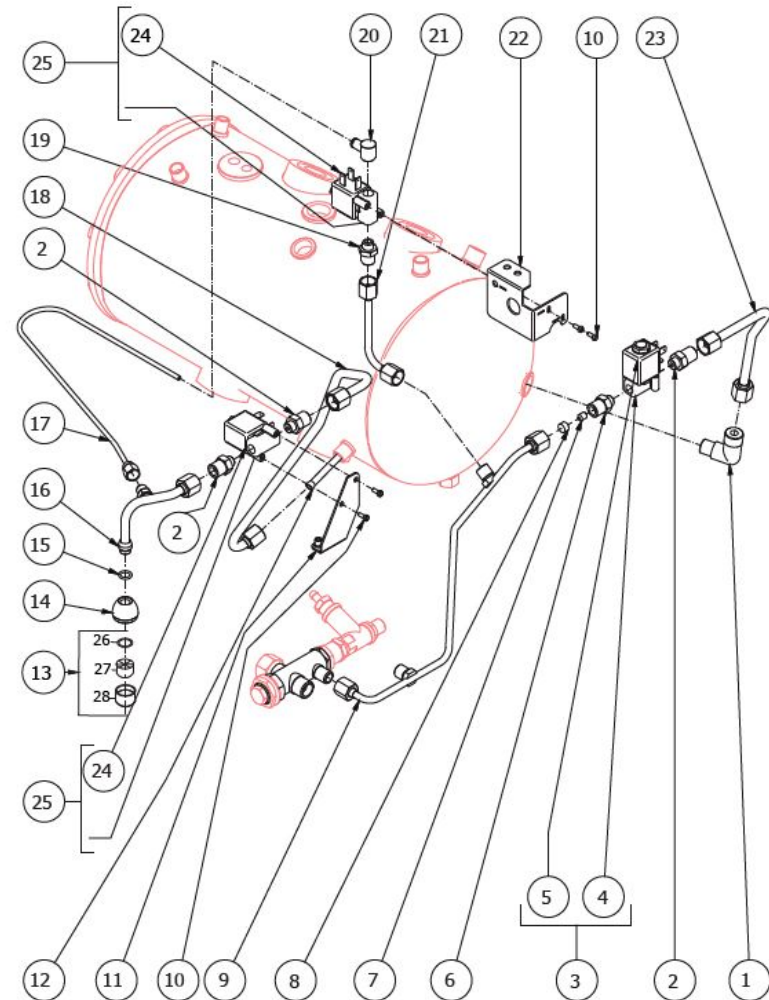


TABLE 6B
B2013 Mod. DE - With mixer

POS	CODE	DESCRIPTION
25	7702409	SOLENOID VALVE PARLER 240V
26	5493003	GASKET D20.5X15 H1.5 NBR 70SH
27	7999918	SHOWER TERMINAL WATER
28	7305020TW	WATER TERMINAL

TABLE 6B
B2013 Mod. DE - With mixer

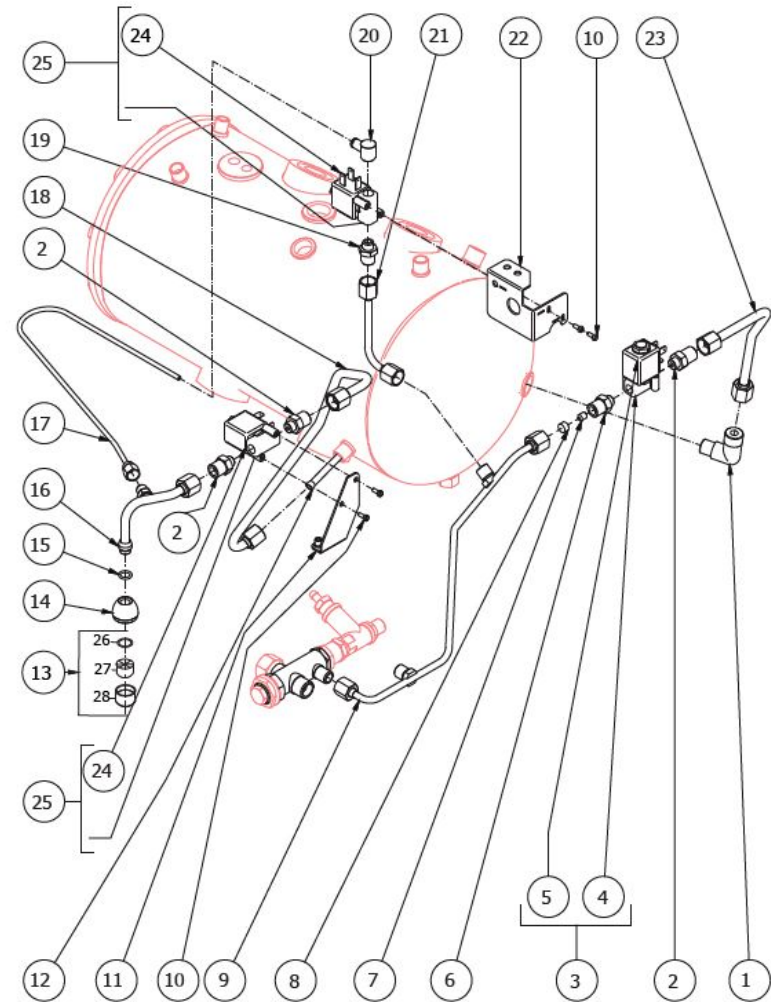


TABLE 7
B2013 Mod. DE-PM

POS	CODE	DESCRIPTION
1	7730506	ROTARY PUMP 100L/H PA104X
1	7730507	ROTARY PUMP 200L/H PA204X
2	7374005	PROCON PUMP FILTER
3	7496033	OR GASKET 2075 VITON
4	7611508	PUMP CLAMP
5	7730508	KIT PUMP 48YZ
6	7200512	FLEXIBLE HOSE 3/8x3/8
7	7200516	STAINLESS STEEL FLEX 3/8
7	7200517	STAINLESS STEEL FLEX 3/8
8	5302012.01AL	STRAIGHT FITTING 3/8
9	5221819	CAP NUT 3/8
10	5492011	GASKET D15X3 ASBESTOS FREE
11	5302078	FITTING 1/4"G X 3/8"G
12	7451501	BALL VALVE 1/4
13	5495005	GASKET D13,5X18X2
14	5301501TR	UNION ELBOW
15	5163326LL	BOILER DRAIN HOSE

TABLE 7
B2013 Mod. DE-PM

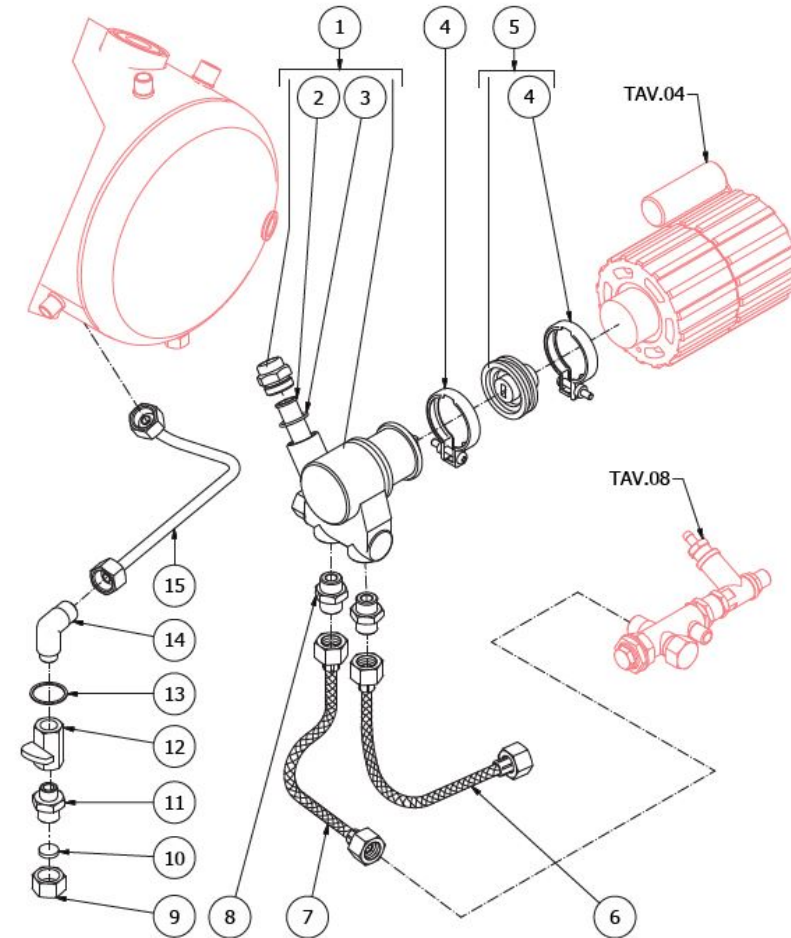


TABLE 8
B2013 Mod. DE-PM

POS	CODE	DESCRIPTION
1	5965164	ASSEMBLY ELLISSE SURPR.VALVE
2	5302071	FITTING RUBBER-HOLDER M12X1 OT
3	7496052	OR GASKET 114 VITON
4	5471506.01	CALIBRATED SPRING D1.1 H32 AISI302
5	5224619TP	O'RING HOLDER SPIGOT D5.3 PB-NI FRE
6	5493001	GASKET D8 X 4 EPT70
7	5283048	SURPRESSION VALVE BODY
8	7496018	OR GASKET 105
9	5224615TP	GASKET-HOLDER
10	5471505	CALIBRATED SPRING D0.45 H22 AISI302
11	5302018	STRAIGHT FITTING M12 X M13 H26.5 OT
12	5221821	NUT 1/4
13	5302061	FITTING M/F 3/8
14	5471002	FILTER D13.5 H11 AISI 304
15	5221819	CAP NUT 3/8
16	5302501	MULTIPLE FITTING 5 WAY OT
17	5999906	WASHER 20 X 30 COPPER
18	5221823	NUT 1/2
19	5226405TP	CAP 1/4
20	5194550	HOSE D8x5 SILICONE L=400 1GR
20	5194551	HOSE D8x5 SILICONE L=450 1GR
20	5194549	HOSE D8x5 SILICONE L=350

TABLE 8
B2013 Mod. DE-PM

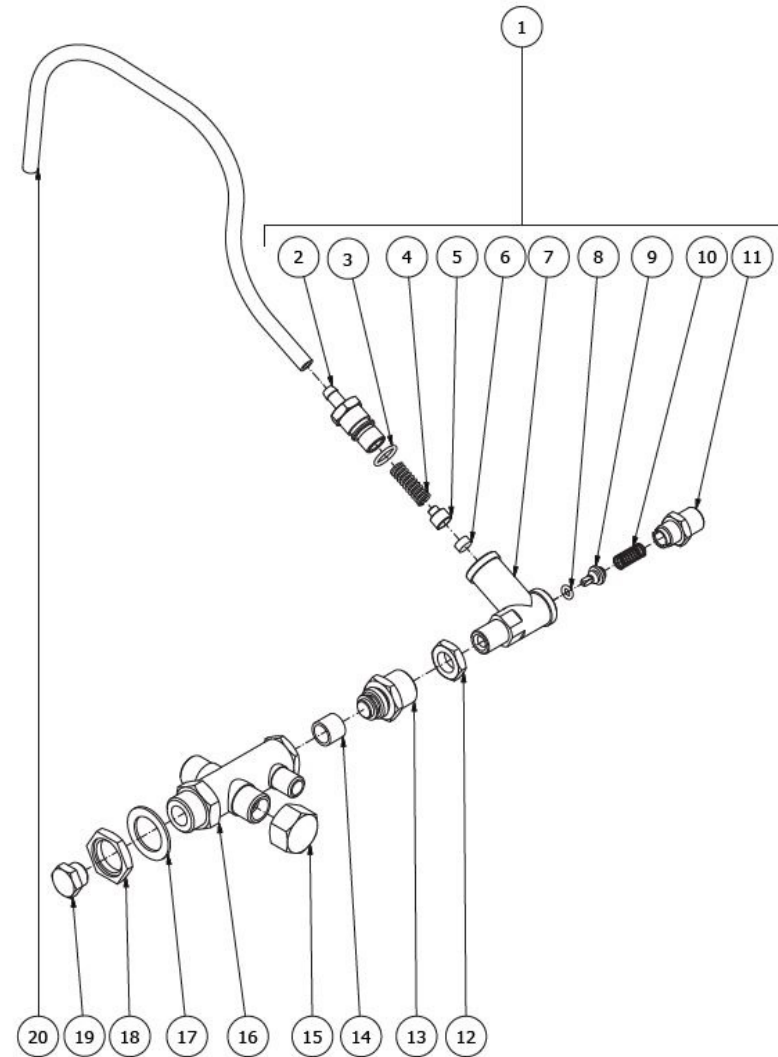


TABLE 9
B2013 Mod. DE-PM

POS	CODE	DESCRIPTION
1	5226415	FITTING 1/2"G
2	7304502TR	STRAIGHT FITTING 1/8
3	5492020	GASKET D11.5 X 2
4	5221840	CAP NUT M13 OT
5	5192307LL	WATER SAUCTION HOSE D6X1 L=80
6	7432524	PRESSURE GAUGE D60 DOUBLE SCALE 1/8
7	7400901	PRESSURE GAUGE CAPILLARY
7	7400904	CAPILL.1,27X2,51X800 1/8-M12
7	7400907	CAPILLARY 1,27X2,51X950 1/8-M12
8	7400901	PRESSURE GAUGE CAPILLARY
9	5162218LL	INLET AUTOMATIC LEVEL HOSE
10	5471019	FILTER D8,5X5 AISI304
11	5223003	JET M6 X 6 HOLE D0.8 OT
12	5225238	FITTING M13X1/8
13	5301507TR	UNION ELBOW M13X3/8
14	5163288LL	BOILER CHARGE PIPE ELLISSE
15	5302014	STRAIGHT FITTING M13 X 1/8
16	7701114	PARKER SOLENOID VALVE 110/115V
16	7702312	PARKER SOLENOID VALVE 220/240V
17	7630325	SOLENOID VALVE COIL 220/240V PARKER
17	7630324	SOLENOID VALVE COIL 110V PARKER
18	7703011	SOLENOID VALVE WITHOUT COIL PARKER
19	5225307	FITTING 1/8
20	5301512	UNION ELBOW M12 X 1/4

TABLE 9
B2013 Mod. DE-PM

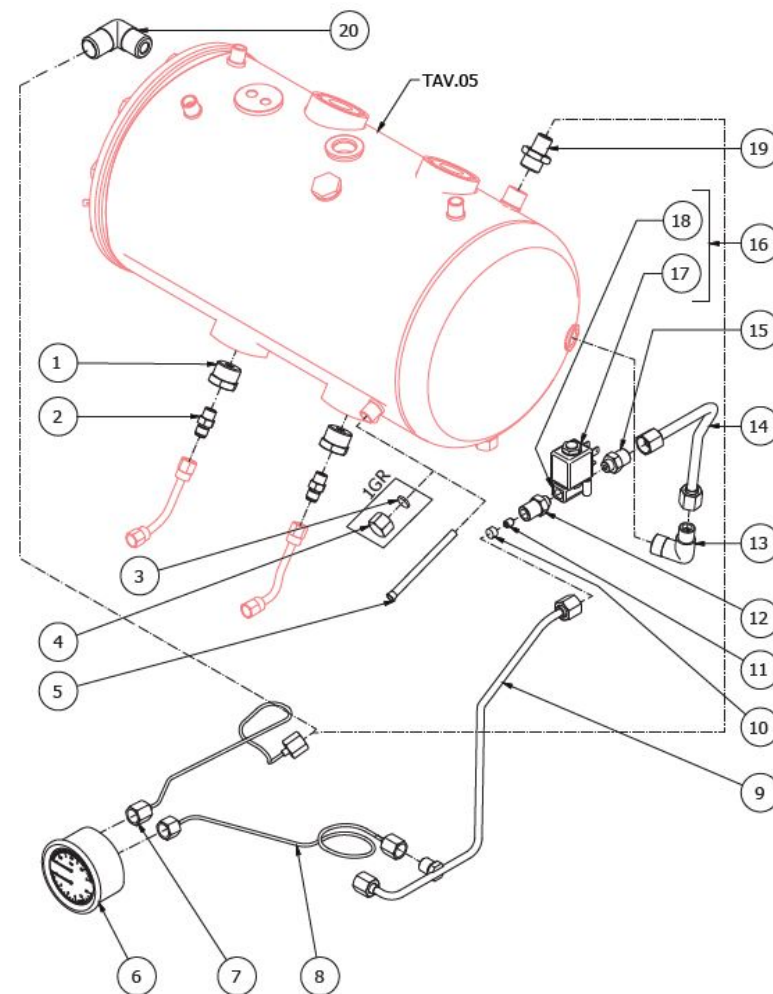


TABLE 10
B2013 Mod. DE-PM

POS	CODE	DESCRIPTION
1	5038448LL	LEVELGLASS SUPPORT W/COMPASSES
2	7303044TR	FITTING 3/8
3	5221836	RING NUT 3/8
4	5493004	GASKET D14.5 X 10 X 7 RUBBER 75SH
5	5430504	GLASS-LEVEL HOSE D10 X 2.2 L=135MM
6	7400901	PRESSURE GAUGE CAPILLARY
7	5163322LL	DRAIN TUBE CLD+V/LEVEL
8	5302011	STRAIGHT FITTING 3/8
9	5163328LL	LEVEL SUP.TUBE

TABLE 10
B2013 Mod. DE-PM

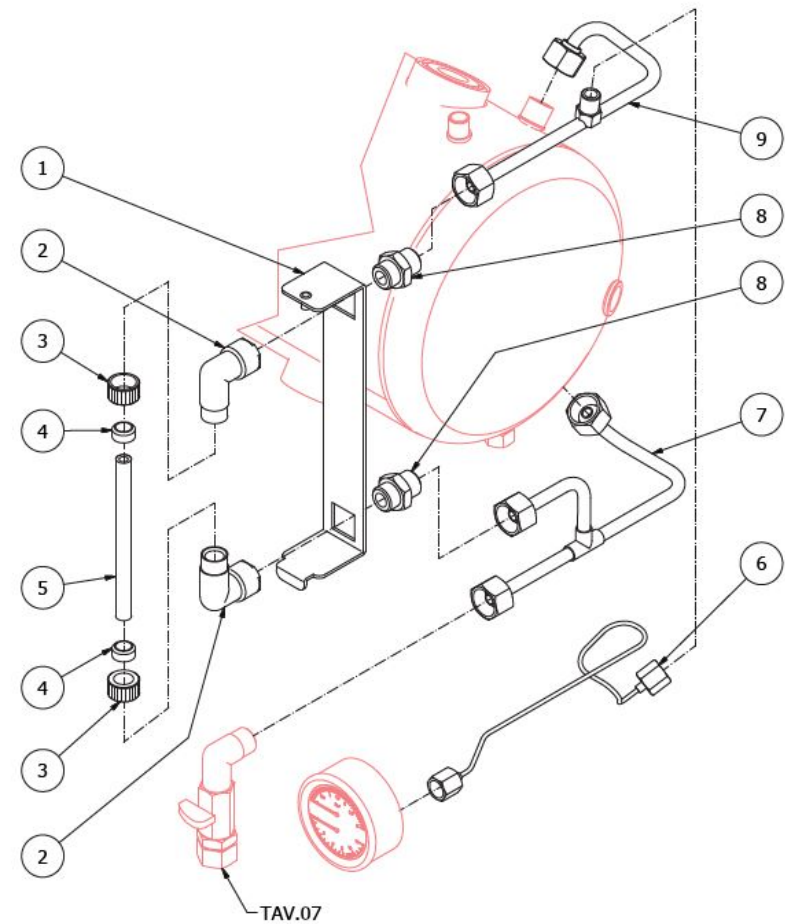


TABLE 11
B2013 Mod. DE-PM

POS	CODE	DESCRIPTION
1	5372101	BLACK MEASURE
2	5373001	COFFEE-PRESS ABS
3	7990603	CLEANING BRUSH FOR COFFEE MACHINE
4	5471003	BLIND FILTER AISI 304
5	5471031.01	FILTER 1 CUP 8 GRAMS
6	5471035	FILTER 2 CUPS 16 GR RIBBED
7	5965587.01R	FILTER-HOLDER 2 CUPS INCLINED BZ
7	5965586.01R	FILTER-HOLDER 1 CUP INCLINED
8	5471527	FILTER-HOLDER SPRING D1.2 AISI 302
9	5286016TW	FILTERHOLDER TILTED HANDLE BZ GROUP
10	5978508.01	HANDLE WITH LOGO/GASKET
11	5371203	HANDLE
12	7816026	SCREW TCEI M12X60
13	7809810	SCREW PLAS FIX 45 TC POZI D.3,5X10
13	7809806	SCREW TC M 3,5X8 PLASTITE
14	5371204	PLUG CHROMED
15	5371205	PLATE WITH LOGO
16	7305006TW	SPOUT 1 WAY S/PB+PWP
17	7305007TW	SPOUT 2 WAYS WITHOUT PB+PWP
18	7493021	GASKET FOR LOGO HANDLE

TABLE 11
B2013 Mod. DE-PM

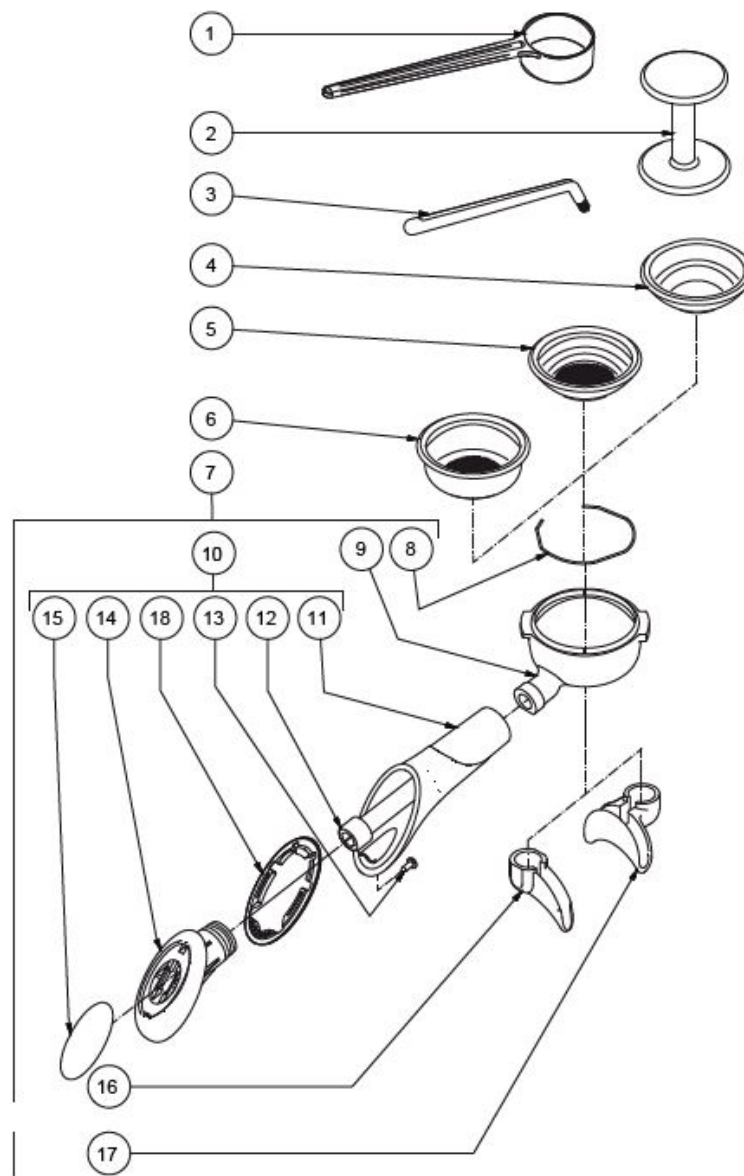


TABLE 12

B2013 Hose series 1GR Mod. PM

POS	CODE	DESCRIPTION
1	5162371LL	PRESSURE SWITCH TUBE B2013 1/2GR
2	5221813	PLUG M12X1 OT
3	5162337LL	EXCHANGER HOSE
4	5163304LL	HOSE TAP
5	5162316LL	PIPE FOR GROUP SOLENOID VALVE B2009
6	5194593LL	DRAIN PIPE GROUP SOLENOID VALVE
7	5370313	GROUP E.VALVE DRAIN RUBBER HOLDER
8	7611516	CLAMP 10086
9	5163305LL	WATER HOSE
10	5194595	HOSE D15X10 L=500MM SILICONE (1-2GR)
11	7611502	CLAMP D14
12	5194549	HOSE D8x5 SILICONE L=350
13	5162344LL	EXCHANGER LOAD HOSE
14	5163301LL	MANIFOLD HOSE
15	7200516	STAINLESS STEEL FLEX 3/8
16	7200512	FLEXIBLE HOSE 3/8x3/8
17	5163326LL	BOILER DRAIN HOSE
18	5162218LL	INLET AUTOMATIC LEVEL HOSE
19	7400901	PRESSURE GAUGE CAPILLARY
20	7400901	PRESSURE GAUGE CAPILLARY
21	5301507TR	UNION ELBOW M13X3/8
22	5163288LL	BOILER CHARGE PIPE ELLISSE
23	5302005	STRAIGHT FITTING 3/8
24	5192315	SUCTION HOSE D8X1 L=130 PTFE
25	5302019	FITTING M13 X ES.15 H25.5 OT
26	5471019	FILTER D8,5X5 AISI304
27	5492008	GASKET D10 X 2
28	5037845LL	PRESSURE SWITCH SQUAD W/COMPASSES
29	7816002	SCREW TCEI M4X12 UNI 5931 A2
30	5164087LL	SAFETY VALVE PIPE

TABLE 12

B2013 Hose series 1GR Mod. PM

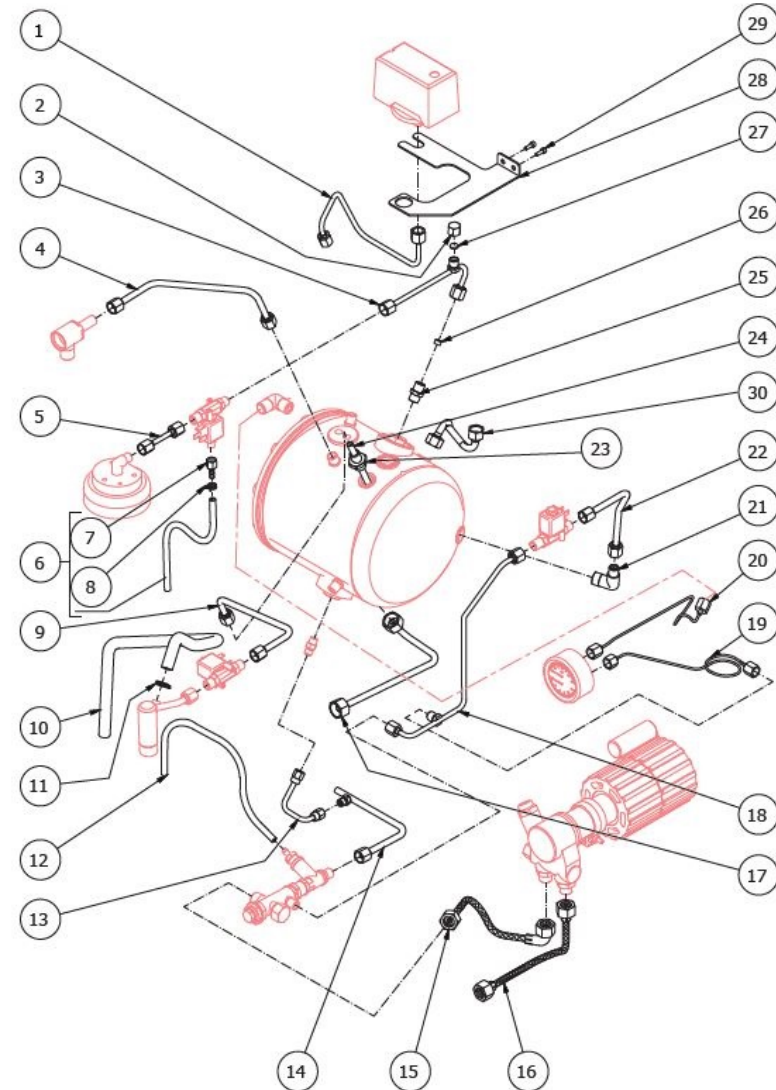


TABLE 12A

B2013 Hose series 2GR Mod. PM

POS	CODE	DESCRIPTION
1	5162371LL	PRESSURE SWITCH TUBE B2013 1/2GR
2	5301506TR	UNION ELBOW M13X1/4
3	5492008	GASKET D10 X 2
4	5471019	FILTER D8,5X5 AISI304
5	5163286LL	STEAM HOSE SX
6	5162328LL	EXCHANGER HOSE SX
7	5162316LL	PIPE FOR GROUP SOLENOID VALVE B2009
8	5194593LL	DRAIN PIPE GROUP SOLENOID VALVE
9	5370313	GROUP E.VALVE DRAIN RUBBER HOLDER
10	7611516	CLAMP 10086
11	5194595	HOSE D15X10 L=500MM SILICONE (1-2GR
12	7611502	CLAMP D14
13	5162345LL	EXCHANGER LOAD HOSE
14	5194550	HOSE D8x5 SILICONE L=400 1GR
15	5163297LL	COLLECTOR TUBE 2GR PM
16	7200512	FLEXIBLE HOSE 3/8x3/8
17	7200517	STAINLESS STEEL FLEX 3/8
18	5192307LL	WATER SAUCTION HOSE D6X1 L=80
19	5163326LL	BOILER DRAIN HOSE
20	5162218LL	INLET AUTOMATIC LEVEL HOSE
21	7400901	PRESSURE GAUGE CAPILLARY
22	7400904	CAPILL.1,27X2,51X800 1/8-M12
23	5301507TR	UNION ELBOW M13X3/8
24	5163288LL	BOILER CHARGE PIPE ELLISSE
25	5163290LL	WATER HOSE
26	5162329LL	EXCHANGER PIPE
27	5221813	PLUG M12X1 OT
28	5163296LL	STEAM HOSE
29	5037841LL	PRESSURE SWITCH SQUAD W/COMPASSES
30	7816002	SCREW TCEI M4X12 UNI 5931 A2

TABLE 12A

B2013 Hose series 2GR Mod. PM

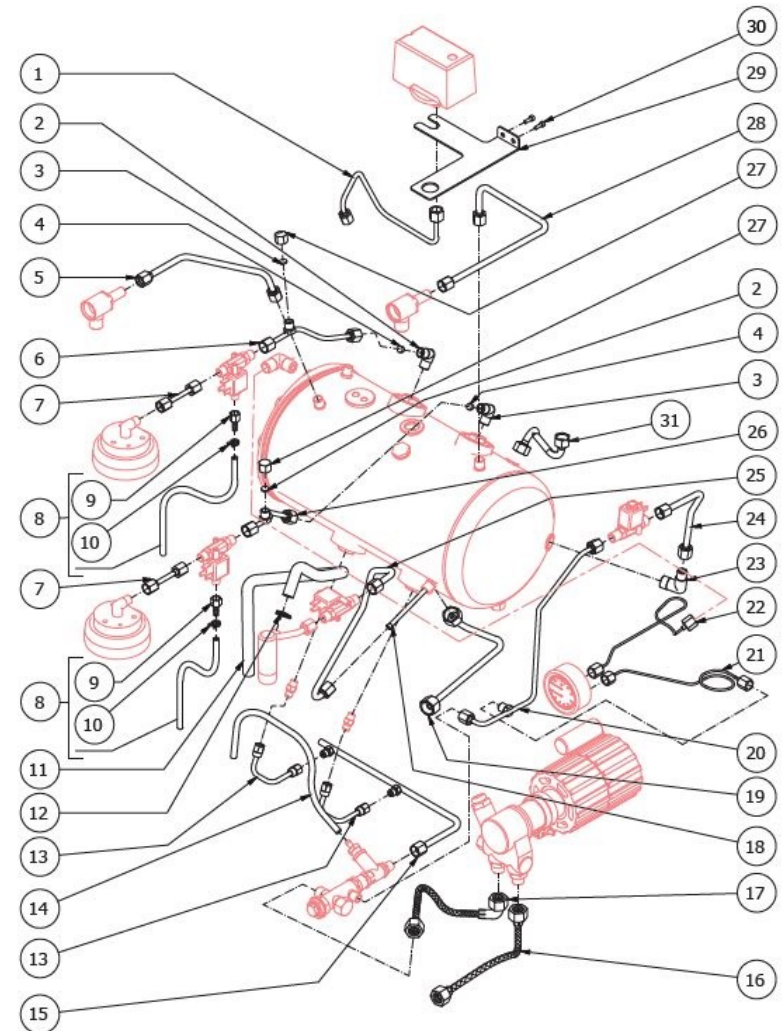


TABLE 12A
B2013 Hose series 2GR Mod. PM

POS	CODE	DESCRIPTION
31	5164087LL	SAFETY VALVE PIPE

TABLE 12A
B2013 Hose series 2GR Mod. PM

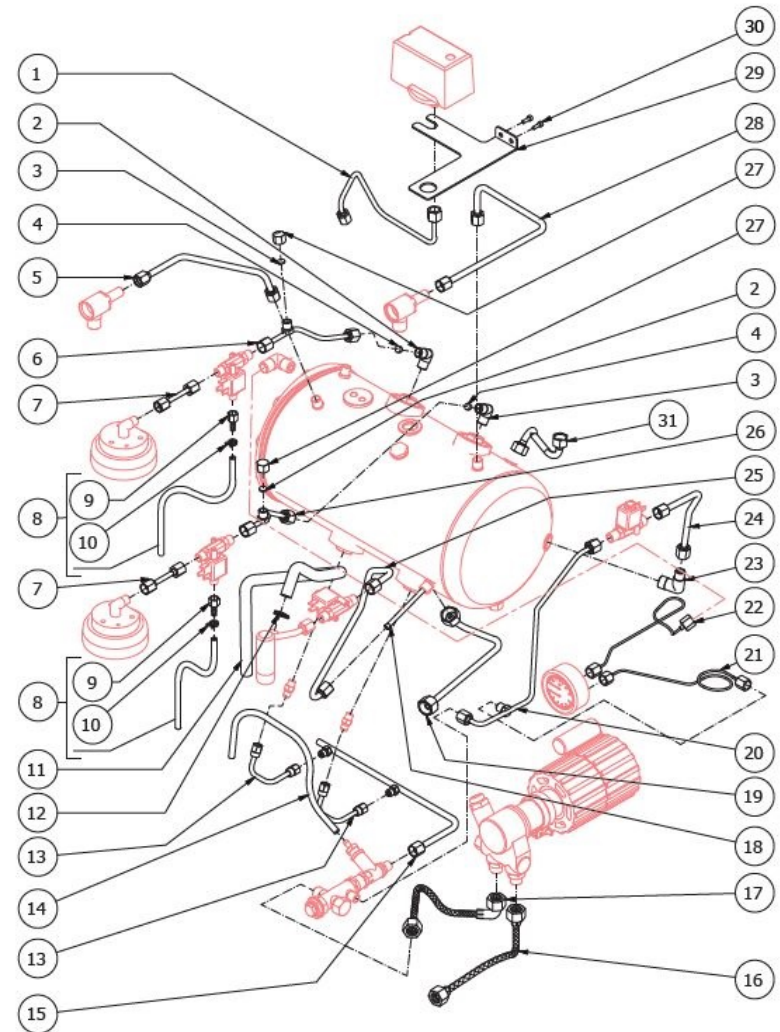


TABLE 12B
B2013 Hose series 3GR Mod. PM

POS	CODE	DESCRIPTION
1	5162377LL	PRESSOSTAT TUBE B2013 3GR
2	5301506TR	UNION ELBOW M13X1/4
3	5221813	PLUG M12X1 OT
4	5471019	FILTER D8,5X5 AISI304
5	5492008	GASKET D10 X 2
6	5163303LL	STEAM TAP TUBE SX 3GR
7	5162328LL	EXCHANGER HOSE SX
8	5162316LL	PIPE FOR GROUP SOLENOID VALVE B2009
9	5194577LL	DRAIN PIPE EV.2ND-3RD.GROUP ELL.3GR
10	5370313	GROUP E.VALVE DRAIN RUBBER HOLDER
11	7611516	CLAMP 10086
12	5162329LL	EXCHANGER PIPE
13	5194593LL	DRAIN PIPE GROUP SOLENOID VALVE
14	5162347LL	EXCHANGER LOAD HOSE
15	7303039	FITTING
16	5194532	D8 X 1.5 SILICONE HOSE
17	5194551	HOSE D8x5 SILICONE L=450 1GR
18	5163302LL	COLLECTOR TUBE 3GR
19	7200517	STAINLESS STEEL FLEX 3/8
20	7200512	FLEXIBLE HOSE 3/8x3/8
21	5162336LL	EXCHANGER HOSE RIGHT
22	5194618	HOSE D15X10 L=600MM SILICONE X3GR
23	7611502	CLAMP D14
24	5163290LL	WATER HOSE
25	5162218LL	INLET AUTOMATIC LEVEL HOSE
26	7400901	PRESSURE GAUGE CAPILLARY
27	7400907	CAPILLARY 1,27X2,51X950 1/8-M12
28	5301507TR	UNION ELBOW M13X3/8
29	5163288LL	BOILER CHARGE PIPE ELLISSE
30	5163326LL	BOILER DRAIN HOSE

TABLE 12B
B2013 Hose series 3GR Mod. PM

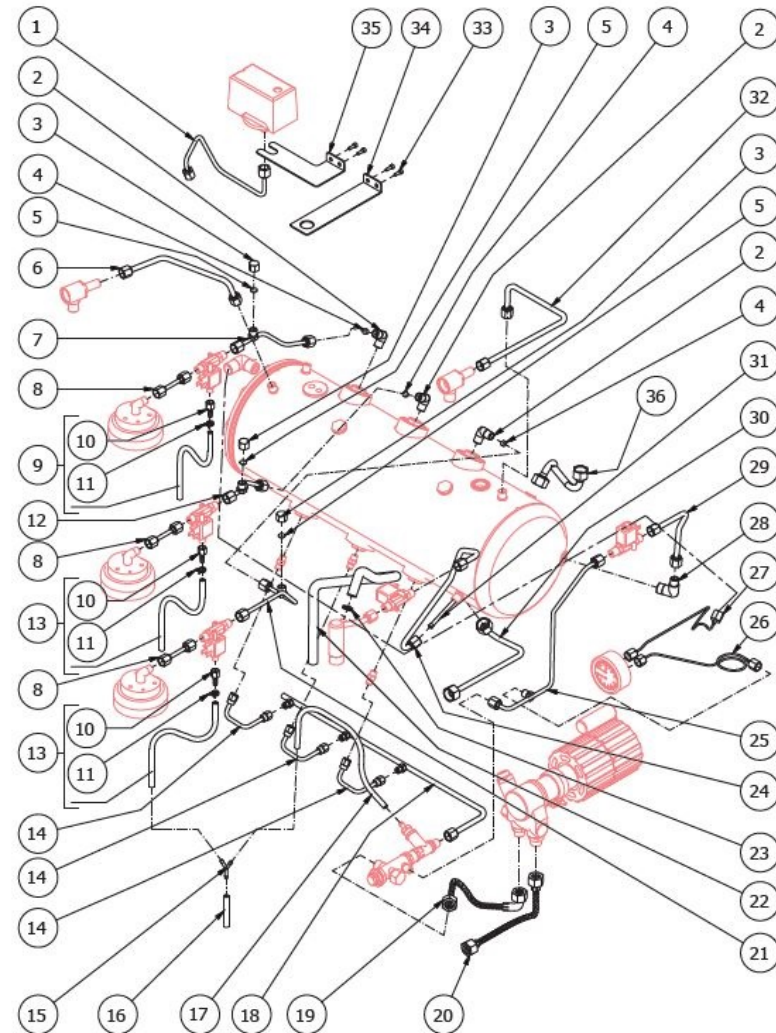


TABLE 12B
B2013 Hose series 3GR Mod. PM

POS	CODE	DESCRIPTION
31	5192307LL	WATER SAUCTION HOSE D6X1 L=80
32	5163296LL	STEAM HOSE
33	7816002	SCREW TCEI M4X12 UNI 5931 A2
34	5037843LL	BOILER ANCHOR SUPPORT 3GR W/COMPASS
35	5037844LL	PRESSOSTAT SUPPORT
36	5164087LL	SAFETY VALVE PIPE

TABLE 12B
B2013 Hose series 3GR Mod. PM

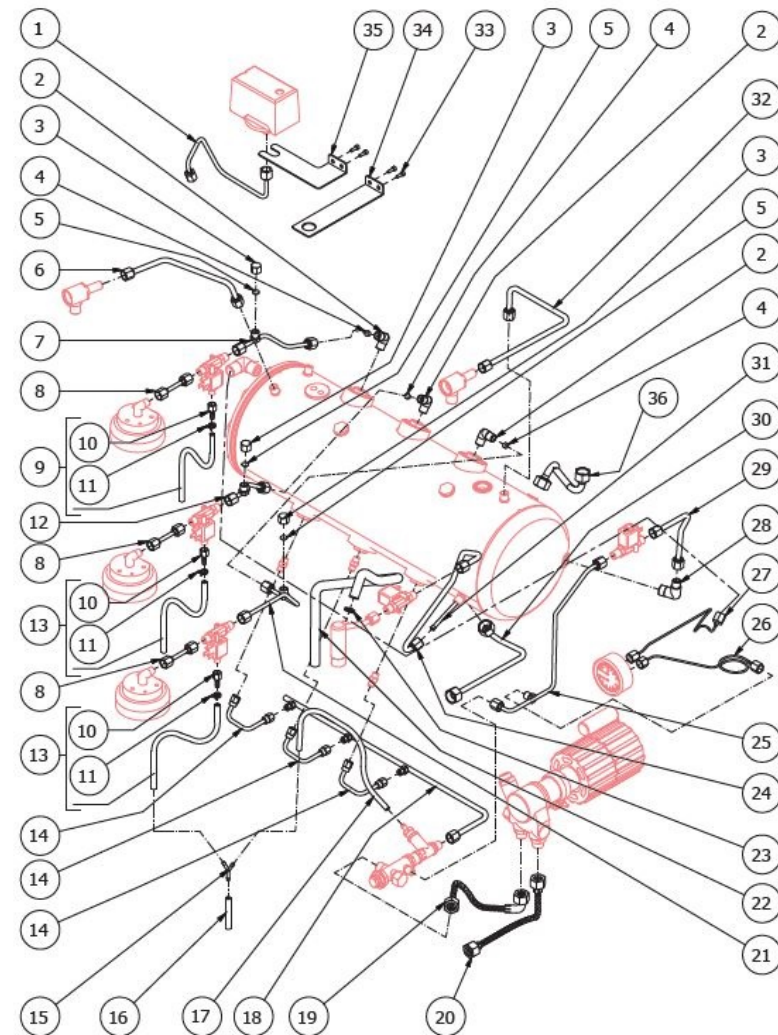


TABLE 13

B2013 Hose series 1GR Mod. DE

POS	CODE	DESCRIPTION
1	5162371LL	PRESSURE SWITCH TUBE B2013 1/2GR
2	5221813	PLUG M12X1 OT
3	5162337LL	EXCHANGER HOSE
4	5163304LL	HOSE TAP
5	5162316LL	PIPE FOR GROUP SOLENOID VALVE B2009
6	5194593LL	DRAIN PIPE GROUP SOLENOID VALVE
7	5370313	GROUP E.VALVE DRAIN RUBBER HOLDER
8	7611516	CLAMP 10086
9	5163305LL	WATER HOSE
10	5194595	HOSE D15X10 L=500MM SILICONE (1-2GR
11	7611502	CLAMP D14
12	5194549	HOSE D8x5 SILICONE L=350
13	7304510TR	SERTO JUNCTION 1/42G OT
14	7431001	FLOW METER + AUT. WITH LED
15	5471001	NET FILTER D11 AISI 304
16	5191501	SPACER D11X8X6.5 PTFE
17	5302001	STRAIGHT FITTING 1/4
18	5162368LL	ENTRY TUBE SCAMB.B2013 DE 1GR
19	5163321LL	TUBE COLLECT.B2013DE 1GR
20	7200516	STAINLESS STEEL FLEX 3/8
21	7200512	FLEXIBLE HOSE 3/8x3/8
22	5163326LL	BOILER DRAIN HOSE
23	5162218LL	INLET AUTOMATIC LEVEL HOSE
24	7400901	PRESSURE GAUGE CAPILLARY
25	7400901	PRESSURE GAUGE CAPILLARY
26	5301507TR	UNION ELBOW M13X3/8
27	5163288LL	BOILER CHARGE PIPE ELLISSE
28	5302005	STRAIGHT FITTING 3/8
29	5192315	SUCTION HOSE D8X1 L=130 PTFE
30	5302019	FITTING M13 X ES.15 H25.5 OT

TABLE 13

B2013 Hose series 1GR Mod. DE

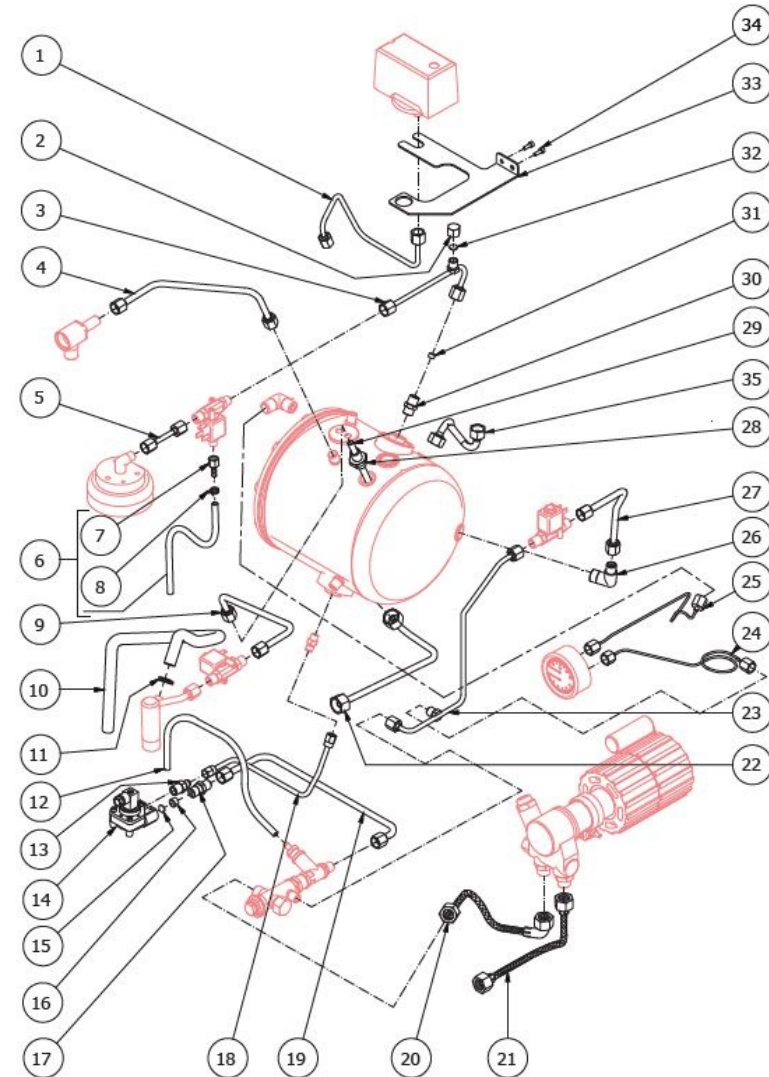


TABLE 13
B2013 Hose series 1GR Mod. DE

POS	CODE	DESCRIPTION
31	5471019	FILTER D8,5X5 AISI304
32	5492008	GASKET D10 X 2
33	5037845LL	PRESSURE SWITCH SQUAD W/COMPASSES
34	7816002	SCREW TCEI M4X12 UNI 5931 A2
35	5164087LL	SAFETY VALVE PIPE

TABLE 13
B2013 Hose series 1GR Mod. DE

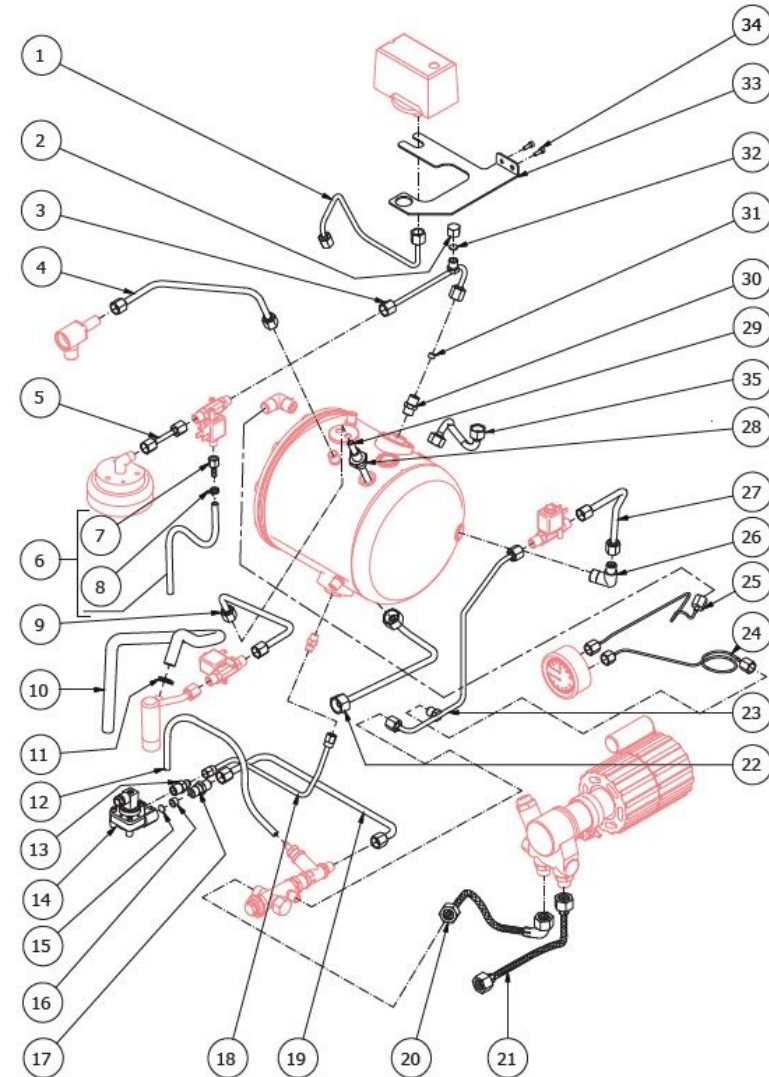


TABLE 13A

B2013 Hose series 1GR Mod. DE - With automatic steam

POS	CODE	DESCRIPTION
1	5221813	PLUG M12X1 OT
2	5162337LL	EXCHANGER HOSE
3	5194595	HOSE D15X10 L=500MM SILICONE (1-2GR)
4	5163304LL	HOSE TAP
5	7611502	CLAMP D14
6	5162316LL	PIPE FOR GROUP SOLENOID VALVE B2009
7	5194593LL	DRAIN PIPE GROUP SOLENOID VALVE
8	5370313	GROUP E. VALVE DRAIN RUBBER HOLDER
9	7611516	CLAMP 10086
10	5163326LL	BOILER DRAIN HOSE
11	5194549	HOSE D 8x5 SILICONE L=350
12	7304510TR	SERTO JUNCTION 1/42G OT
13	7431001	FLOW METER + AUT. WITH LED
14	5471001	NET FILTER D11 AISI 304
15	5191501	SPACER D11X8X6.5 PTFE
16	5302001	STRAIGHT FITTING 1/4
17	5162368LL	ENTRY TUBE SCAMB.B2013 DE 1GR
18	5163321LL	TUBE COLLECT.B2013DE 1GR
19	7200516	STAINLESS STEEL FLEX 3/8
20	7200512	FLEXIBLE HOSE 3/8x3/8
21	5162218LL	INLET AUTOMATIC LEVEL HOSE
22	7400901	PRESSURE GAUGE CAPILLARY
23	7400901	PRESSURE GAUGE CAPILLARY
24	5301507TR	UNION ELBOW M13X3/8
25	5163288LL	BOILER CHARGE PIPE ELLISSE
26	5302005	STRAIGHT FITTING 3/8
27	5192301	SUCTION D6X1 L=130MM PTFE
28	5302019	FITTING M13 X ES.15 H25.5 OT
29	5225414	FITTING M14XM13
30	5162327LL	TUBE EV.STEAM SPEAR

TABLE 13A

B2013 Hose series 1GR Mod. DE - With automatic steam

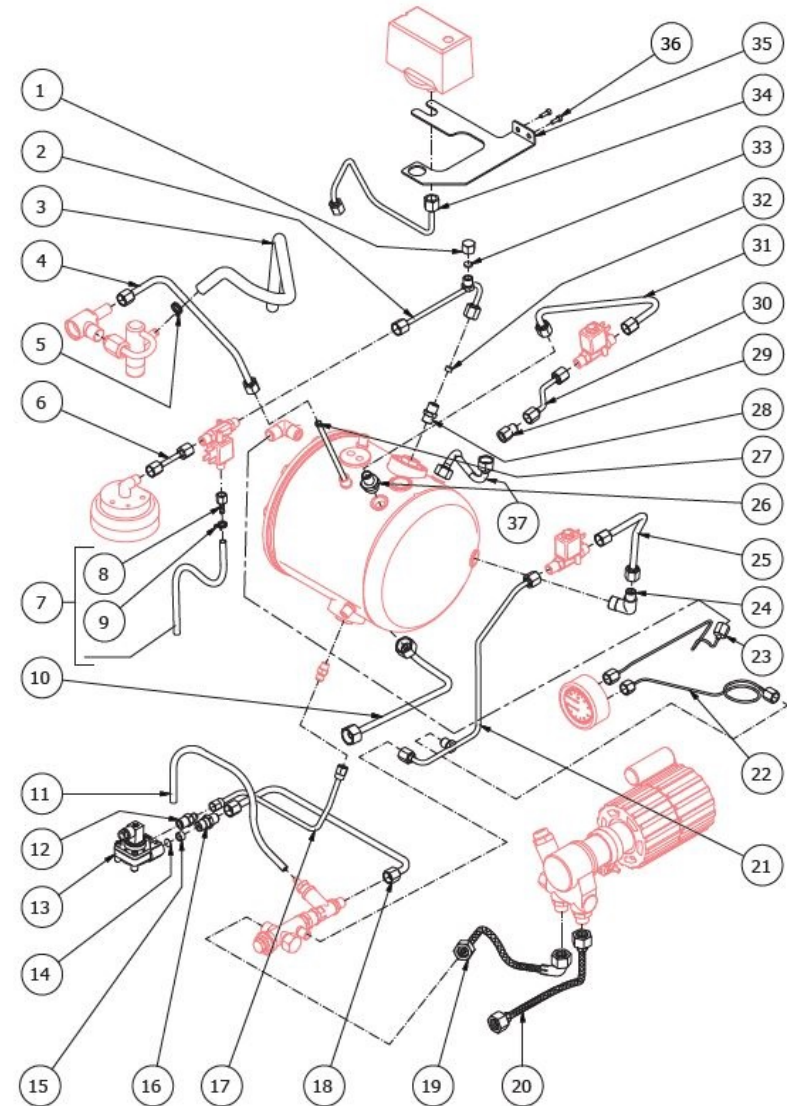


TABLE 13A

B2013 Hose series 1GR Mod. DE - With automatic steam

POS	CODE	DESCRIPTION
31	5163306LL	STEAM EV.TUBE DX 1GR
32	5471019	FILTER D8,5X5 AISI304
33	5492008	GASKET D10 X 2
34	5162371LL	PRESSURE SWITCH TUBE B2013 1/2GR
35	5037845LL	PRESSURE SWITCH SQUAD W/COMPASSES
36	7816002	SCREW TCEI M4X12 UNI 5931 A2
37	5164087LL	SAFETY VALVE PIPE

TABLE 13A

B2013 Hose series 1GR Mod. DE - With automatic steam

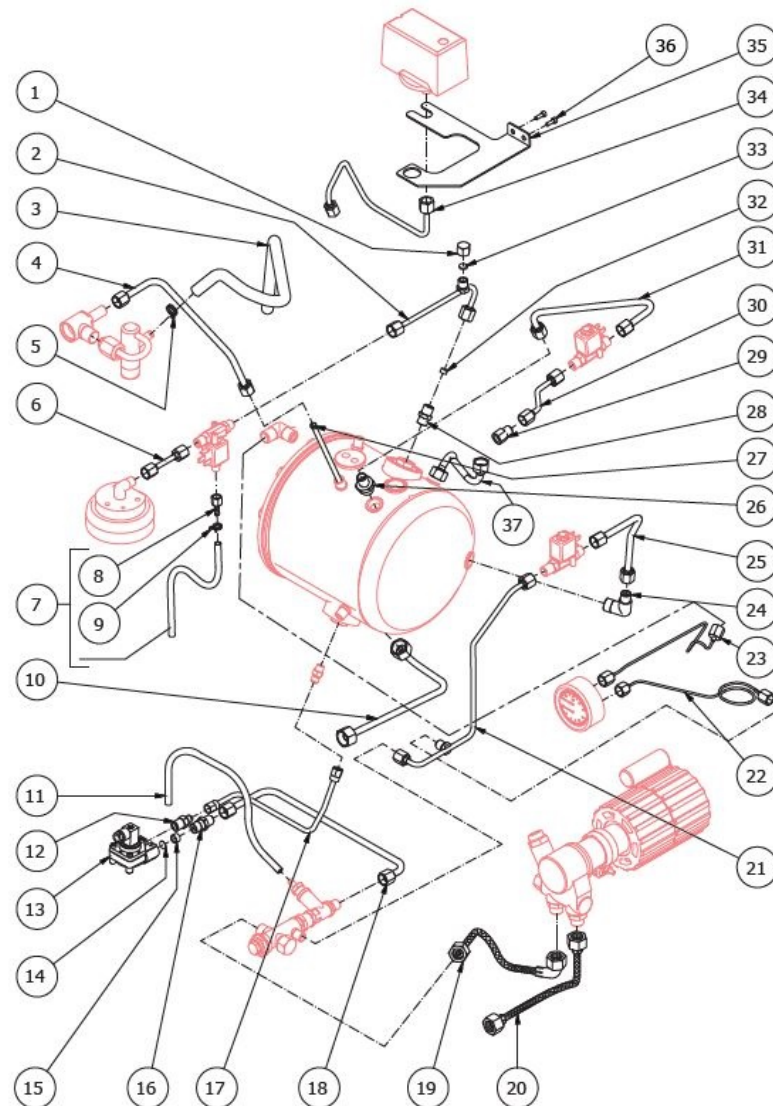


TABLE 13B

B2013 Hose series 2GR Mod. DE

POS	CODE	DESCRIPTION
1	5301506TR	UNION ELBOW M13X1/4
2	5471019	FILTER D8,5X5 AISI304
3	5225414	FITTING M14XM13
4	5221813	PLUG M12X1 OT
5	5163286LL	STEAM HOSE SX
6	5492008	GASKET D10 X 2
7	5162328LL	EXCHANGER HOSE SX
8	5162316LL	PIPE FOR GROUP SOLENOID VALVE B2009
9	5194593LL	DRAIN PIPE GROUP SOLENOID VALVE
10	5370313	GROUP E.VALVE DRAIN RUBBER HOLDER
11	7611516	CLAMP 10086
12	5194595	HOSE D15X10 L=500MM SILICONE (1-2GR
13	7611502	CLAMP D14
14	5162351LL	EXCHANGER 1° LOAD HOSE EBB11DE 2GR
15	7431001	FLOW METER + AUT. WITH LED
16	5471001	NET FILTER D11 AISI 304
17	5191501	SPACER D11X8X6.5 PTFE
18	7304510TR	SERTO JUNCTION 1/42G OT
19	5302001	STRAIGHT FITTING 1/4
20	5162352LL	EXCHANGER 2° LOAD HOSE EBB11DE 2GR
21	5194550	HOSE D 8x5 SILICONE L=400 1GR
22	5163294LL	MANIFOLD HOSE
23	7200517	STAINLESS STEEL FLEX 3/8
24	7200512	FLEXIBLE HOSE 3/8x3/8
25	5163290LL	WATER HOSE
26	5192307LL	WATER SAUCTION HOSE D6X1 L=80
27	5163326LL	BOILER DRAIN HOSE
28	5162218LL	INLET AUTOMATIC LEVEL HOSE
29	7400901	PRESSURE GAUGE CAPILLARY
30	7400904	CAPILL.1,27X2,51X800 1/8-M12

TABLE 13B

B2013 Hose series 2GR Mod. DE

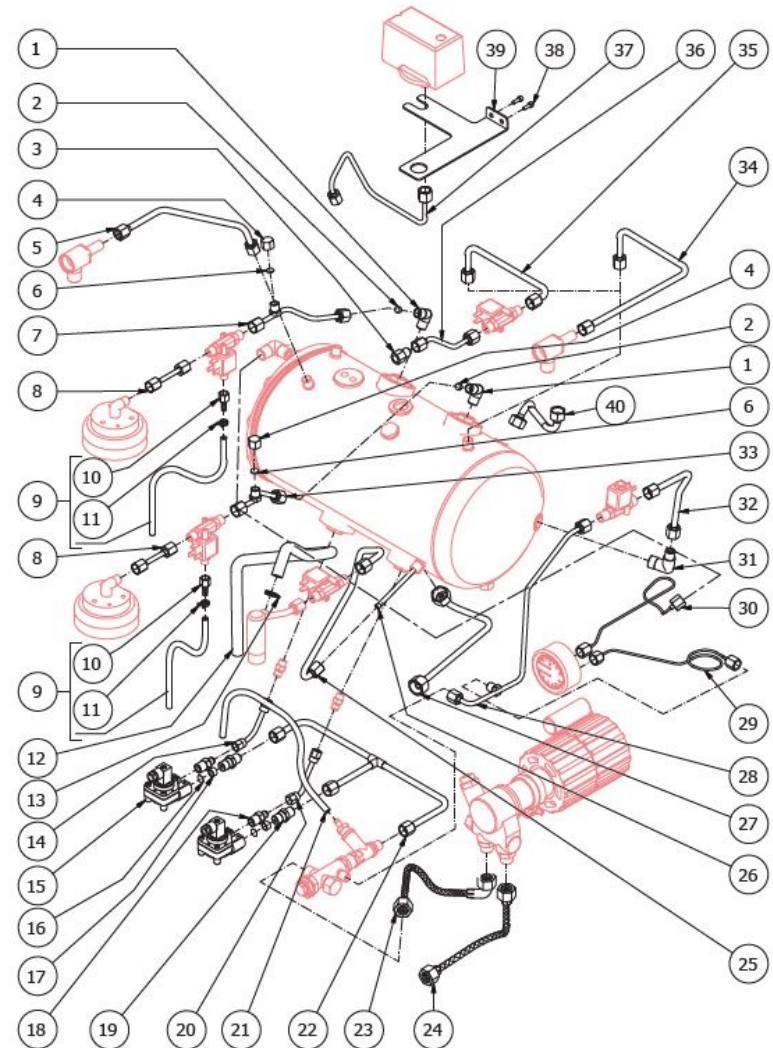


TABLE 13B
B2013 Hose series 2GR Mod. DE

POS	CODE	DESCRIPTION
31	5301507TR	UNION ELBOW M13X3/8
32	5163288LL	BOILER CHARGE PIPE ELLISSE
33	5162329LL	EXCHANGER PIPE
34	5163296LL	STEAM HOSE
35	5163287LL	STEAM EV.TUBE DX ELL
36	5162327LL	TUBE EV.STEAM SPEAR
37	5162371LL	PRESSURE SWITCH TUBE B2013 1/2GR
38	7816002	SCREW TCEI M4X12 UNI 5931 A2
39	5037841LL	PRESSURE SWITCH SQUAD W/COMPASSES
40	5164087LL	SAFETY VALVE PIPE

TABLE 13B
B2013 Hose series 2GR Mod. DE

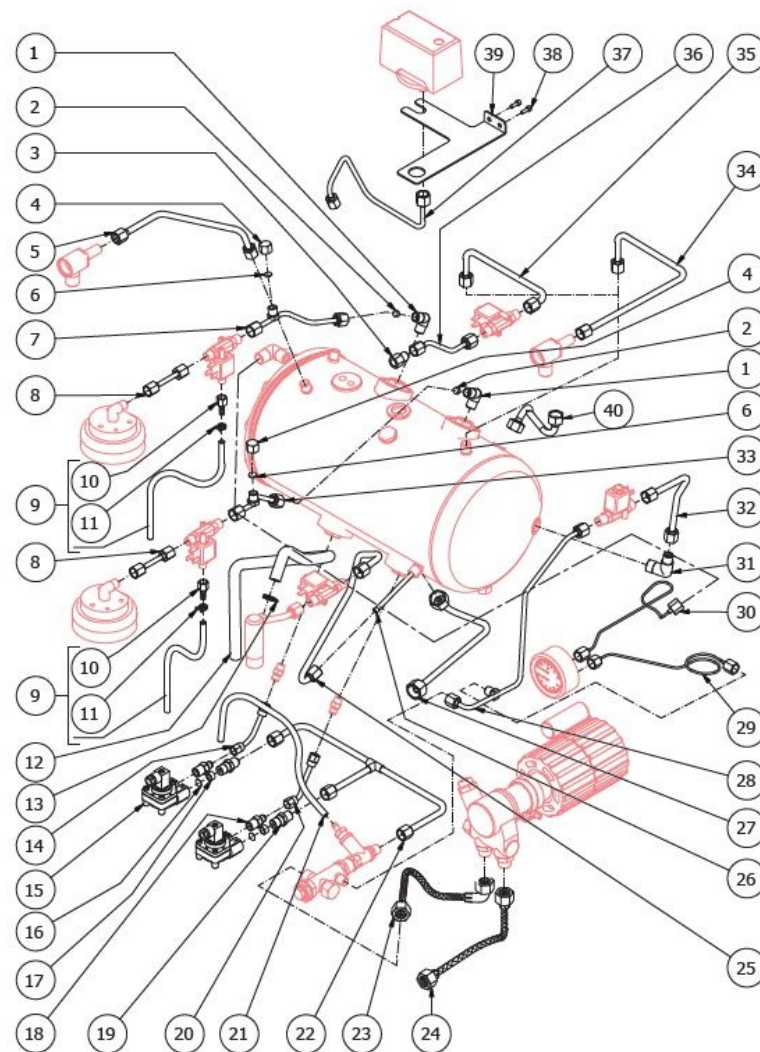


TABLE 13C

B2013 Hose series 3GR Mod. DE

POS	CODE	DESCRIPTION
1	5162377LL	PRESSOSTAT TUBE B2013 3GR
2	5221813	PLUG M12X1 OT
3	5471019	FILTER D8,5X5 AISI304
4	5492008	GASKET D10 X 2
5	5163303LL	STEAM TAP TUBE SX 3GR
6	5162328LL	EXCHANGER HOSE SX
7	5162316LL	PIPE FOR GROUP SOLENOID VALVE B2009
8	5194577LL	DRAIN PIPE EV.2ND-3RD.GROUP ELL.3GR
9	5370313	GROUP E.VALVE DRAIN RUBBER HOLDER
10	7611516	CLAMP 10086
11	5162329LL	EXCHANGER PIPE
12	5194593LL	DRAIN PIPE GROUP SOLENOID VALVE
13	5162353LL	EXCHANGER LOAD HOSE
14	7304510TR	SERTO JUNCTION 1/42G OT
15	7431001	FLOW METER + AUT. WITH LED
16	5471001	NET FILTER D11 AISI 304
17	5191501	SPACER D11X8X6.5 PTFE
18	7303039	FITTING
19	5194532	D8 X 1.5 SILICONE HOSE
20	5302001	STRAIGHT FITTING 1/4
21	5162355LL	EXCHANGER LOAD HOSE
22	5194551	HOSE D8x5 SILICONE L=450 1GR
23	5163299LL	COLLECTOR TUBE 3GR DE
24	7200517	STAINLESS STEEL FLEX 3/8
25	7200512	FLEXIBLE HOSE 3/8x3/8
26	5162354LL	EXCHANGER LOAD HOSE
27	5162336LL	EXCHANGER HOSE RIGHT
28	5194618	HOSE D15X10 L=600MM SILICONE X3GR
29	7611502	CLAMP D14
30	5163290LL	WATER HOSE

TABLE 13C

B2013 Hose series 3GR Mod. DE

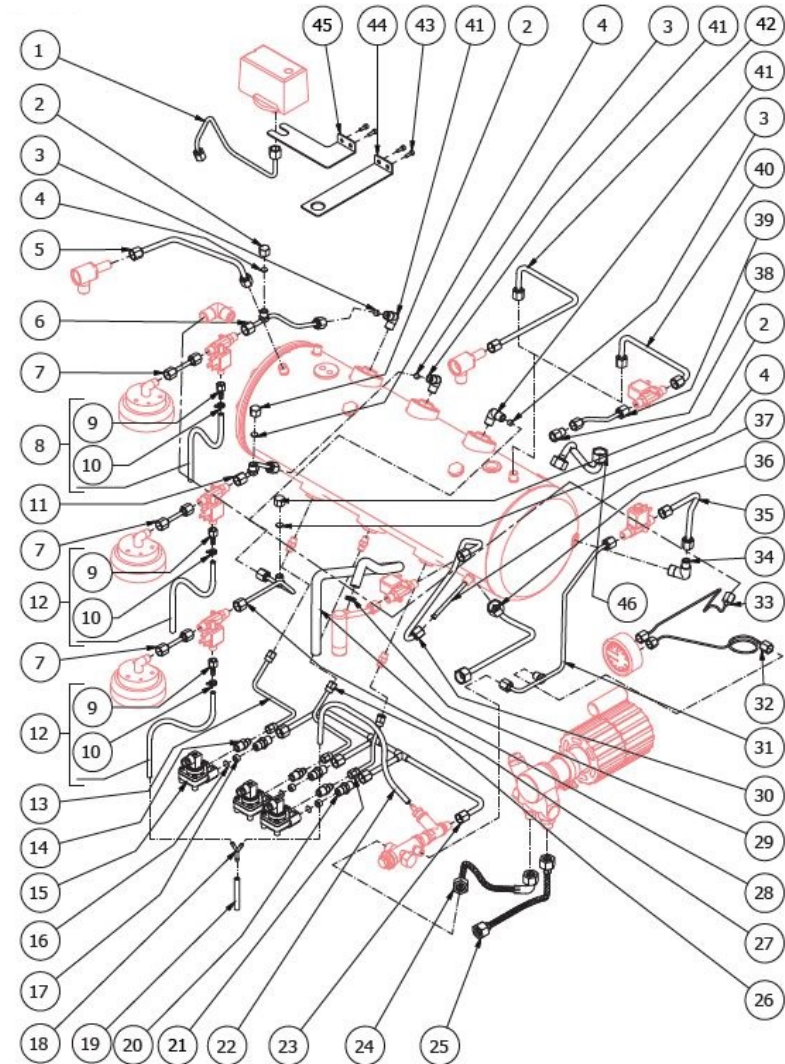
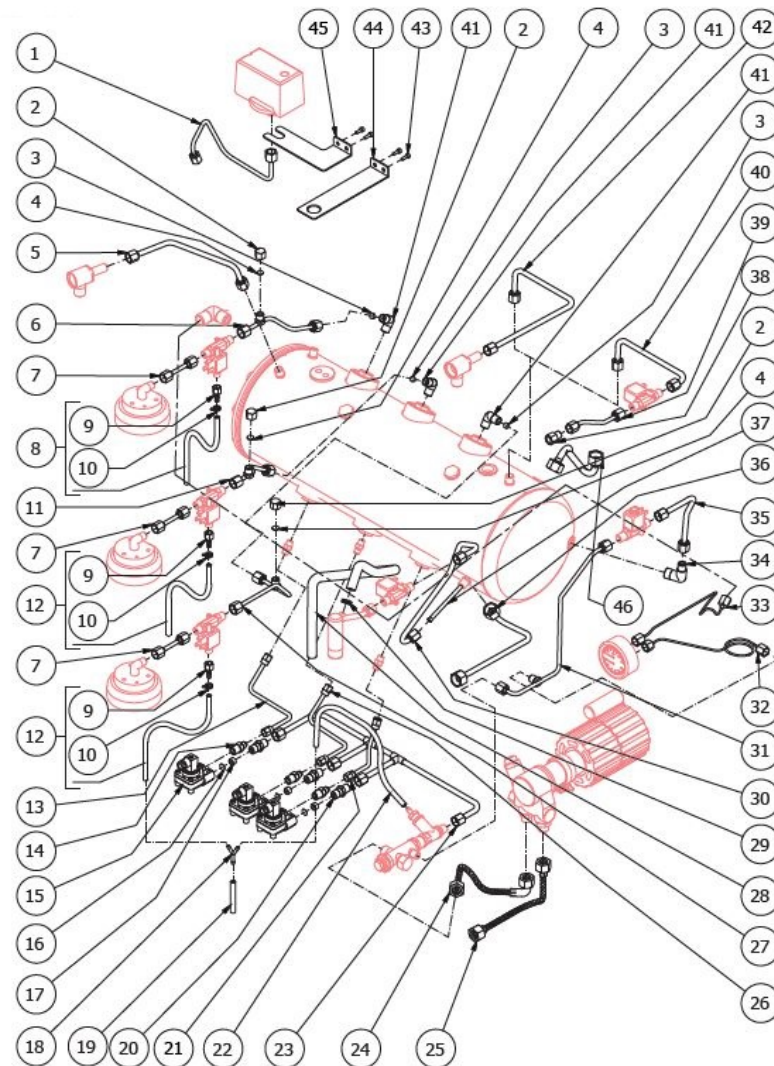


TABLE 13C
B2013 Hose series 3GR Mod. DE

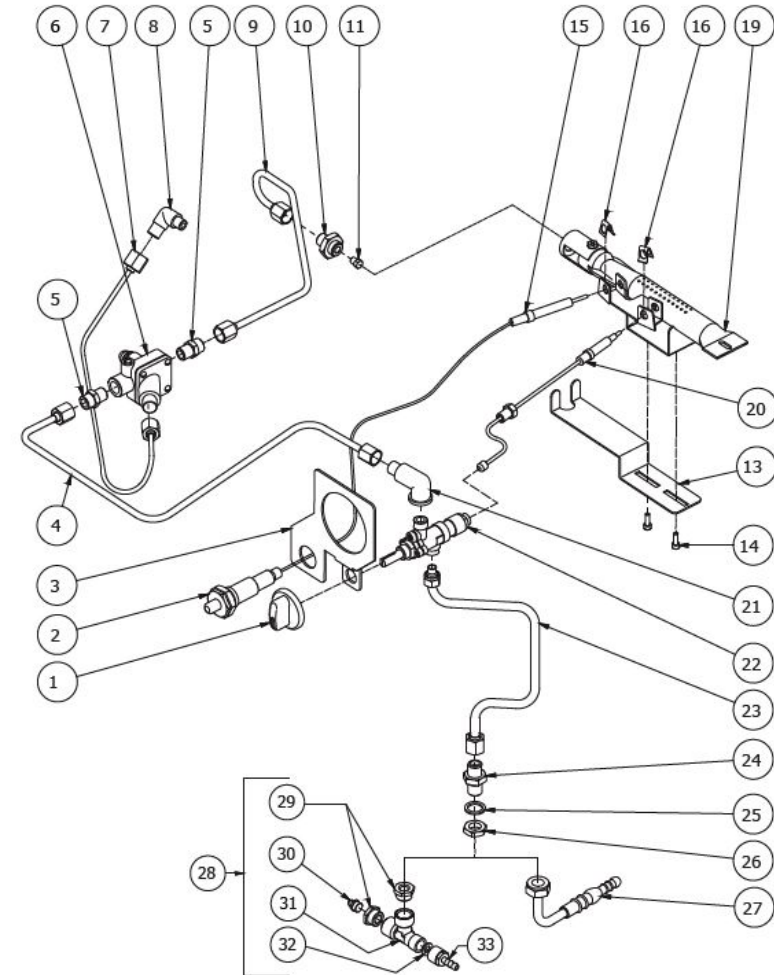
POS	CODE	DESCRIPTION
31	5162218LL	INLET AUTOMATIC LEVEL HOSE
32	7400901	PRESSURE GAUGE CAPILLARY
33	7400907	CAPILLARY 1,27X2,51X950 1/8-M12
34	5301507TR	UNION ELBOW M13X3/8
35	5163288LL	BOILER CHARGE PIPE ELLISSE
36	5163326LL	BOILER DRAIN HOSE
37	5192307LL	WATER SAUCTION HOSE D6X1 L=80
38	5225414	FITTING M14XM13
39	5162327LL	TUBE EV.STEAM SPEAR
40	5163287LL	STEAM EV.TUBE DX ELL
41	5301506TR	UNION ELBOW M13X1/4
42	5163296LL	STEAM HOSE
43	7816002	SCREW TCEI M4X12 UNI 5931 A2
44	5037843LL	BOILER ANCHOR SUPPORT 3GR W/COMPASS
45	5037844LL	PRESSOSTAT SUPPORT
46	5164087LL	SAFETY VALVE PIPE

TABLE 13C
B2013 Hose series 3GR Mod. DE



BEZZERA**B2013**TABLE 14
B2013 Gas 1GR

POS	CODE	DESCRIPTION
33	5224417	RUBBERBRING 1/2

BEZZERA**B2013**TABLE 14
B2013 Gas 1GR

BEZZERA

B2013

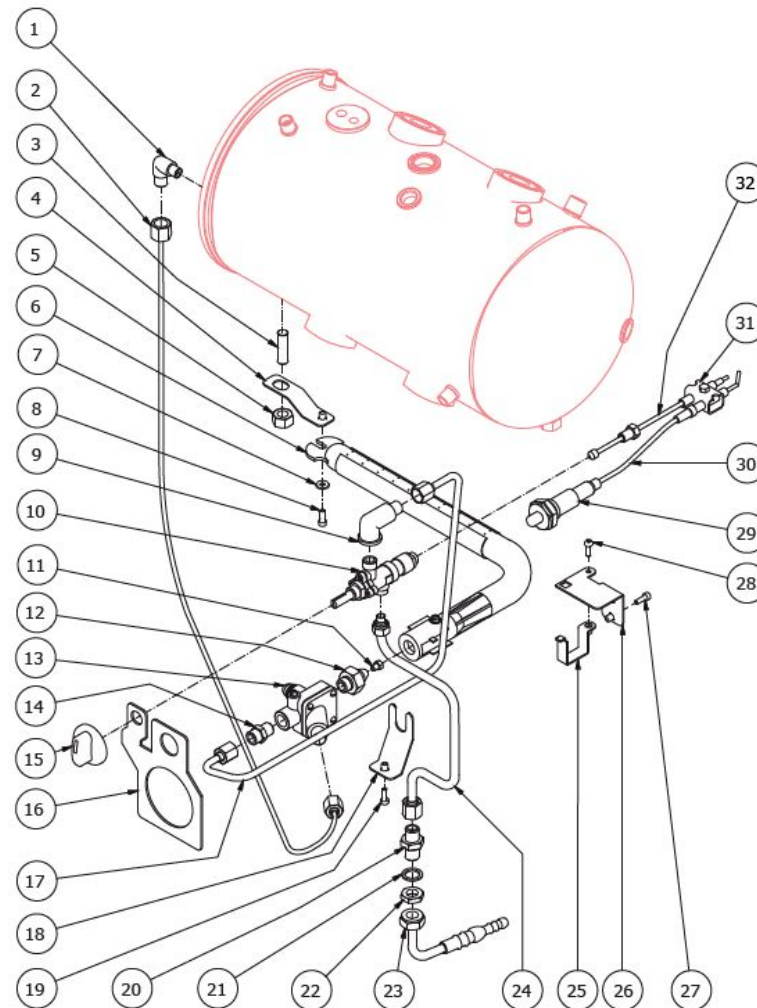
TABLE 14A - (up to 22/03/2015)
B2013 Gas 2GR

POS	CODE	DESCRIPTION
1	5301504TR	UNION ELBOW 1/8
2	5161016LL	BOILER-REGULATOR HOSE
3	5267012	TIE ROD M10X33 ASTM A 193 B8 C/1
4	5037824LL	LEFT SUPPORT
5	7821402	NUT M10 UNI 5587 OT
6	7400600	BURNER 2GR
7	7809804	PLAIN WASHER D4 FEZN
8	7816002	SCREW TCEI M4X12 UNI 5931 A2
9	5301524	UNION ELBOW
10	7403602	TAP
11	7303024	INJECTOR D 0,6
11	7303025	INJECTOR D 0,8
12	5224416	PORTAGICLEUR 1/4
13	7402410	GAS RG10 REGULATOR
14	5302009	STRAIGHT FITTING M12 X 1/4
15	7371519	KNOB
16	5037846LW	TAP SUPPORT
17	5162369LL	TUBE TAP/REGULATOR GAS RG10 2GR
18	5037823LL	BURNER SUPPORT
19	7816002	SCREW TCEI M4X12 UNI 5931 A2
20	5225308	FITTING M13X1/4"G
21	5221869	WASHER D14 X 20 X 1.5 COPPER
22	5221821	NUT 1/4
23	5163211LL	RUBBER-HOLDER HOSE
24	5163327LL	GAS TUBE TAP ENTRY FITTING
25	5037825LL	BURNER HOLDER
26	5037826LL	RIGHT SUPPORT
27	7816002	SCREW TCEI M4X12 UNI 5931 A2
28	7816002	SCREW TCEI M4X12 UNI 5931 A2
29	7400302	PIEZO IGNITION WITH NUT

BEZZERA

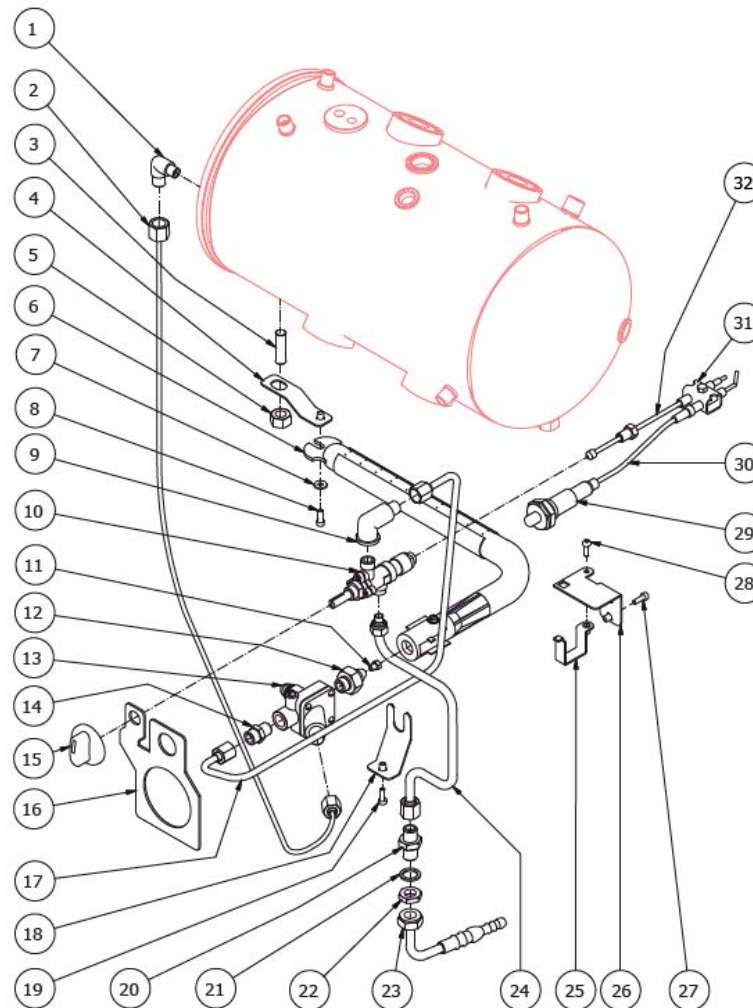
B2013

TABLE 14A - (up to 22/03/2015)
B2013 Gas 2GR



BEZZERA**B2013**TABLE 14A - (up to 22/03/2015)
B2013 Gas 2GR

POS	CODE	DESCRIPTION
30	7400305	IGNITION CANDLE
31	5479917	CLIPS
32	7403003	THERMOCOUPLE L=600

BEZZERA**B2013**TABLE 14A - (up to 22/03/2015)
B2013 Gas 2GR

BEZZERA

B2013

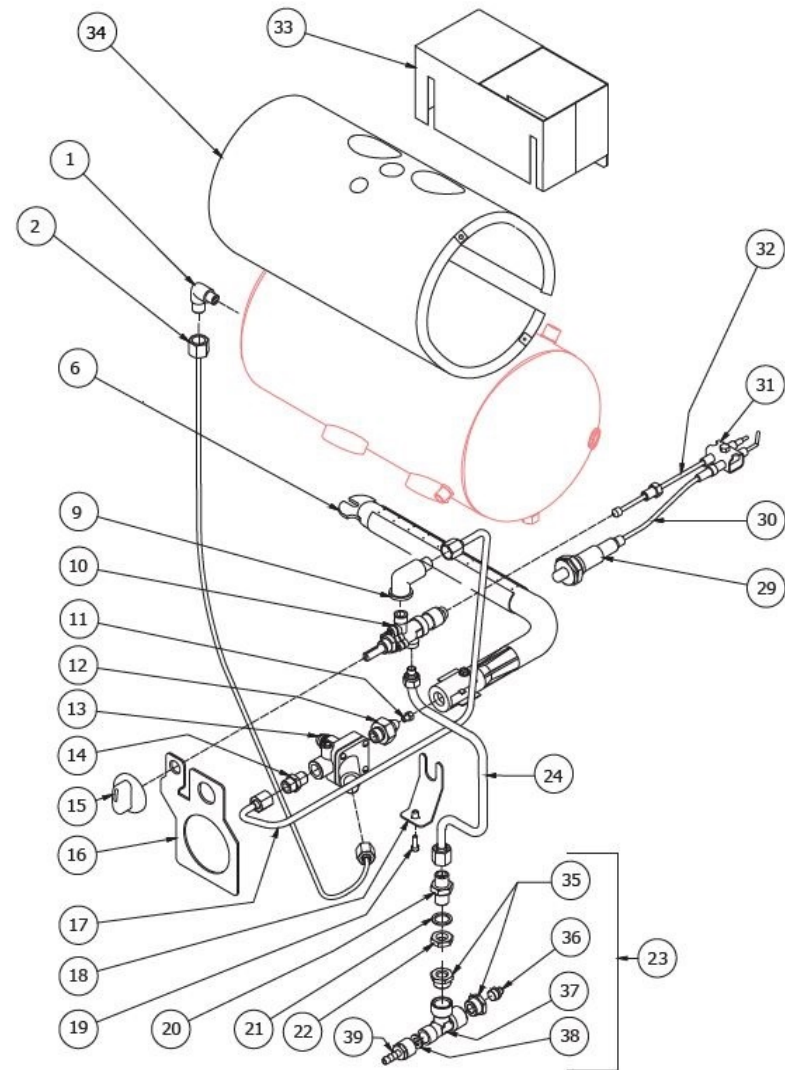
TABLE 14B - (from 23/03/2015)
B2013 Gas 2GR

POS	CODE	DESCRIPTION
1	5301504TR	UNION ELBOW 1/8
2	5161016LL	BOILER-REGULATOR HOSE
6	7400604.01LL	ASSY 2GR BURNER / BRACKET WELDED
9	5301524	UNION ELBOW
10	7403602	TAP
11	7303049	GAS INJECTOR D0,85
11	7303050	GAS INJECTOR D1,25
12	5224416	PORTAGICLEUR 1/4
13	7402410	GAS RG10 REGULATOR
14	5302009	STRAIGHT FITTING M12 X 1/4
15	7371519	KNOB
16	5037846LW	TAP SUPPORT </td
17	5162373LL	REGULATOR-JET/BURNER HOSE
18	5037823LL	BURNER SUPPORT
19	7816002	SCREW TCEI M4X12 UNI 5931 A2
20	5225308	FITTING M13X1/4"G
21	5221869	WASHER D14 X 20 X 1.5 COPPER
22	5221821	NUT 1/4
23	5963151	ASSY TEE GAS+TEST POINT
24	5163333LL	HOSE TAP/FITTING
29	7400302	PIEZO IGNITION WITH NUT
30	7400306	CANDLE
31	7401209	CLIPS
32	7403005	THERMOCOUPLE
33	5051200LW	FUME CONVEYOR 2GR
34	5033010LW	BOILER COVERING 2GR
35	5302086	FITTING 1/2
36	5302087	PRESSURE POINT 1/4
37	5300516	FITTING TEE 1/2
38	5492021	GASKET D18x10x2

BEZZERA

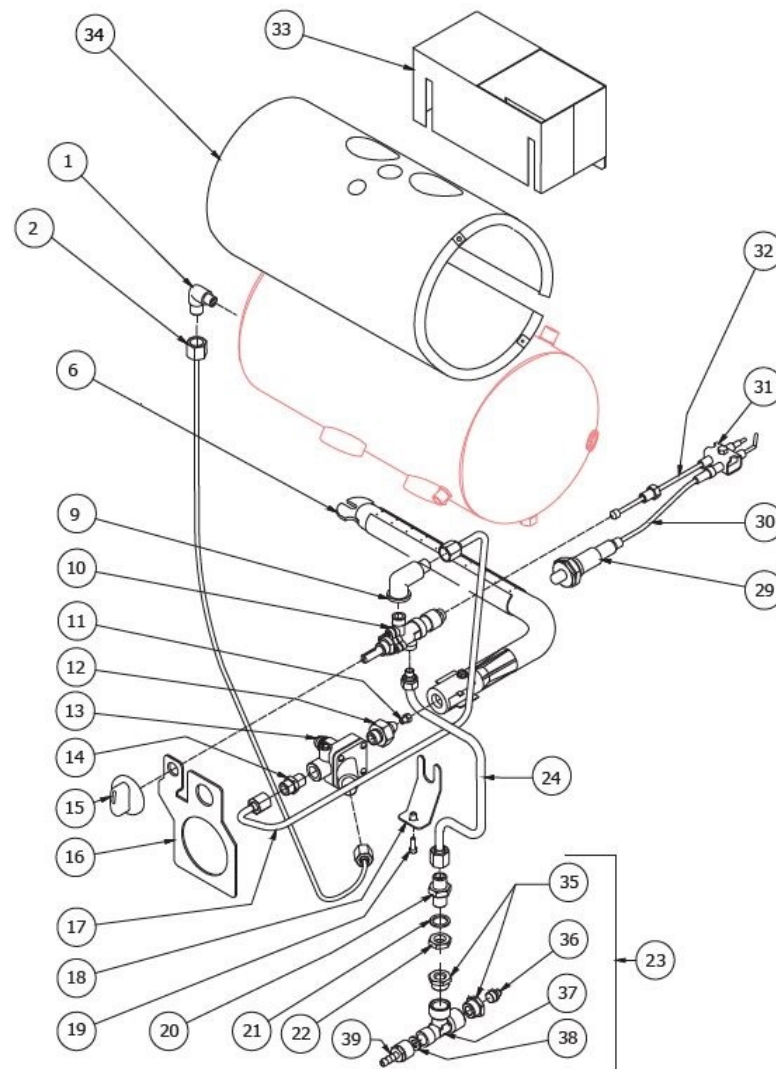
B2013

TABLE 14B - (from 23/03/2015)
B2013 Gas 2GR



BEZZERA**B2013**TABLE 14B - (from 23/03/2015)
B2013 Gas 2GR

POS	CODE	DESCRIPTION
39	5224417	RUBBERBRING 1/2

BEZZERA**B2013**TABLE 14B - (from 23/03/2015)
B2013 Gas 2GR

BEZZERA

B2013

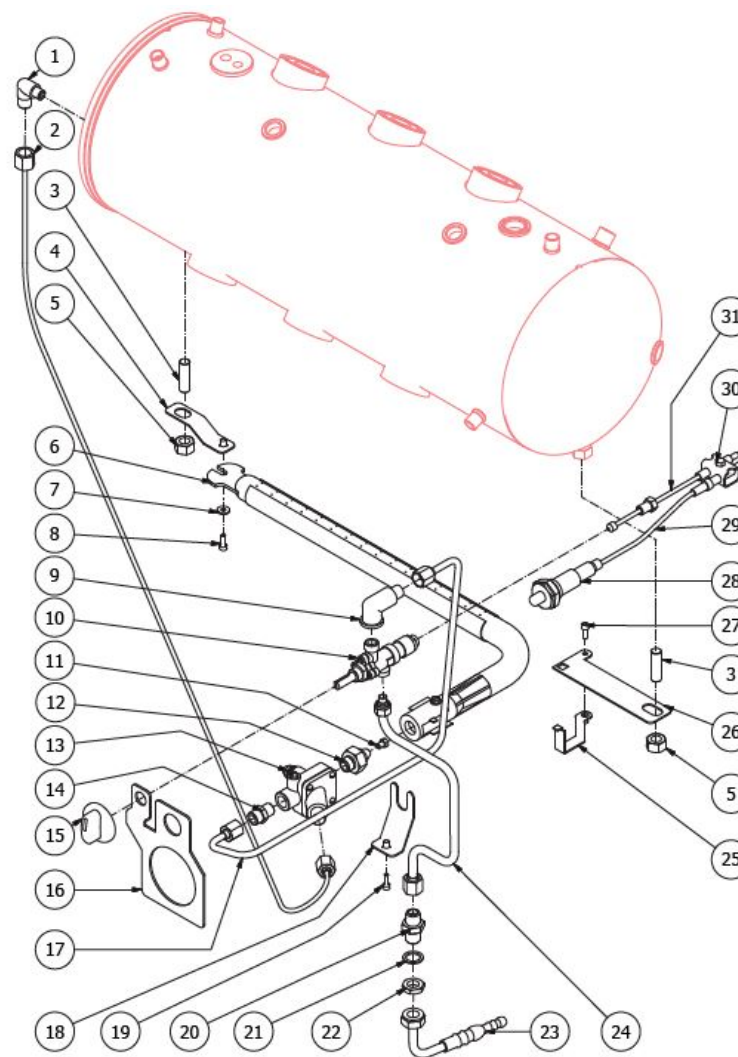
TABLE 14C - (up to 22/05/2015)
B2013 Gas 3GR

POS	CODE	DESCRIPTION
1	5301504TR	UNION ELBOW 1/8
2	5161022LL	BOILER-REGULATOR HOSE
3	5267012	TIE ROD M10X33 ASTM A 193 B8 C/1
4	5037824LL	LEFT SUPPORT
5	7821402	NUT M10 UNI 5587 OT
6	7400601	BURNER 3GR
7	7809804	PLAIN WASHER D4 FEZN
8	7816002	SCREW TCEI M4X12 UNI 5931 A2
9	5301524	UNION ELBOW
10	7403602	TAP
11	7303025	INJECTOR D 0,8
11	7303026	INJECTOR D 1,1
12	5224416	PORTAGICLEUR 1/4
13	7402410	GAS RG10 REGULATOR
14	5302009	STRAIGHT FITTING M12 X 1/4
15	7371519	KNOB
16	5037846LW	TAP SUPPORT
17	5162372LL	TUBE TAP/REGULATOR GAS RG10 3GR
18	5037823LL	BURNER SUPPORT
19	7816002	SCREW TCEI M4X12 UNI 5931 A2
20	5225308	FITTING M13X1/4"G
21	5221869	WASHER D14 X 20 X 1.5 COPPER
22	5221821	NUT 1/4
23	5163211LL	RUBBER-HOLDER HOSE
24	5163327LL	GAS TUBE TAP ENTRY FITTING
25	5037825LL	BURNER HOLDER
26	5037827	RIGHT SUPPORT
27	7816002	SCREW TCEI M4X12 UNI 5931 A2
28	7400302	PIEZO IGNITION WITH NUT
29	7400305	IGNITION CANDLE

BEZZERA

B2013

TABLE 14C - (up to 22/05/2015)
B2013 Gas 3GR



BEZZERA**B2013**TABLE 14C - (up to 22/05/2015)
B2013 Gas 3GR

POS	CODE	DESCRIPTION
30	5479917	CLIPS
31	7403003	THERMOCOUPLE L=600

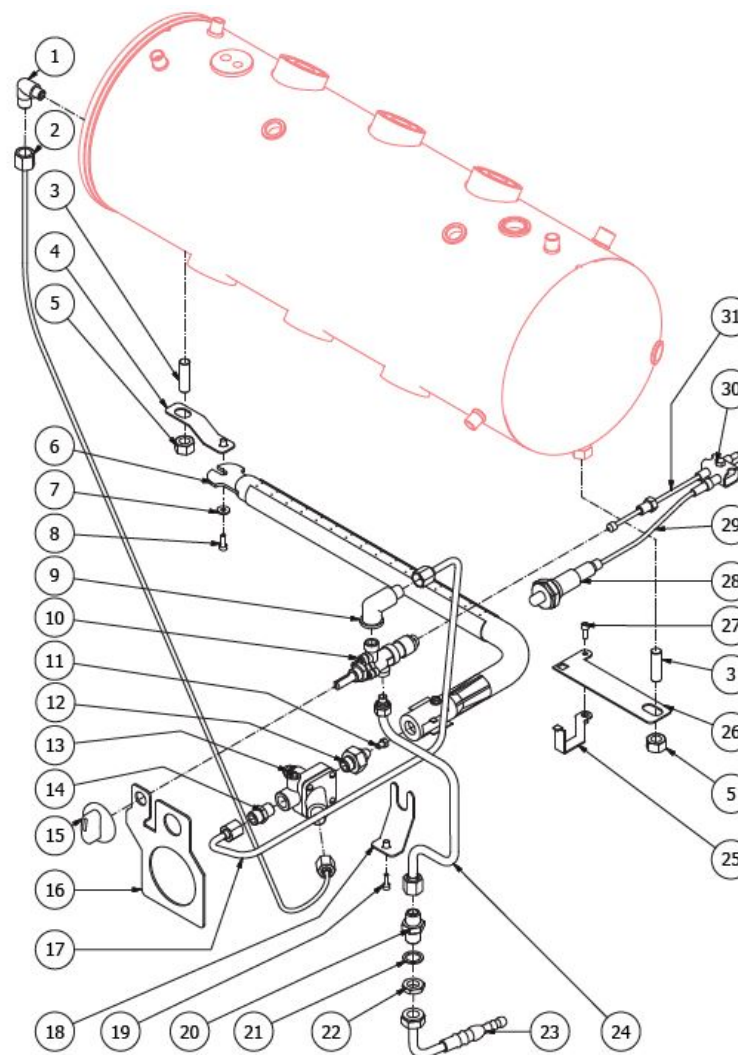
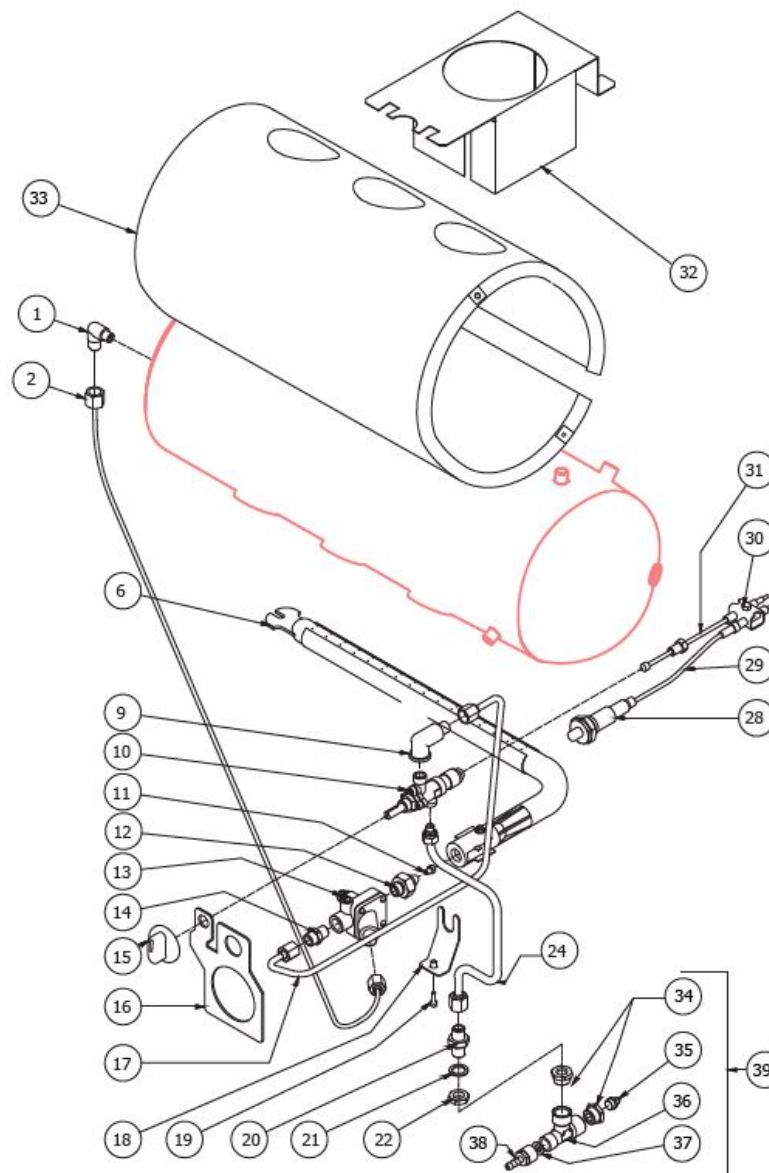
BEZZERA**B2013**TABLE 14C - (up to 22/05/2015)
B2013 Gas 3GR

TABLE 14D - (from 23/03/2015)
B2013 Gas 3GR

POS	CODE	DESCRIPTION
1	5301504TR	UNION ELBOW 1/8
2	5161022LL	BOILER-REGULATOR HOSE
6	7400605.01	BURNER 3GR 56+56 HOLES D1.8
9	5301524	UNION ELBOW
10	7403602	TAP
11	7303026	INJECTOR D 1,1
11	7303051	GAS INJECTOR D1,75
12	5224416	PORTAGICLEUR 1/4
13	7402410	GAS RG10 REGULATOR
14	5302009	STRAIGHT FITTING M12 X 1/4
15	7371519	KNOB
16	5037846LW	TAP SUPPORT
17	5162374LL	REGULATOR-JET/BURNER HOSE
18	5037823LL	BURNER SUPPORT
19	7816002	SCREW TCEI M4X12 UNI 5931 A2
20	5225308	FITTING M13X1/4"G
21	5221869	WASHER D14 X 20 X 1.5 COPPER
22	5221821	NUT 1/4
24	5163333LL	HOSE TAP/FITTING
28	7400302	PIEZO IGNITION WITH NUT
29	7400306	CANDLE
30	7401209	CLIPS
31	7403005	THERMOCOUPLE
32	5051201LW	FUME CONVEYOR 3GR
33	5033011LW	BOILER COVERING 3GR
34	5302086	FITTING 1/2
35	5302087	PRESSURE POINT 1/4
36	5300516	FITTING TEE 1/2
37	5492021	GASKET D18x10x2
38	5224417	RUBBERBRING 1/2

TABLE 14D - (from 23/03/2015)
B2013 Gas 3GR

BEZZERA**B2013**

TABLE 14D - (from 23/03/2015)
 B2013 Gas 3GR

POS	CODE	DESCRIPTION
39	5163211	SHAPED HOSE GAS ASSEMBLY NEW
39	5963151	ASSY TEE GAS+TEST POINT

BEZZERA**B2013**

TABLE 14D - (from 23/03/2015)
 B2013 Gas 3GR

